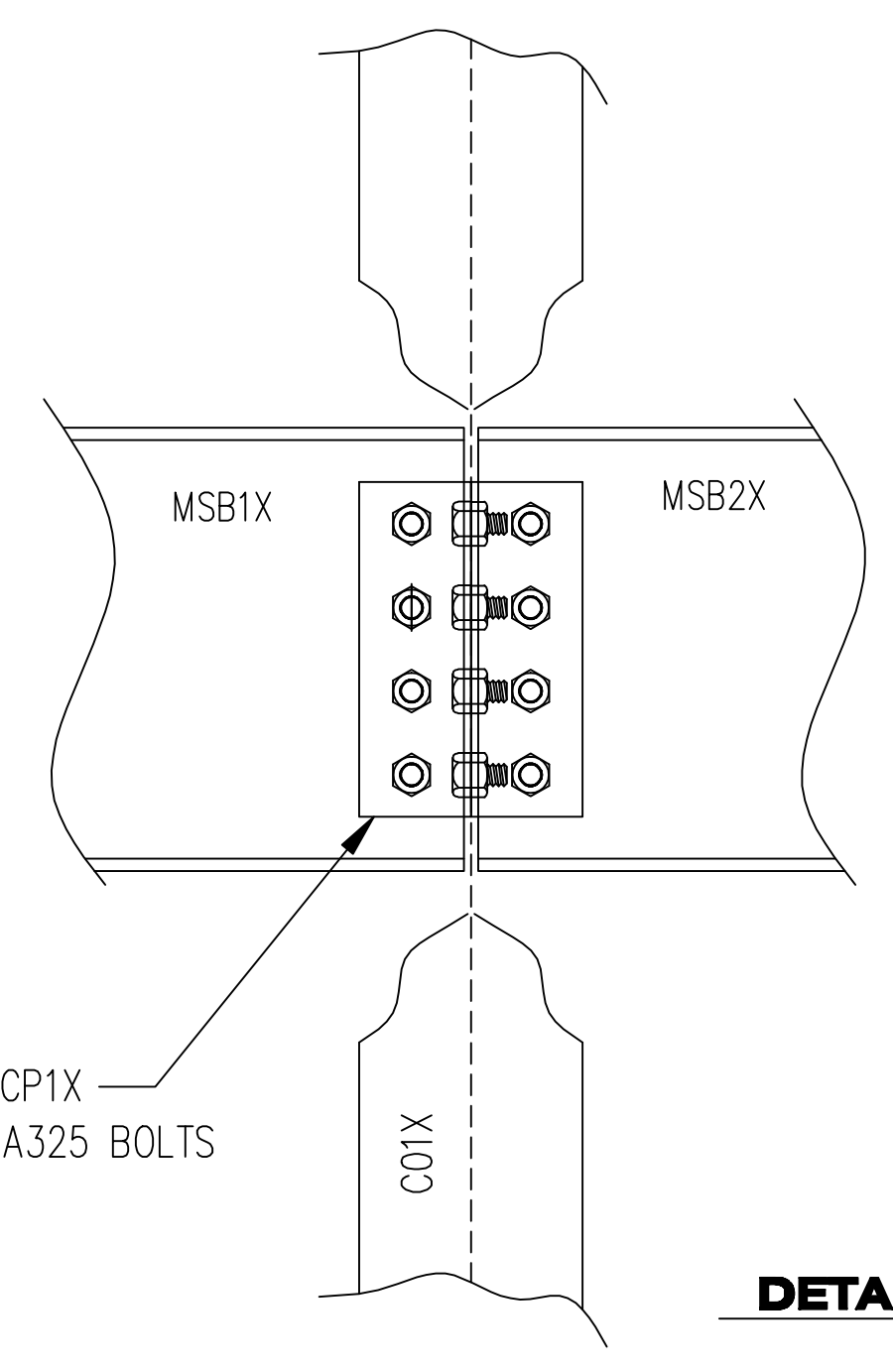
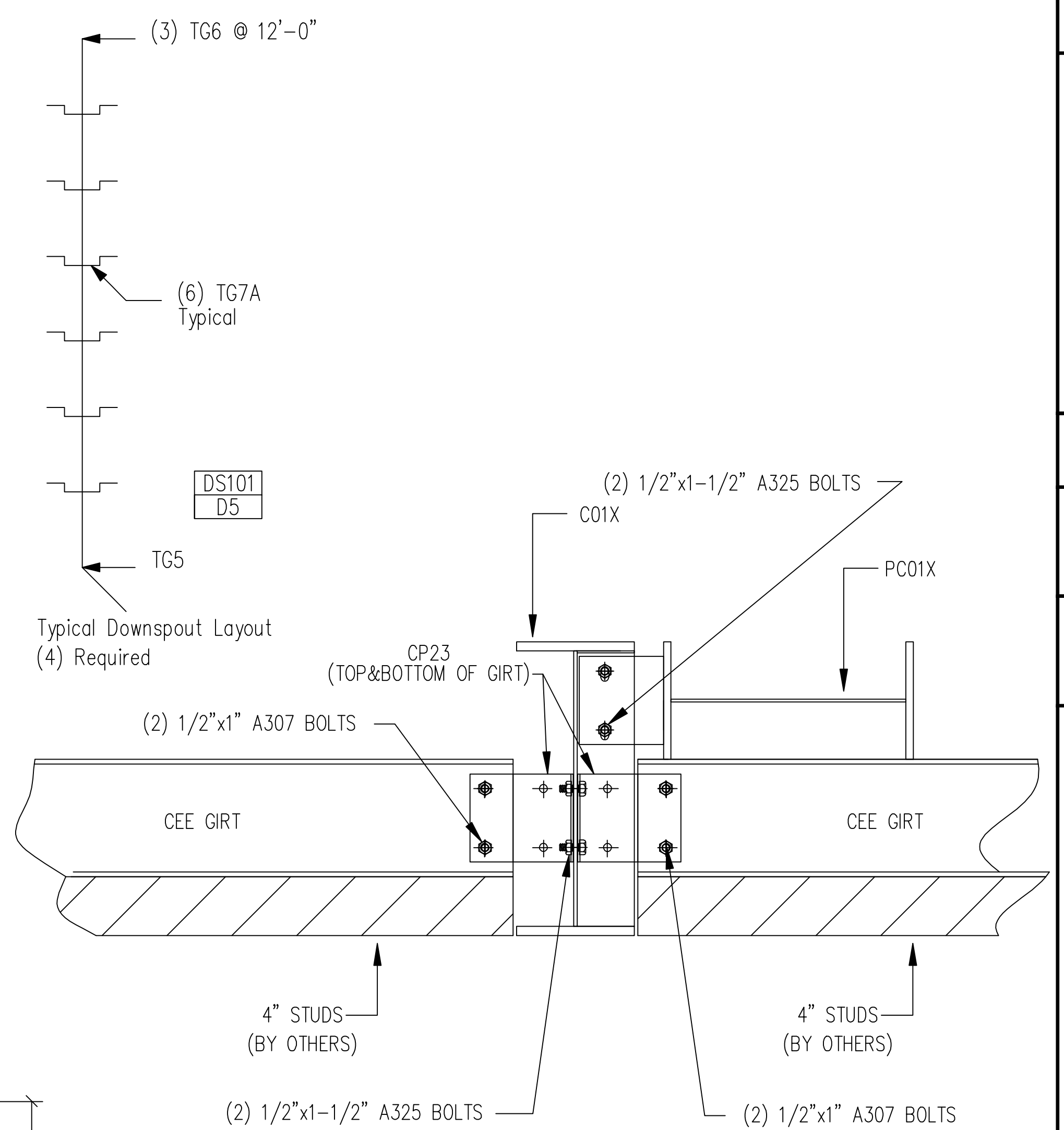
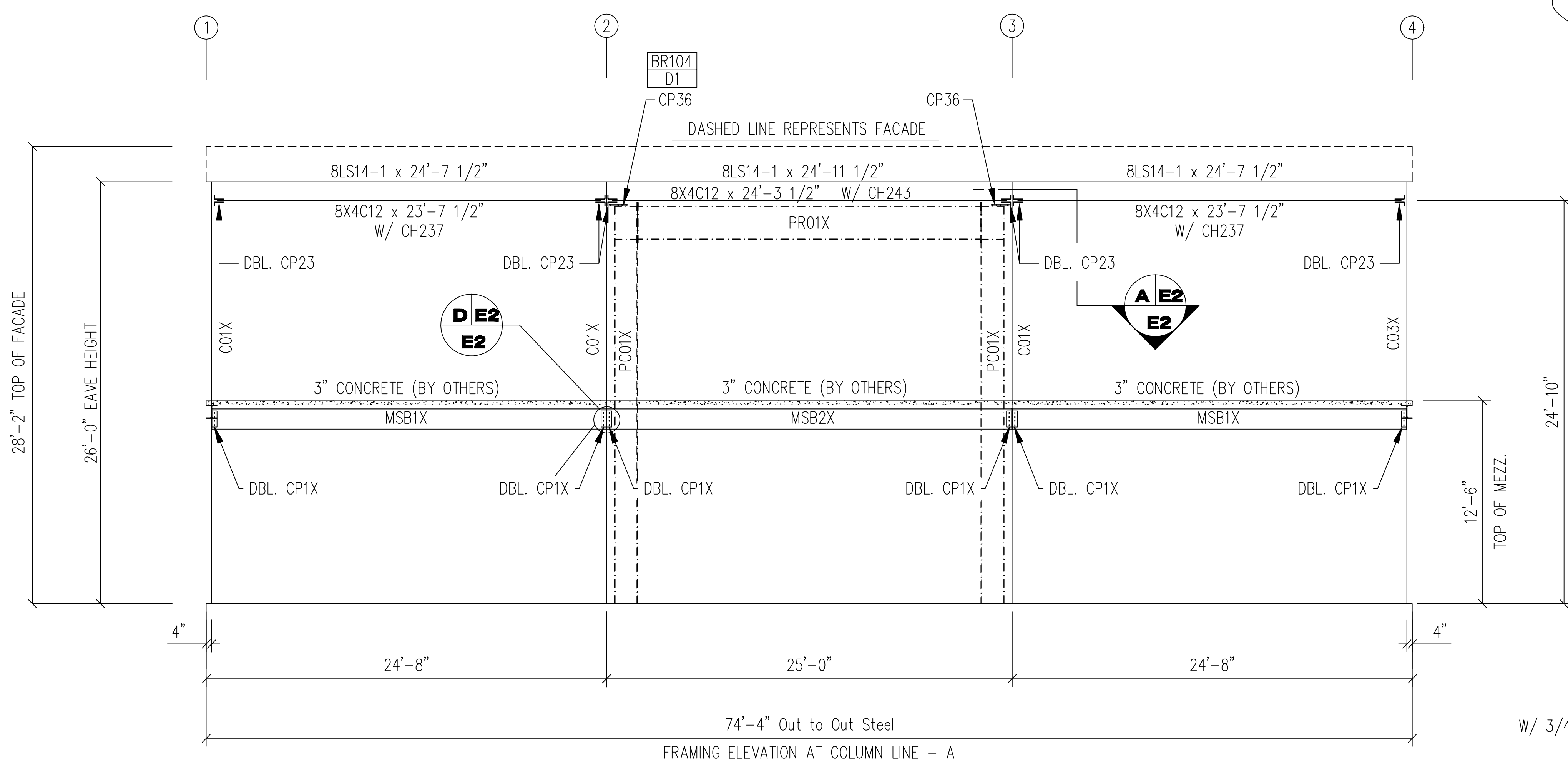
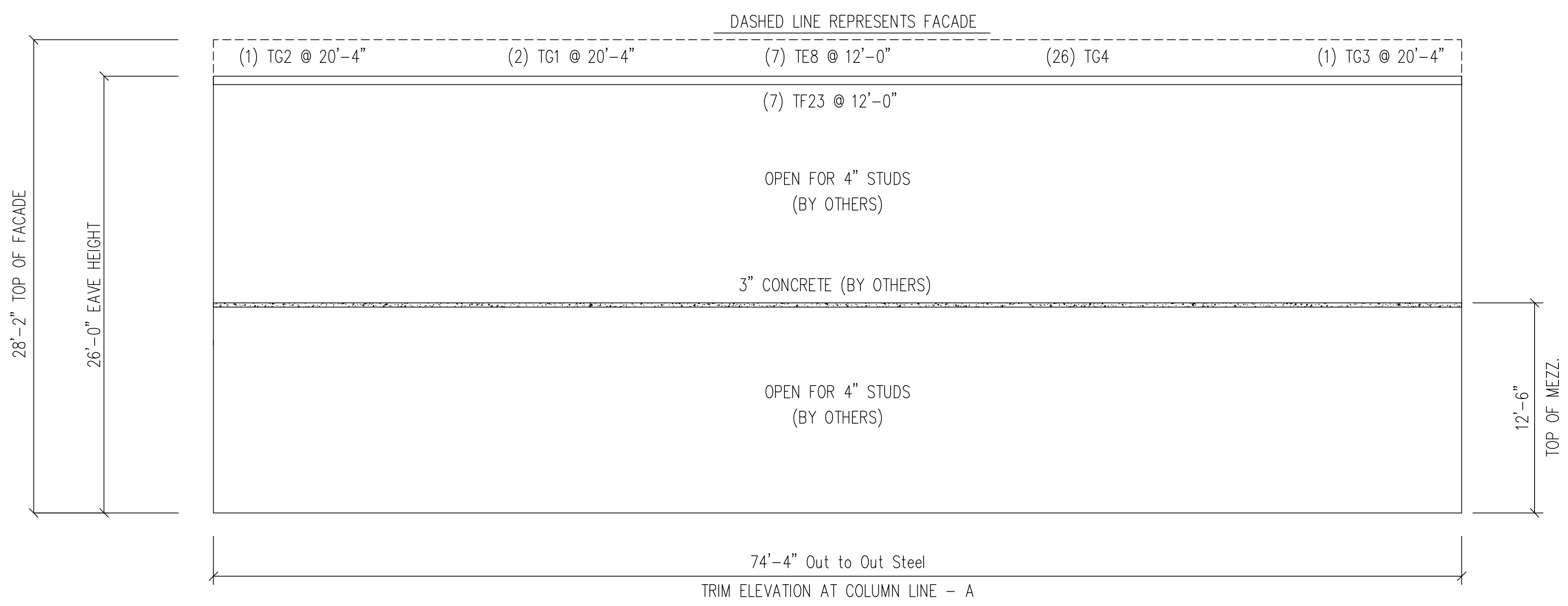


FACADE TRIM AND FASCIA PANELS BY OTHERS



REVISION	DWN. CKD.	DATE

REV.	SHEET	JOB	JOB NAME	JOB LOCATION	DATE	DATE	DATE	SCALE
0	E2 OF 11	R-4462	HAIR SALON SUPPLIES	SLIDELL, LA.				NTS

PERMIT/APP	DATE
MY	2/13/12

DATE	DATE	DATE

ERECTOR SHEET

RUFFIN BUILDING SYSTEMS

Hwy. 2 West - Oak Grove, La. - (318)428-2305

APPROVED

PROFESSIONAL ENGINEER