

# 12" Ellipsoidal One Lamp MH Downlights **1062M11**

One 400W ED-37 or BT-37 MH Lamp  
120V or 277V

DATE: \_\_\_\_\_ TYPE: \_\_\_\_\_  
 FIRM NAME: \_\_\_\_\_  
 PROJECT: \_\_\_\_\_

**Architektür**

Ceiling Cutout: 12<sup>1</sup>/<sub>4</sub>"  
 Maximum Ceiling Thickness: 1<sup>1</sup>/<sub>4</sub>"  
 For conversion to millimeters,  
 multiply inches by 25.4  
 Not to Scale

### APPLICATIONS:

The Architektür 1061M Series offers a high wattage lensed ellipsoidal metal halide downlight that provides superior brightness and glare control. This luminaire is ideal for a wide variety of high ceiling applications including commercial, retail, and hospitality areas.

### HOUSING:

Diecast aluminum plaster flange and heat sink. .050" spun aluminum diffuse Alzak® upper reflector. Prewired J-box. Thermal protector. Thumbnuts (2 at 180°) allow housing to be removed for access to junction box or ballast.

### REFLECTOR:

High purity aluminum Alzak reflector. Removable one-piece baffle or cone with white polypropylene trim ring.

### BALLAST:

Encased and potted H.P.F. dual tapped ballast with constant wattage auto-transformer (CWA). Accessible from below ceiling.

### LAMP:

One (1) 400W ED-37 or BT-37 coated metal halide lamp. Lamp furnished by others. Top relampable.

### SOCKET:

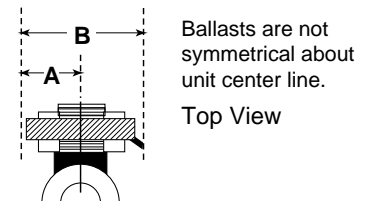
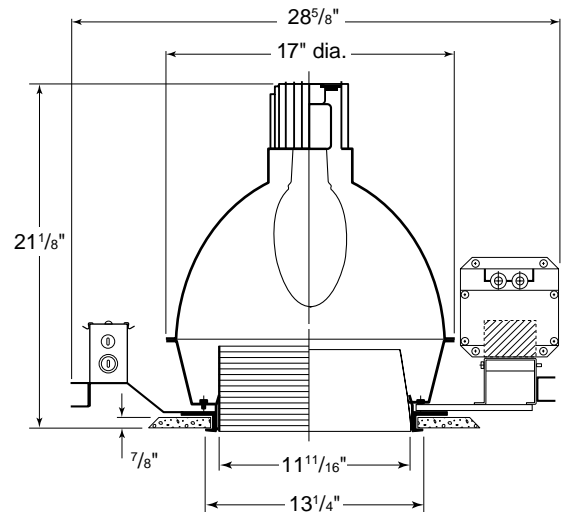
Mogul base porcelain socket with nickel plated screw shell.

### INSTALLATION:

Universal mounting brackets accept 1/2" EMT conduit or 1 1/2" lathing channels (by others), or Prescolite 24" bar hangers (B24 or B6).

### LABELS:

UL, CSA listed  
 Suitable for damp locations  
 Approved for through wiring  
 Thermally protected  
 Non-IC rated



|            | A                                  | B                                  |
|------------|------------------------------------|------------------------------------|
| Silent Pak | 8 <sup>1</sup> / <sub>2</sub> "    | 17"                                |
| FE Ballast | 11 <sup>27</sup> / <sub>32</sub> " | 21 <sup>15</sup> / <sub>32</sub> " |

| HOUSING   | HOUSING OPTIONS   | BALLAST  | REFLECTORS  | REFLECTOR OPTIONS  | ACCESSORIES   |
|---|---|--|---|--|---|
| <input type="checkbox"/> <b>1062M11</b><br>12" (1) 400W E-37/BT-37 MH fixture | <input type="checkbox"/> <b>DCB</b><br>Auxiliary socket (see note on back page)<br><input type="checkbox"/> <b>FSDFA</b><br>Fuse kit installed at factory<br><input type="checkbox"/> <b>QR</b><br>Quartz restrike (see note on back page)<br><input type="checkbox"/> <b>347V</b><br>Contact factory | <input type="checkbox"/> <b>400MHFE</b><br>400W 120V/277V FE magnetic ballast<br><input type="checkbox"/> <b>Silent Pak</b><br>For Silent Pak ballasts, remove "FE" from ordering code | <input type="checkbox"/> <b>ST847</b><br>Specular clear Alzak reflector<br><input type="checkbox"/> <b>WT846</b><br>Black Alzak cone<br><input type="checkbox"/> <b>WT840</b><br>Black baffle | <input type="checkbox"/> <b>TRG</b><br>Trim ring gasket (factory installed)<br><input type="checkbox"/> <b>WT</b><br>Painted white trim (substitute WT for ST) | <input type="checkbox"/> <b>B24</b><br>Set of two (2) 24" bar hangers for T-bar ceilings<br><input type="checkbox"/> <b>B6</b><br>Set of two (2) bar hangers for ceiling joists up to 24" centers<br><input type="checkbox"/> <b>FSDFI</b><br>Fuse kit for field installation<br><input type="checkbox"/> <b>SCA12D</b><br>Sloped ceiling adapter (see note on back page) |

# PHOTOMETRIC DATA

# Architektür - 12" Ellipsoidal MH Downlights - 1062M11

## BALLAST DATA

400W

**120V      277V**

|                             |         |         |
|-----------------------------|---------|---------|
| Total Factor                | >90%    | >90%    |
| Regulation: Line Voltage    | + -5%   | + -5%   |
| Output Wattage              | + -10%  | + -10%  |
| Min. Ambient Starting Temp. | -30 C   | -30 C   |
| Input Watts                 | 460W    | 460W    |
| Input Amps                  | 3.9 amp | 1.7 amp |
| Sound Rating                | C       | C       |

## LAMP DATA

|                |        |
|----------------|--------|
| Rated Watts    | 400W   |
| Rated Lumens   | 36,500 |
| Efficacy (LPW) | 91     |
| Rated Life     | 20,000 |
| CRI            | 70     |

## 1062M11-400MHFE-847 Clear Reflector

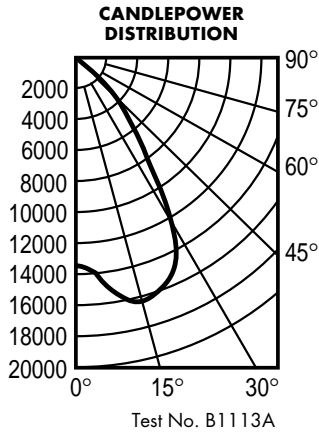
400W ED-37  
 Rated Lumens: 34000 ea.  
 Spacing Criteria: 1.10

## AVERAGE INITIAL FOOTCANDLES

Multiple Units (Square Array)  
 Ceiling 80% Wall 50% Floor 20%

400W ED-37

| SPACING | RCR1 | RCR3 | RCR7 |
|---------|------|------|------|
| 13.0    | 103  | 87   | 64   |
| 14.0    | 89   | 75   | 55   |
| 15.0    | 77   | 65   | 48   |
| 16.0    | 68   | 57   | 42   |
| 17.0    | 60   | 51   | 37   |



**CANDLEPOWER SUMMARY**

| Angle | Mean CP | Lumens |
|-------|---------|--------|
| 0     | 13742   |        |
| 5     | 14164   | 1346   |
| 15    | 16327   | 4621   |
| 25    | 15451   | 7154   |
| 35    | 8931    | 5609   |
| 45    | 3620    | 2802   |
| 55    | 828     | 743    |
| 65    | 27      | 27     |
| 75    | 0       | 0      |
| 85    | 0       | 0      |

## COEFFICIENTS OF UTILIZATION

Zonal Cavity Method

| Room Cavity Ratio | % Effective Floor Cavity Reflectance   |     |     |     |     |     |     |     |     |     |     |     |     |     |     |     |     |
|-------------------|--|-----|-----|-----|-----|-----|-----|-----|-----|-----|-----|-----|-----|-----|-----|-----|-----|
|                   | 80%                                    |     | 70% |     | 50% |     | 30% |     | 10% |     |     |     |     |     |     |     |     |
|                   | 20% Effective Floor Cavity Reflectance |     |     |     |     |     |     |     |     |     |     |     |     |     |     |     |     |
|                   | % Wall Reflectance                     |     |     |     |     |     |     |     |     |     |     |     |     |     |     |     |     |
|                   | 70                                     | 50  | 30  | 10  | 70  | 50  | 30  | 10  | 50  | 30  | 10  | 50  | 30  | 10  |     |     |     |
| 1                 | .75                                    | .73 | .72 | .71 | .73 | .72 | .71 | .69 | .69 | .68 | .67 | .67 | .66 | .65 | .65 | .64 | .63 |
| 2                 | .72                                    | .69 | .67 | .65 | .71 | .68 | .66 | .64 | .66 | .64 | .63 | .64 | .63 | .61 | .62 | .61 | .60 |
| 3                 | .69                                    | .65 | .62 | .60 | .68 | .64 | .62 | .60 | .63 | .61 | .59 | .61 | .59 | .58 | .60 | .58 | .57 |
| 4                 | .66                                    | .61 | .58 | .56 | .65 | .61 | .58 | .55 | .59 | .57 | .55 | .58 | .56 | .54 | .57 | .55 | .54 |
| 5                 | .63                                    | .58 | .55 | .52 | .62 | .57 | .54 | .52 | .56 | .54 | .51 | .55 | .53 | .51 | .54 | .52 | .51 |
| 6                 | .60                                    | .55 | .51 | .49 | .59 | .54 | .51 | .49 | .53 | .50 | .48 | .53 | .50 | .48 | .52 | .49 | .48 |
| 7                 | .57                                    | .52 | .48 | .46 | .57 | .51 | .48 | .46 | .50 | .47 | .45 | .50 | .47 | .45 | .49 | .47 | .45 |
| 8                 | .55                                    | .49 | .45 | .43 | .54 | .48 | .45 | .42 | .48 | .44 | .42 | .47 | .44 | .42 | .46 | .44 | .42 |
| 9                 | .52                                    | .46 | .42 | .40 | .51 | .45 | .42 | .40 | .45 | .41 | .39 | .44 | .41 | .39 | .44 | .41 | .39 |
| 10                | .47                                    | .41 | .37 | .34 | .46 | .40 | .37 | .34 | .40 | .36 | .34 | .39 | .36 | .34 | .39 | .36 | .34 |

1062M11-400MHFE-847

Test No. B1113A

## NOTES

The DCB option uses a quartz T-4 lamp to provide emergency light during power outages. The DCB socket must be field wired into an auxiliary emergency power supply circuit for emergency use.

The QR option uses a quartz T-4 lamp to provide light continuously during cold start or hot restrike until the HID lamp is at approximately 70% or more of its rated light output.

When ordering a sloped ceiling adapter, specify the degree of slope in 5° increments (max of 35°). For a more precise degree or wet ceiling application, please contact factory. The SCA must be installed during housing installation.



Web: [www.prescolite.com](http://www.prescolite.com) • Tech Support: (888) 777-4832

101 Corporate Drive, Suite L • Spartanburg, SC 29303 U.S.A. • Phone (864) 599-6000

Prescolite is an affiliate of Hubbell Lighting, Inc., with representatives' offices throughout North America  
 Copyright ©2003 Prescolite, All Rights Reserved • Specifications subject to change without notice. • Printed in U.S.A. • ARCHID-018 • 03/03



Hubbell Lighting, Inc.