



Designation: D 3983 – 98

Standard Test Method for Measuring Strength and Shear Modulus of Nonrigid Adhesives by the Thick-Adherend Tensile-Lap Specimen¹

This standard is issued under the fixed designation D 3983; the number immediately following the designation indicates the year of original adoption or, in the case of revision, the year of last revision. A number in parentheses indicates the year of last reapproval. A superscript epsilon (ϵ) indicates an editorial change since the last revision or reapproval.

1. Scope

1.1 This test method describes a method of measuring the shear modulus and rupture stress in shear of adhesives in bonded joints. The method employs lap-shear specimens with wood, metal, or composite adherends, with adhesives having shear moduli ranging up to 700 MPa (100 000 psi). This test method is suitable generally for joints in which the ratio of adherend tensile modulus to adhesive shear modulus is greater than 300 to 1. It is not suitable for adhesives that have a high shear modulus in the cured state and that also require elimination of volatile constituents during cure.

1.2 The values stated in SI units are to be regarded as standard. The values given in parentheses are for information only.

1.3 *This standard does not purport to address all of the safety concerns, if any, associated with its use. It is the responsibility of the user of this standard to establish appropriate safety and health practices and determine the applicability of regulatory limitations prior to use.*

2. Referenced Documents

2.1 ASTM Standards:

- D 143 Methods of Testing Small Clear Specimens of Timber²
- D 905 Test Method for Strength Properties of Adhesive Bonds in Shear by Compression Loading³
- D 907 Terminology of Adhesives³
- D 1151 Test Method for Effect of Moisture and Temperature on Adhesive Bonds³
- D 2651 Guide for Preparation of Metal Surfaces for Adhesive Bonding³
- E 6 Terminology Relating to Methods of Mechanical Testing⁴

E 83 Practice for Verification and Classification of Extensometers⁴

E 104 Practice for Maintaining Constant Relative Humidity by Means of Aqueous Solutions⁵

E 229 Test Method for Shear Strength and Shear Modulus of Structural Adhesives³

3. Terminology

3.1 *Definitions*—For definitions of terms used in this test method, refer to Terminologies E 6 and D 907.

3.1.1 *initial tangent modulus, n*—the slope of the stress-strain curve at the origin.

3.1.2 *nominal stress, n*—the stress at a point calculated on the net cross section by simple elastic theory without taking into account the effect on the stress produced by discontinuities such as holes, grooves, fillets, etc.

3.1.3 *normal stress, n*—the stress component perpendicular to a plane on which the forces act, that is, the plane of the bondline.

3.1.4 *proportional limit, n*—the maximum stress that a material is capable of sustaining without significant deviation from proportionality of stress to strain.

3.1.5 *secant modulus, n*—the slope of the secant drawn from the origin to any specified point on the stress-strain curve.

3.1.5.1 *Discussion*—Modulus is expressed in force per unit area (MPa, lb/in.², etc.).

3.1.6 *shear modulus, n*—the ratio of shear stress to corresponding shear strain below the proportional limit. (Compare *secant modulus*.)

3.1.6.1 *Discussion*—The term shear modulus is generally reserved for materials that exhibit linear elastic behavior over most of their stress-strain diagram. Many adhesives exhibit curvilinear or nonelastic behavior, or both, in which case some other term, such as secant modulus, may be substituted.

3.1.7 *shear strain, n*—the tangent of the angular change, due to force, between two lines originally perpendicular to each other through a point in the body.

3.1.7.1 *Discussion*—Shear strain equals adherend slip/adhesive layer thickness.

¹ This test method is under the jurisdiction of ASTM Committee D-14 on Adhesives and is the direct responsibility of Subcommittee D14.70 on Construction Adhesives.

Current edition approved March 10, 1998. Published February 1999. Originally published as D 3983 – 81. Last previous edition D 3983 – 93.

² *Annual Book of ASTM Standards*, Vol 04.10.

³ *Annual Book of ASTM Standards*, Vol 15.06.

⁴ *Annual Book of ASTM Standards*, Vol 03.01.

⁵ *Annual Book of ASTM Standards*, Vol 11.03.

3.1.8 *shear strength, n*—in an adhesive joint, the maximum average stress when a force is applied parallel to the joint.

3.1.8.1 *Discussion*—In most adhesive test methods, the shear strength is actually the maximum average stress at failure of the specimen, not necessarily the true maximum stress in the material.

3.1.9 *shear stress, n*—the stress component tangential to the plane of which the forces act, that is, the plane of the bondline.

3.1.9.1 *Discussion*—Nominal shear stress equals load/bond area.

3.1.10 *strain, n*—the unit change due to force, in the size or shape of a body referred to its original size or shape.

3.1.11 *stress, n*—the intensity at a point in a body of the internal forces or components of force that act on a given plane through the point.

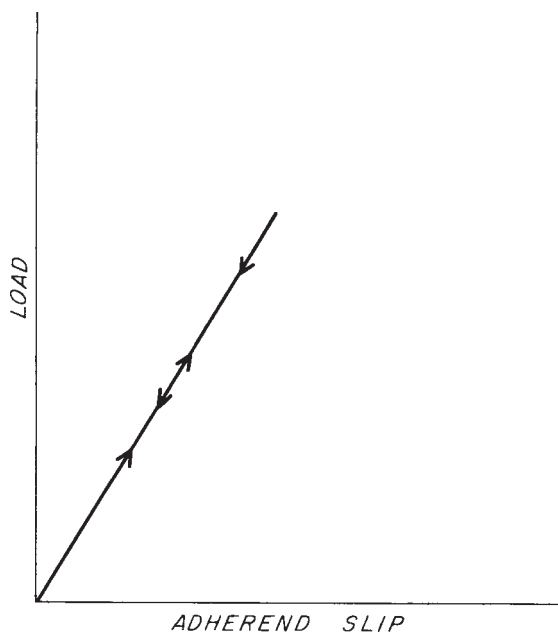
3.1.12 *stress-strain diagram, n*—a diagram in which corresponding values of stress and strain are plotted against each other. Values of stress are usually plotted as ordinates (vertically) and values of strain as abscissas (horizontally).

3.2 *Definitions of Terms Specific to This Standard:*

3.2.1 *load, n*—the force applied to the specimen at any given time.

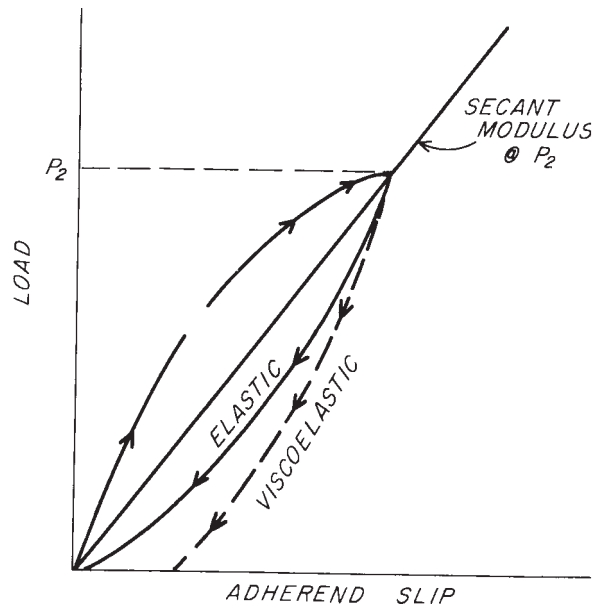
3.2.2 *load-slip diagram, n*—a diagram in which corresponding values of load and slip are plotted against each other. Values of load are usually plotted as ordinates (vertically) and values of slip as abscissas (horizontally).

3.2.2.1 *Discussion*—Stress-strain behavior is commonly recorded in the form of a load-slip diagram. The difference between the two is simply one of scale. Load is divided by bond area to obtain stress and slip is divided by adhesive layer thickness to obtain strain. Examples of various types of load-slip diagrams and modulus are shown in Figs. 1-3.



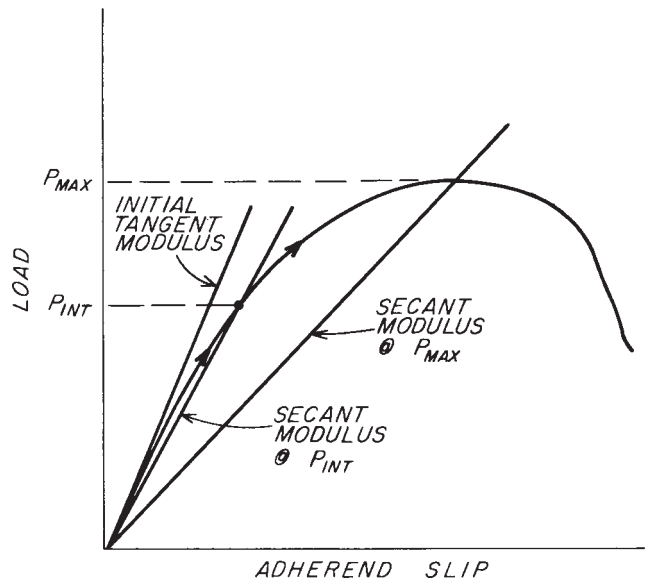
NOTE 1—Case load and unload diagrams and modulus line are congruent.

FIG. 1 Load-Slip Diagram of Linear Elastic Adhesive Under Cyclic Low-Level Loading



NOTE 1—The modulus is represented by the secant modulus line at some load P_2 less than the load to cause failure.

FIG. 2 Load-Slip Diagram of Nonlinear Adhesive Under Cyclic Low-Level Loading Showing Both Elastic and Viscoelastic Recovering Diagrams



NOTE 1—The modulus may be represented by the initial tangent, the secant drawn to the ultimate load, or the secant drawn to some intermediate load.

FIG. 3 Load-Slip Diagram of Adhesive Loaded to Failure

3.2.3 *rate of strain, n*—rate of slip per unit adhesive thickness.

3.2.4 *slip, n*—the relative collinear displacement of the adherends on either side of the adhesive layer in the direction of the applied load.

3.3 *Symbols:* Symbols:

3.3.1 c = half the overlap length = $L/2$, mm or in.

3.3.2 \hat{G} = estimate of shear modulus of adhesive, MPa or psi.

- 3.3.3 G = shear modulus of adhesive, MPa or psi.
- 3.3.4 E = tensile modulus of adherend, MPa or psi.
- 3.3.5 t = thickness of adherend, mm or in.
- 3.3.6 η = thickness of adhesive, mm or in.
- 3.3.7 P_{\max} = failure load for the bond, N or lbf.
- 3.3.8 L = overlap length, mm or in.
- 3.3.9 A = bond area, mm² or in.²
- 3.3.10 δ = adherend slip at load equivalent to $0.1 P_{\max}$, mm or in.
- 3.3.11 $\bar{\tau}_{\max}$ = maximum nominal shear stress sustained by the bond, MPa or psi.

4. Summary of Test Method

4.1 Lap-shear specimens are prepared with the adhesive in question using selected adherends. The load-deformation properties of the specimens are measured under specific recommended conditions to yield a “first estimate” of adhesive shear modulus. This estimate is used to determine the optimized joint geometry for best attainable uniformity of stress distribution in the joint. A second set of specimens is prepared having the optimized joint geometry. The final values for load-deformation properties are then measured under a variety of controlled environmental and experimental conditions.

4.2 The test method is based upon the theoretical analysis by Goland and Reissner⁶ relating stress concentrations (that is, nonuniformity) in single-lap joints to the geometry of the joint and the mechanical properties of the materials involved. The controlling factor in the Goland and Reissner equations is a composite of essentially three ratios which can be manipulated to improve the stress uniformity in the joint, and thereby control the accuracy of measurement. Stress uniformity is improved by (1) increasing the adherend tensile modulus in relation to the shear modulus of the adhesive, and by (2) increasing adherend and adhesive thickness while minimizing overlap length. Because of these relationships, the practice was developed to use high-modulus adherends in thick cross sections.

5. Significance and Use

5.1 This test method is capable of providing shear modulus and shear strength values for adhesives with accuracy suitable for use by design engineers in predicting the characteristics of building assemblies bonded with nonrigid adhesives. Adhesive formulators will also find the method useful during the development of new adhesive systems. In general, the thick adherend lap-shear test is a useful tool in research during studies of both short- and long-term load-deformation proper-

ties of adhesives. This thick adherend lap-shear test yields a uniformity of stress distribution approaching that obtained in thin tubular butt joints subjected to torsion, which is considered to be a condition of pure shear.

5.2 The user is cautioned that pure shear strength cannot be obtained by this test method, because some tensile and compression stresses and stress concentrations are present in the joint. The estimate of shear strength by this test method will be conservative. If pure shear strength is demanded, then Test Method E 229 should be used.

6. Equipment

6.1 *Test Machine*— A tension test machine with electronic load cell capacities of 0 to 100 and 0 to 1000 kg (0 to 200 and 0 to 2000 lb) is satisfactory for this test method. The machine should have a loading rate capability of 0 to 200 kg/min (0 to 400 lb/min) or a crosshead movement rate of 0 to 1 mm/min (0 to 0.040 in./min). Closed-loop control of load level and loading rate, or crosshead position and movement rate, is desirable to facilitate testing under controlled cyclic loading conditions. A working space approximately 450 by 450 mm (18 by 18 in.) is desirable to accommodate the specimen grips and the installation of a chamber for environmental control. In-line tension grips, shown in Fig. 4, are used for transmitting the load to the specimen.

6.2 Slip Gage and Signal Conditioner:

6.2.1 The shear strain in adhesive layers is usually small. Thin layers of relatively rigid adhesives (greater than 50 MPa (7000 psi)) require an ASTM Class A extensometer. Class B-1 or B-2 extensometers suffice for thicker layers and more flexible adhesives. Extensometer classes are described in Practice E 83.

6.2.2 A mechanical-electrical transducer, the linear variable differential transformer (LVDT), is well suited for these tests. The LVDT with suitable signal conditioning will satisfy the requirements of Class B and A extensometers. They are rugged enough to remain fastened to the specimen through failure if the gage is properly designed.

6.2.2.1 The LVDT should have a linear output over a displacement range of ± 2.5 mm (± 0.10 in.) to accommodate adhesive layers varying in shear modulus and thickness.

6.2.2.2 The LVDT transducers with signal conditioner should provide several ranges of displacement resolution—between 0.0005 and 0.5 mm/cm (5×10^5 and 0.05 in./m) of chart paper.

6.2.3 The slip gage shall employ two LVDTs as described in 6.2.2, positioned in such a manner as to measure and compensate for rotation of the adherends as well as slip.

6.2.4 A gage design that has been found to compensate satisfactorily for adherend rotation is shown in Fig. 5, Fig. A1.1, and Fig. A1.2. The gage consists of three components:

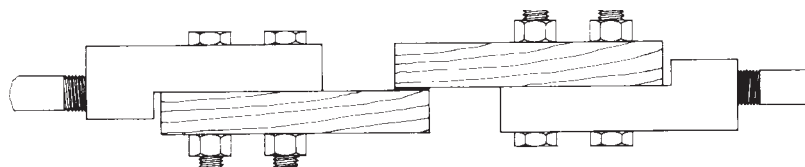


FIG. 4 Incline Tension Grips with Specimen Bolted in Place Ready for Testing

⁶ Goland, M., and Reissner, E., “The Stresses in Cemented Joints,” *Journal of Applied Mechanics*, November 1944, pp. A17–A27.

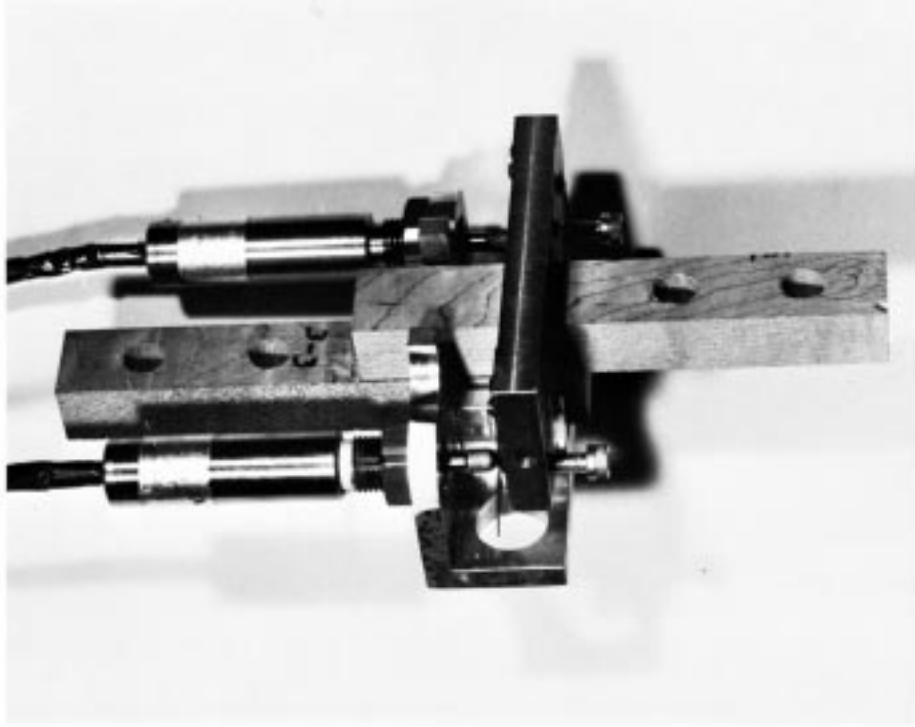


FIG. 5 Dual Transducer Slip Gage Mounted on a Thick Adherend Lap Specimen

the gage itself on which two LVDTs are mounted, the follower, and a gage block. The gage and follower attach to opposing adherends by clamping knife edges. One knife edge on each component may be advanced or retracted by a captive screw. The gage block is placed between the gage and follower to align the knife edges. The gage is clamped to the stationary or downward moving adherend and the follower to the upward moving adherend, so the LVDT core moves out of the LVDT during loading. This prevents damage to the LVDT upon failure of the specimen. The follower is equipped with a knurled adjustment screw for each LVDT. These screws are used to null mechanically and electrically each LVDT prior to testing.

6.2.5 The slip gage shall be equipped with a switching and signal-conditioning device to permit recording the signal from each LVDT individually or the sum of the signals.

6.2.6 The LVDTs and slip gage components should be fabricated of corrosion-resistant materials.

6.3 *X-Y Recorder*— A general-purpose *X-Y* recorder with inputs compatible with the outputs of the load cell and slip gage is required. The load is connected to the recorder of the *Y*-axis and the LVDTs to the *X*-axis. The recorder should have several precalibrated input ranges and a preamplifier to scale the transducer signals conveniently. The required ranges will depend upon the voltage output of the load cells and the LVDT transducers and their signal conditioner.

6.4 *Environmental Chamber:*

6.4.1 A controlled test environment is required to determine the effects of temperature and moisture and to minimize variability in test results due to changes in environmental conditions.

6.4.2 The combined test chamber and conditioning unit should be capable of maintaining a constant temperature within the limits from 23 to $71 \pm 1^\circ\text{C}$ (80 to $160 \pm 2^\circ\text{F}$), and constant relative humidity within the limits of 44 to $98 \pm 2\%$ at a given temperature.

6.4.3 A suitable test chamber is described in Annex A2.

7. Materials

7.1 *Adherend:*

7.1.1 *Wood*—Hard maple (*Acer saccharum* or *Acer nigrum*) with a minimum specific gravity of 0.60 is the standard wood adherend for this test method. Other dense species with comparable modulus of elasticity such as yellow birch, Douglas fir, western hemlock, or southern pine may be used. The lumber shall be of straight grain and free of defects, including knots, birdseye, short grain, decay, and any unusual discolorations within the shearing area. Criteria for lumber selection shall be those described in Test Method D 905.

7.2 *Metal*—Use cold-rolled steel or aluminum-alloy bar stock, machined to a surface finish of $16\ \mu\text{m}$ or better in the bond area, for adhesives that contain no volatile constituents, and have a shear modulus in the range from 50 to $700\ \text{MPa}$ ($7\ 000$ to $100\ 000\ \text{psi}$).

7.3 *Adhesives*—Any adhesive with a shear modulus not exceeding $50\ \text{MPa}$ ($7000\ \text{psi}$) can be tested using hard maple adherends. More rigid adhesives can be tested using stiffer although nonpermeable adherends if the adhesive does not require the elimination of volatile solvents during cure. In this case, adhesives with shear modulus in the range from 50 to $250\ \text{MPa}$ ($7\ 000$ to $36\ 000\ \text{psi}$) may be tested with aluminum

adherends. Adhesives having shear modulus in the range from 250 to 700 MPa (36 000 to 100 000 psi) shall be tested with steel adherends.

8. Test Specimen

8.1 The standard adherend for the tension lap-shear specimen shall be a block 150 by 16 by 20 mm (5.9 by 0.63 by 0.79 in.) which can be bonded on the 20-mm face in overlaps ranging from 4 to 50 mm (0.16 to 1.97 in.).

8.2 Drill holes in the lap-shear specimen in order to bolt the specimen firmly to the fixtures of the crosshead and load cell of the test machine.

8.3 Specimen Preparation:

8.3.1 Wood Specimens:

8.3.1.1 Cut lumber into boards 19 by 95 by 350 mm (0.75 by 3.75 by 13.8 in.) with the 350-mm dimension parallel to the grain direction. Condition the boards to an equilibrium moisture content of 7 to 10 %, on an oven-dry weight basis, or to the moisture content recommended by the manufacturer of the adhesive being tested (Note 1). Lightly surface the side of the board to be bonded using a hand-fed jointer having well-sharpened and aligned knives. Surface the opposite face of the board in a planer set to provide a finished board thickness of 16 ± 0.2 mm (0.63 ± 0.008 in.). The planer should be well-maintained with sharp knives and set for minimum thickness variation from one side of the board to the other.

NOTE 1—A procedure for determining moisture content is described in Sections 124 to 127 of Methods D 143.

NOTE 2—For safety as well as accuracy, a carrier board wider and longer than the panel boards, and fitted with a 6-mm (0.25-in.) thick stop on one end, should be used to feed the panel boards through the planer. The carrier board should be carefully conditioned and surfaced accurately for thickness and stored in a conditioned room between uses.

8.3.1.2 After surfacing, cut each board into two blocks 90 by 150 mm (3.54 by 5.91 in.), mark them as a pair, and return them to the conditioning atmosphere. Bond the blocks within 24 h of the time the boards were surfaced.

8.3.1.3 Shims placed between the adherends or used in combination with a gluing jig are required to control bondline thickness. A suitable jig is shown in Fig. 6. Shims are placed between the jig base and the top block (which is clamped in place) to squeeze out excess adhesive, and leave the desired volume of adhesive between the two adherends. The bottom block is free to move upward to allow for bondline shrinkage as volatiles are lost during cure. Adhesive systems with 100 % total solids will require shims equal in thickness to that of the desired bondline. Bonded blocks should remain in the jig for 24 h followed by additional time in the conditioned atmosphere as required to assure full strength development.

8.3.1.4 Different overlap lengths can be produced by saw kerfs through an adherend to the bondline. The method for determining allowable overlap length is described in 11.4.

8.3.1.5 After adjustment of overlap length, the bonded blocks can be cut into specimens 20 mm (0.79 in.) wide to yield four specimens each. Cut specimen ends to length and drill holes for bolt attachment to the test apparatus, as shown in Fig. 7.

NOTE 3—Care must be taken to drill the holes exactly on the central longitudinal axis of each adherend to minimize adherend rotation for this source. The use of a marked jig, centering punch and spur, or doweling drill bit are recommended.

8.3.2 Metal Specimens:

8.3.2.1 Metal specimens shall be bonded from individual adherends rather than being cut from a bonded block as described for wood. Machine single adherends that can be reused from bar stock to the dimensions 20 by 20 by 150 mm (0.79 by 0.79 by 5.91 in.) and grind to a final thickness of 16 ± 0.025 mm (0.63 ± 0.001 in.). Drill holes in one end of each single adherend for bolt attachment to the test machine grips.

8.3.2.2 Before bonding, degrease the surfaces of the adherends and prepare them by the procedure recommended by the adhesive manufacturer, or by one of the procedures described in Guide D 2651. Bond the adherends within 24 h after surface preparation.

8.3.2.3 Bond the individual adherends in a jig similar to that shown in Fig. 6, except that the top and bottom plates of the jig should have slots to align the adherends in the correct position. Pin the two halves of the jig to ensure proper alignment. Control the overlap length by inserting suitably sized blocks at the end of the adherends, away from the bondline. Metal specimens may be bonded by either hot-pressing or cold-pressing. After a suitable postcure period, trim adhesive squeezeout flush with the adherends with a razor blade.

9. Conditioning

9.1 Make load-slip measurements at temperatures and moisture levels designated either by the party requesting these tests, or in the specification calling for this test method.

9.2 In the absence of specific requirements, use as standard conditions $23 \pm 2^\circ\text{C}$ ($73 \pm 4^\circ\text{F}$) and $50 \pm 5\%$ relative humidity. The conditions in Table 1 are recommended for tests to evaluate environmental effect on adhesives for building construction. Further guidelines are provided in Test Method D 1151.

9.3 Specimens are most conveniently conditioned at 23°C (73°F) to the desired equilibrium moisture condition. A satisfactory method is the use of saturated salt solutions in closed containers, as described in Practice E 104. Prior to test, place specimens in equilibrium at 23°C in the test chamber set at the desired temperature and the relative humidity that will result in the same moisture equilibrium as at 23°C . Residence time in the chamber before testing can begin is reduced to the time required to achieve temperature uniformity throughout the specimen.

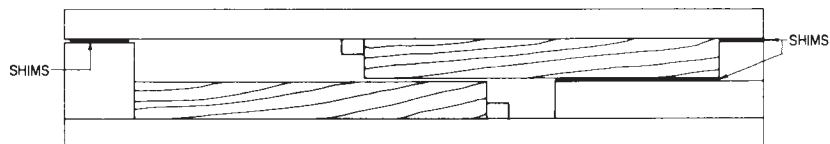


FIG. 6 Gluing Jig for Controlling Initial Wet Glueline Thickness

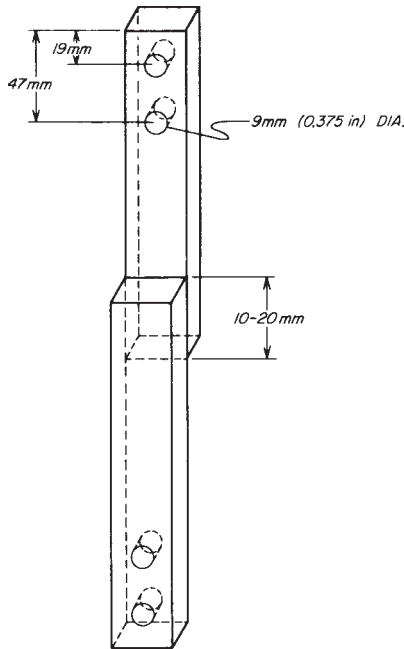


FIG. 7 Standard Thick Adherend Tensile Lap Shear Specimen Showing the 10 to 20-mm Overlap Used to Establish a Trial Shear Modulus

TABLE 1 Relative Humidity Required to Maintain Equilibrium Moisture Contents of Wood at Three Different Temperatures^A

| Wood Equilibrium Moisture Content, % | Relative Humidity, %, Required at | | |
|--------------------------------------|-----------------------------------|--------------|--------------|
| | 23°C (73°F) | 49°C (120°F) | 71°C (160°F) |
| 8 | 44 | 51 | 60 |
| 19 | 87 | 91 | 94 |
| 30 | soak | soak | soak |

^A Values from Table 1 of "Relative Humidity and Equilibrium Moisture Content Graphs and Tables for Use in Kiln Drying Lumber," Forest Products Laboratory Report No. 1651, 1963.

10. Measurement of Bond Dimensions

10.1 Measure the length and width of the bond area to the nearest 0.5 mm (0.02 in.), and calculate the bond area to the nearest 1 mm².

10.2 Measure the bond layer thickness at each of the four corners, and calculate the average thickness. A suitable device for this measurement is a binocular microscope at 80× magnification, fitted with an eyepiece scale having 100 divisions per millimetre.

11. Test Specimen Design

11.1 There are three steps in the specimen design: (1) adherend selection; (2) adhesive shear modulus estimation; and (3) evaluation of joint geometry. These criteria based on Goland and Reissner's⁵ work are developed and discussed in a report by River and Gillespie.⁷

⁷ River, B. H., and Gillespie, R. H., *Measurement of Shear Modulus and Shear Strength of Adhesives*. Report prepared for the Department of Housing and Urban Development, Office of Policy and Research, by the Forest Products Laboratory, Forest Service, U.S. Department of Agriculture, 1978.

11.2 Solvent-dispersed adhesives must bond permeable adherends. In this test method, hard maple is the standard permeable adherend. One hundred percent reactive adhesive may be tested with either wood, aluminum, or steel adherends. The maximum adhesive shear modulus that can be accurately measured is 50 MPa (7250 psi) with maple adherends, 250 MPa (36 000 psi) with aluminum, and 700 MPa (101 500 psi) with steel adherends.

NOTE 4—These limitations are based on the condition of the Goland-Reissner theory that the ratio of adherend thickness over elastic tensile modulus t/E be less than adhesive thickness over 30 times the shear modulus $\eta/30G$ or $t/E < \eta/30G$ assuming a maximum practical adhesive thickness of 1.5 mm (0.06 in.).

11.3 Shear Modulus Estimation:

11.3.1 An estimate of the adhesive shear modulus is required for joint design. Obtain the estimate from specimens having a trial overlap of 20 mm ($c = 10$ mm). Test two to four trial specimens in accordance with Procedure 5 of Table 2. Conduct the tests at 23°C and 50 % relative humidity.

11.3.2 Use data obtained from the load-slip curves to calculate the estimated shear modulus (\hat{G}), as described in 13.1.

11.4 Evaluation of Joint Geometry:

11.4.1 Evaluate the trial specimen design by the parameters ($\hat{G}t/\eta E$) and c/t , using Fig. 8. Calculate ($\hat{G}t/\eta E$) using the estimated shear modulus (\hat{G}), the adherend thickness ($t = 16$ mm), the measured adhesive layer thickness (η), and the adherend tensile modulus (E).

NOTE 5—The tensile modulus of common materials used for adherends are: hard maple—12 600 MPa (1 830 000 psi); aluminum—69 000 MPa (10 000 000 psi); and steel—207 000 MPa (30 000 000 psi).

Determine the shear-stress uniformity parameter [$\beta(c/t)$] from the curve in Fig. 8, corresponding to the trial specimen overlap ($c/t = 0.5$) and the calculated ($\hat{G}t/\eta E$).

11.4.2 The uniformity parameter shall be less than 1.0. If $\beta(c/t)$ is 1.0 or less, proceed to Section 12. If $\beta(c/t)$ is greater than 1.0, consult Table 3 for further action.

TABLE 2 Five Test Procedures for Determining Load-Slip Behavior of Each Specimen

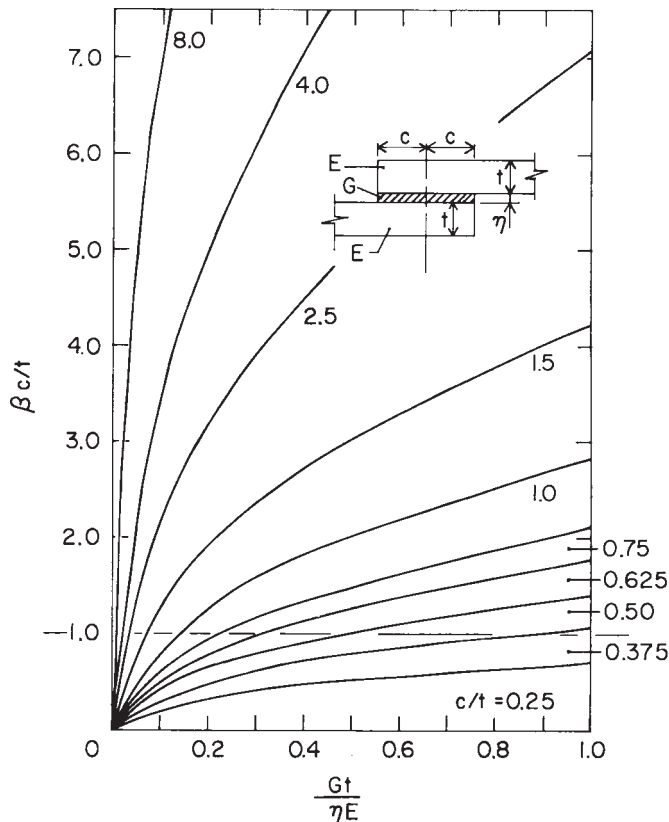
| Test Procedure | Purpose ^{A,B} | Loading Condition ^C |
|----------------|--|--------------------------------|
| 1 | Preload grips and specimen, check recorder scaling. | 0–0.1P–0 ^D |
| 2 | Record load and the slip measured by the LVDT A output. | 0–0.1P–0 ^D |
| 3 | Record load and the slip measured by the LVDT B output. | 0–0.1P–0 ^D |
| 4 | Record load and the slip measured by the combined (summed) LVDT A + LVDT B output. | 0–0.1P–0 ^D |
| 5 | Record load and the slip measured by the combined LVDTs. | 0–P |

^A The load-slip diagram for the first load-unload cycle will generally have a different shape and slope than subsequent loadings.

^B Recorder scaling should be adjusted to produce a slope of the load-slip diagram between 30 and 60°.

^C P is the maximum load the joint will withstand as established in the preliminary tests to estimate shear modulus and strength.

^D The value of 0.1 P_{max} is a recommendation. Its selection for secant modulus determination is an arbitrary one. For many adhesives, the initial portion of the load-slip diagram is fairly linear up to 0.1 P_{max} and thus may approximate a useful working load. The party or specification calling for the performance of this test may specify any other value as, for example, a load based on a predetermined allowable working stress.



NOTE 1— $\beta(c/t)$ is a function of adhesive shear modulus, G , adherend thickness, t , adhesive layer thickness, η , and adherend tensile elastic modulus, E .

FIG. 8 Shear Stress Uniformity Parameter $\beta(c/t)$

TABLE 3 Evaluation of Test Specimen Joint Geometry

| $\beta c/t$ From Trial Test | Action |
|-----------------------------|--|
| If less than 1.0 | (1.) Specimen suitable for full-scale testing (Section 12). |
| If between 1.0 and 3.0 | (2a.) Determine overlap length using $(Gt/\eta E)$, c/t , and Fig. 8 which will reduce the uniformity parameter to 1.0 or less. (2b.) Specimens with this reduced overlap may be used for full-scale testing (Section 12). |
| If greater than 3.0 | (3a.) Determine reduced overlap length as above. (3b.) Fabricate new trial specimens with the reduced overlap and obtain an improved estimate of adhesive shear modulus. (3c.) Reevaluate joint geometry. |

12. Procedure

12.1 In all cases, use a dual transducer-type slip gage similar in operating principle to the one described in 6.2.4 and Annex A1.

12.2 Mount the gage in the prescribed manner. In the case of the gage described in 6.2.4 and Annex A1, mount the gage with the knife edges on a line that is perpendicular to the bondline and 60 % of the distance from the center of the overlap toward either end, as shown in Fig. 9.

12.3 Five tests are normally run on each specimen, while observing or recording the load-slip behavior as shown in Table 2.

12.4 Conduct all tests at a crosshead speed calculated to yield a rate of strain of 1.0 mm/mm-min (1 in./in.·min) in the absence of other specific guidelines. Thus specimens with bondline thicknesses of 0.30 mm and 0.70 mm would be tested at crosshead speeds of 0.30 and 0.70 mm/min, respectively.

12.5 The load-slip diagrams of the first load-unload cycle will generally have a different shape and slope than those from subsequent cycles, as the grips are forced into alignment, and the adhesive is initially strained. An examination of the slopes of the load-slip diagrams from Tests 2 and 3, when the output of each LVDT was recorded individually, provides information about the amount of rotation occurring in the plane of the bond. If either of the slopes is negative, discard the specimen as unsuitable for measurement. If the slopes of the individual load-slip diagrams differ by more than 20° due to rotation effects, discard the specimen. Following the rotation evaluation in Tests 2 and 3, record the load-slip diagram (using the combined LVDT outputs) for a load equivalent to one tenth of the estimated maximum stress in Test 4 (Note 6). Finally, record the load-slip diagram using the combined LVDTs output as the joint is loaded to failure in Test No. 5.

NOTE 6—This requirement is not intended to override other specific directions from the party or specification requiring these tests (see Table 2 Footnote D).

12.6 The load-slip diagrams obtained in Tests 4 and 5 provide the information for calculating: (1) shear modulus under low-level cyclic load conditions; (2) shear modulus at high load levels up to failure; and (3) the ultimate shear strength of the adhesive.

12.7 Determining Load-Slip Diagram Slope:

12.7.1 Load-slip diagrams of a linear adhesive and a non-linear adhesive obtained from cyclic low-level loading (Test 4) are represented schematically in Fig. 1 and Fig. 2, respectively. The slope of the first is simply identified. The slope of the second is identified by the slope of the secant drawn from the origin to the point on the diagram corresponding to the maximum applied load.

12.7.2 The load-slip diagram of a single load to failure (Test 5) is represented in Fig. 3. Lines corresponding to the initial tangent modulus or the secant moduli, to the maximum load or some intermediate load, may be drawn as shown in Fig. 3.

12.7.3 The slope of the line used to calculate adhesive shear modulus in accordance with Eq 2 is measured in degrees above the horizontal axis.

13. Calculations

13.1 Estimated or Trial Shear Modulus:

13.1.1 Calculate the estimated shear modulus from the load-slip curve in Fig. 2 by determining the point on the curve where the load is equivalent to one tenth of the load at failure ($0.1 P_{max}$) then draw a secant through that point and the origin of the curve as shown (see Table 2, Footnote D). This line represents a secant modulus at $0.1 P_{max}$.

NOTE 7—If some load other than $0.1 P_{max}$ is used (see Table 2, Footnote D) then that value shall be used in Eq 1 and the slip corresponding to that load shall be determined and used in Eq 1.

13.1.2 Calculate the value of the modulus as follows:

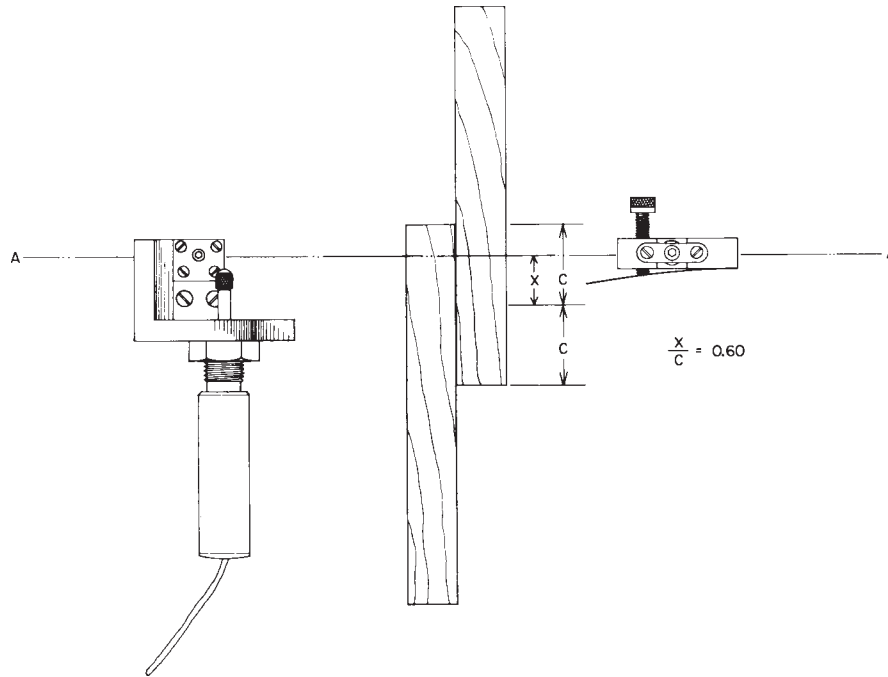


FIG. 9 Side View of Recommended Slip Gage Components Showing Line and Position of Attachment to Opposite Adherends

$$\hat{G} = \frac{0.1 P_{\max}/A}{1/2 \times \delta/\eta} = \frac{0.2 P_{\max}}{\delta A} \quad (1)$$

where:

- A = bond area,
- δ = joint slip at $0.1 P_{\max}$ (this is multiplied by $1/2$ to compensate for the combined LVDT outputs), and
- η = adhesive layer thickness.

13.2 Shear Modulus:

13.2.1 Calculate the shear modulus from the load-slip curve of Test 4 by drawing the appropriate modulus line as shown in either Fig. 1 or Fig. 2 and using the following equation:

$$G = (\eta k_y / A k_x) \tan \theta \quad (2)$$

where:

- θ = angle between the horizontal axis and the secant modulus line,
- η = adhesive layer thickness, mm or in.,
- A = bond area, mm² or in.²,
- k_y = recorder load axis scale factor, and
- k_x = recorder slip axis scale factor.

13.2.2 This equation obviates counting units on the x and y axis to determine load and slip. Since the scale factors k_y and k_x are known, a single angular measurement is all that is required. Alternatively, the equation for the estimated shear modulus (Eq 1) may be used.

13.3 Shear Strength— Calculate the shear strength or nominal shear stress at failure of adhesive bonds in shear from the Test 5 load-slip curve as follows:

$$\bar{\tau}_{\max} = (P_{\max}/A) \quad (3)$$

14. Report

14.1 Report the following information:

- 14.1.1 Adhesive,
- 14.1.2 Adherend,
- 14.1.3 Adhesive layer thickness,
- 14.1.4 Joint overlap,
- 14.1.5 $\beta(c/t)$,
- 14.1.6 Temperature at test,
- 14.1.7 Humidity at test,
- 14.1.8 Type of load-slip diagram, that is linear elastic, nonlinear viscoelastic, etc.,
- 14.1.9 Shear modulus,
- 14.1.10 Load or stress where shear modulus was determined, and
- 14.1.11 Shear strength.

15. Precision and Bias

15.1 The precision and bias must be established for each adhesive-adherend system since the design of the test specimen and the type of adhesive affect bias and precision, respectively.

15.2 This test method incorporates a specimen design procedure designed to ensure an accurate result.

16. Keywords

16.1 metal; nonrigid adhesives; shear modulus; shear strength; test method; thick-adherend tensile-lap specimen; wood

(Mandatory Information)

A1. SLIP GAGE

A1.1 Fig. A1.1 illustrates the basic features and dimensions of a dual transducer slip gage that compensates for specimen rotation. The body of the gage and follower are machined aluminum. Each component has two knife edges, one movable for clamping to the specimen. The gage block is constructed so that when it rests on the lower shelf of the gage, and the follower rests on top of the gage block, the knife edges of the gage and follower are on the same line.

A1.2 Two principal types of error may arise in attempting to measure adhesive shear strain by measuring the adherend displacement of single lap specimens—adherend deformation and adherend rotation. In this test method, error due to adherend deformation such as bending, differential straining or shearing is predictable and can be minimized by controlling the joint geometry. Rotation caused by nonuniform distribution of voids, side-to-side adhesive thickness variation, or off-center loading of the specimen is an unpredictable error that cannot be

eliminated but which to a degree can be compensated for by the slip gage.

A1.3 The two LVDTs are mounted on the gage, one on either side of the specimen, as shown in Fig. 5. This positioning of the LVDTs compensates for rotation of the adherends should it occur. Fig. A1.2 is a schematic representation of adherend displacement due to shear and rotation. The letters *A* and *B* in Fig. A1.2 represent the position of the two LVDTs. As rotation occurs LVDT *A* senses a much larger displacement than the average while LVDT *B* senses a smaller displacement. However, the average displacement measured by LVDT *A* + LVDT *B* is the same as the average displacement of the joint. Fig. A1.3 shows actual adherend displacements representing (I) no rotation, (II) uniform rotation, and (III) variable rotation. The compensating effect of averaging the LVDT outputs is evident in a comparison of the *A* + *B* curves of Sets II and III with the *A* + *B* curve of Set I.

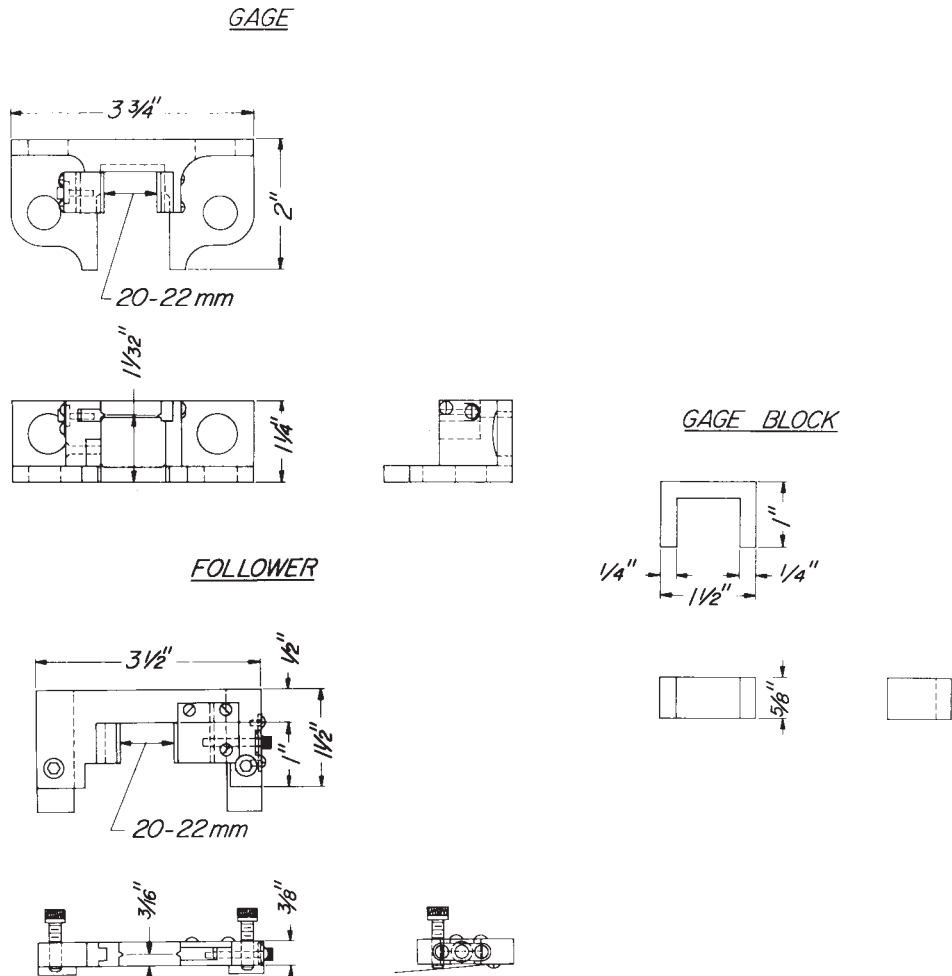
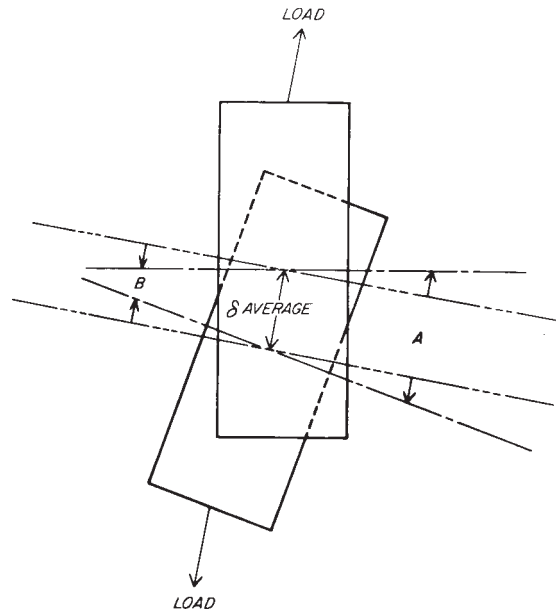
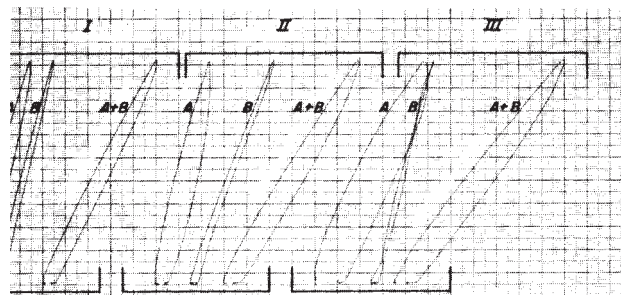


FIG. A1.1 Orthogonal Drawing of the Slip Gage Components



NOTE 1—The joint shows greater than average displacement at LVDT A and less than average at LVDT B.

FIG. A1.2 Exaggerated Rotational Displacement of Adherends in a Joint



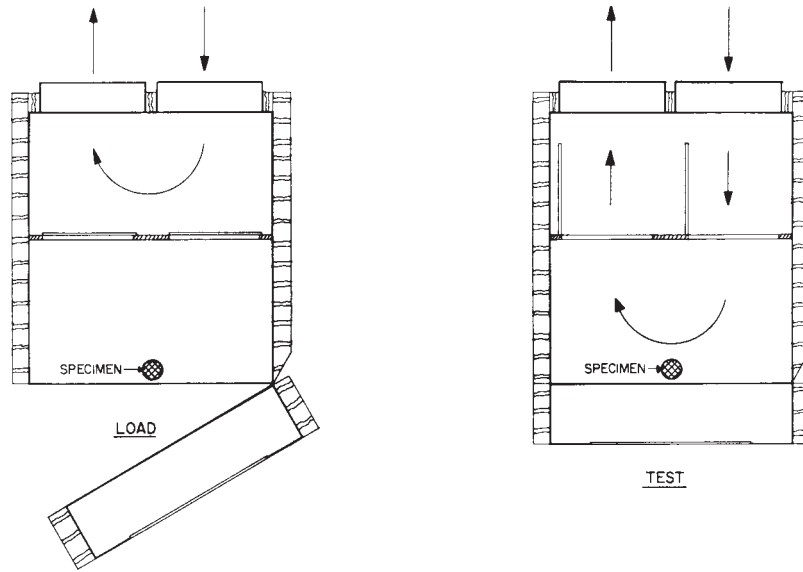
NOTE 1—Set I—no adherend rotation; Set II—uniform adherend rotation; and Set III—nonuniform adherend rotation. Curves A and B in each set represent the behavior sensed by the two LVDTs A and B. The curves labeled A + B represent the combined LVDT output.

FIG. A1.3 Load-Slip Curves from Three Different Specimens, Sets I, II, and III

A2. ENVIRONMENTAL TEST CHAMBER

A2.1 Fig. A2.1 shows an insulated environmental test chamber that is useful for tests where the chamber must be frequently opened to change specimens or make mechanical adjustments. An external conditioning unit supplies the desired environment to the chamber through insulated ducts. The chamber is equipped with pneumatically operated baffles. In the normally open position (TEST), the baffles direct the flow of conditioned air through the working portion of the chamber containing the mounted test specimen. In the closed position

(LOAD), the baffles seal off the working chamber and direct the conditioned air through a bypass chamber. This arrangement allows complete access to the working chamber for changing specimens, and mounting, and adjusting the slip gage, with a minimum of upset to the conditioning unit. The inside dimensions of the chamber should be approximately 300 mm high, 300 mm wide, and 250 mm deep (12 by 12 by 10 in.) excluding the bypass area.



NOTE 1—The chamber is equipped with bypass and baffles to maintain conditioning unit near equilibrium as specimens are changed.

FIG. A2.1 Environmental Test Chamber

The American Society for Testing and Materials takes no position respecting the validity of any patent rights asserted in connection with any item mentioned in this standard. Users of this standard are expressly advised that determination of the validity of any such patent rights, and the risk of infringement of such rights, are entirely their own responsibility.

This standard is subject to revision at any time by the responsible technical committee and must be reviewed every five years and if not revised, either reapproved or withdrawn. Your comments are invited either for revision of this standard or for additional standards and should be addressed to ASTM Headquarters. Your comments will receive careful consideration at a meeting of the responsible technical committee, which you may attend. If you feel that your comments have not received a fair hearing you should make your views known to the ASTM Committee on Standards, 100 Barr Harbor Drive, West Conshohocken, PA 19428.