

TAG: \_\_\_\_\_

**SUBMITTAL**

## R-410A Split System

### 16 SEER, Inverter Systems - 60 Hz

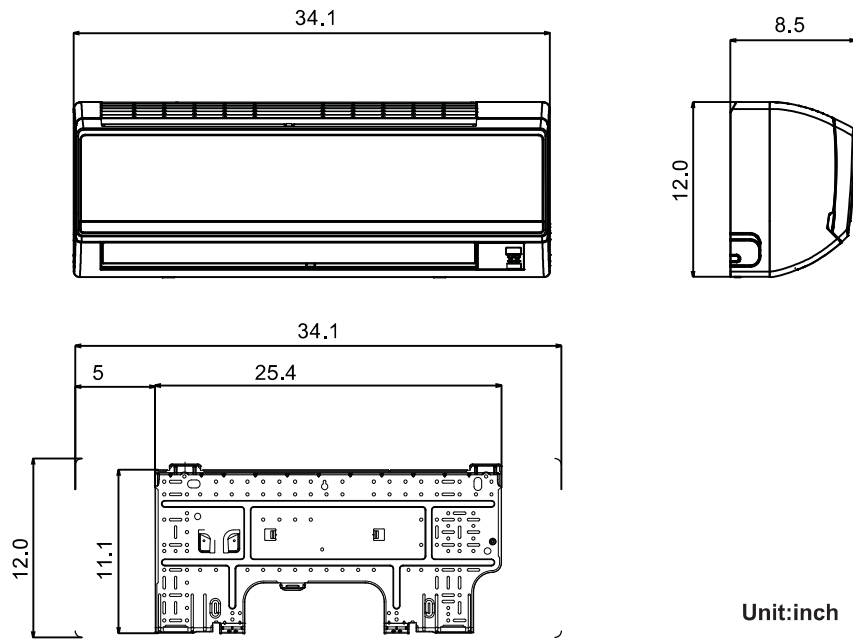
### 4MXW6518A1 / 4TXK6518A1

## Specifications

<b>MODEL - Heat Pump Only</b>	<b>4MXW6518A1 / 4TXK6518A1</b>	
	<b>Cooling</b>	<b>Heating</b>
RATED Volts/PH	208 / 230 / 1	
Frequency (Hz)	60Hz	
Rated Cooling / Heating Capacity (Btu/h):	18000	19200
Minimum Cooling Capacity (@95F) (Btu/h):	4500	0
Maximum Cooling Capacity (@95F) (Btu/h):	21000	0
Minimum Heating Capacity (@47F) (Btu/h):	0	4000
Maximum Heating Capacity (@47F) (Btu/h):	0	23000
Maximum Heating Capacity (@17F) (Btu/h):	0	12000
Maximum Heating Capacity (@ 5F) (Btu/h):	0	12900
Total Capacity (W) (High/Standard/Low):	6155 / 5276 / 1319	6741 / 5276 / 1172
Rated Power Input (W)	1621	2400
Nominal Input Current (A)	7.37	10.91
SEER / HSPF	16.00	8.0
Air Flow Volume (CFM) (H/M/L)	470 / 400 / 330 / 270	
Dehumidifying Volume (pt./h)	3.29	
EER (@95F)	11.1	8.0
<b>Indoor Unit</b>	<b>4MXW6518A10NOBA</b>	
Fan Motor Speed (r/min) (SH/H/M/L)	1400 / 1150 / 1000 / 850 1450 / 1250 / 1100 / 950	
Fan Motor RLA(A)	0.32	
Evaporator	Aluminum Fin-copper Tube	
Pipe Diameter (inch)	0.276	
Row Fin Gap (inch)	2 - 0.055	
Coil length (L) x height (H) x coil width (W) (inch)	25.9 x 12.0 x 1.0	
Output of Swing Motor (W)	2.0	
Fuse (A)	3.15	
Sound Power Level dB (A)(SH/H/M/L)	58 / 53 / 48 / 43	
Sound PRESSURE Level dB (A)(SH/H/M/L) ①	48 / 43 / 38 / 34	
Uncrated Dimension (W/D/H) (inch)	34.1 x 8.5 x 12.0	
Crated Dimension of Package (W/D/H) (inch)	37.3 x 12.2 x 15.1	
Net Weight /Gross Weight (lbs)	26.4 / 35.2	
<b>Outdoor Unit</b>	<b>4TXK6518A10NOBA</b>	
Compressor Type	Rotary	
L.R.A. (A)	27	
Compressor RLA(A)	10.86	
Compressor Power Input(W)	1245	
Throttling Method	Capillary	
Working Temp Range (oF)	-0 ~ 110	5 ~ 75
Condenser	Aluminum Fin-copper Tube	
Pipe Diameter (inch)	0.276	
Row Fin Gap (inch)	2 - 0.055	
Coil length (L) x height (H) x coil width (L) (inch)	33.0 x 26.0 x 1.5	
Fan Motor Speed (rpm)	690	
Output of Fan Motor (W)	60	
Fan Motor RLA (A)	0.62	
Air Flow Volume of Outdoor Unit (CFM)	1887	
Fan Diameter (inch)	20.5	
Defrosting Method	Automatic Defrosting	
Sound Power Level dB (A)	66	
Sound PRESSURE Level dB (A) ①	56	
Uncrated Dimension (W/L/H) (inch)	37.6 x 15.6 x 27.6	
Crated Dimension of Package (W/L/H) (inch)	40.5 x 18.0 x 29.5	
Net Weight /Gross Weight (lbs)	105.0 / 117.0	
Refrigerant Charge (oz)	45.86	
MCA	15.0	
MOP	25.0	
<b>Connection Pipe</b>		
Gas additional charge(oz/ft)	0.2	
Outer Diameter Liquid Pipe (inch)	1/4	
Outer Diameter Gas Pipe (inch)	1/2	
Max Height Distance (ft)	65	
Max Length Distance (ft)	130	

① Sound PRESSURE Level @ 3.3 ft. dB(A)

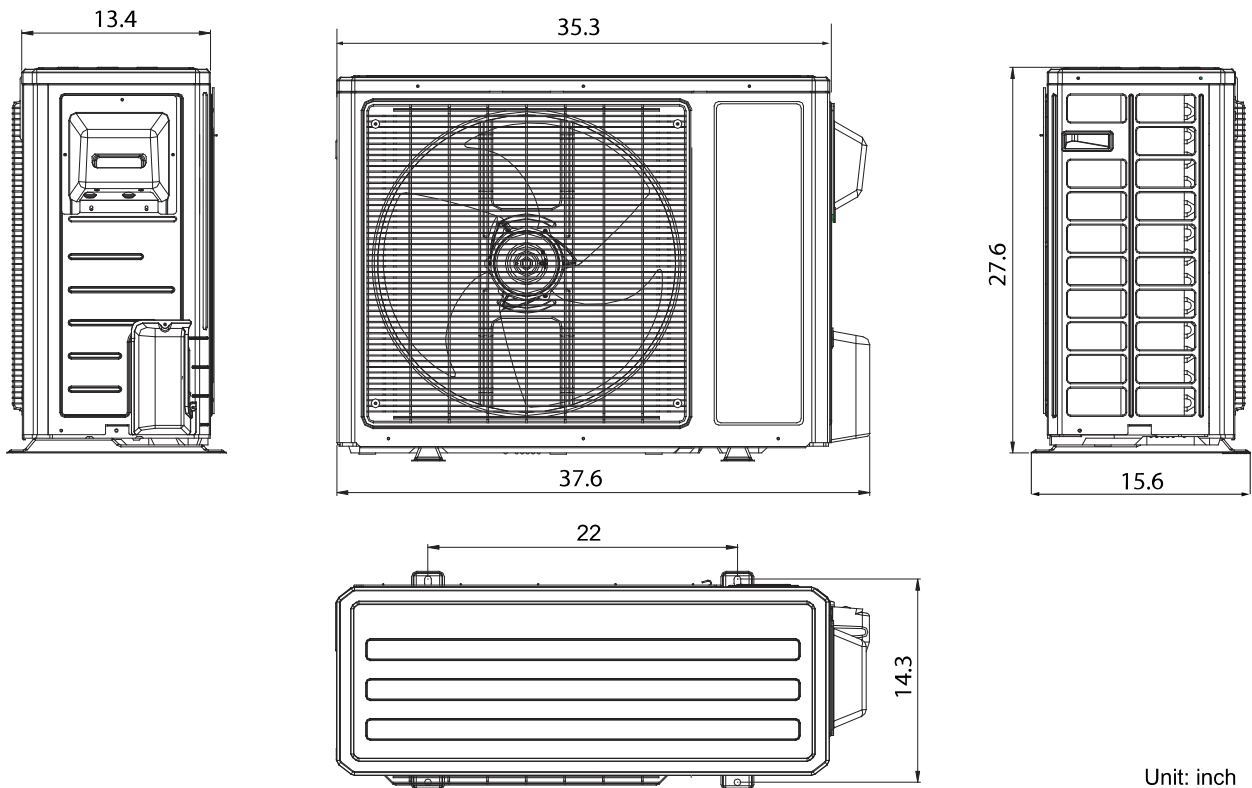
## Indoor Unit



Unit:inch

## Outdoor Unit

18K 24K



Unit: inch

### Air Velocity Patterns for High Wall

Max Horizontal Distance

Unit: ft. (m)

Model	Cooling Mode	Heating Mode
4MXW6518	26 (8)	21.3 (6.5)

# Mechanical Specifications

## Mini-Split Outdoor Unit

### General

This unit is fully charged from the factory for up to 25 feet of piping. This unit is designed to operate at outdoor ambient temperatures as high as 110°F. Cooling capacities with the mini-split air handler shown in the catalog are AHRI certified. The unit is ETL listed for outdoor application.

### Unit Casing

The unit casing is constructed of heavy gauge, galvanized steel and painted with a weather-resistant powder paint.

### Refrigerant Controls

Refrigeration system controls include condenser fan and compressor relay. High and low pressure controls are inherent to the compressor. A suction line multi function service valve is standard

### Compressor

The compressor features internal over temperature and pressure protection; total dipped hermetic motor windings. Other features include: centrifugal oil pump and low vibration and noise.

### Condenser Coil

The coil shall consist of aluminum finned coils brazed to copper tubing. The coil provides air flow resistance and efficient heat transfer. The coil is protected by the casing.

### Low Ambient Cooling

Matched ductless products, have a cooling capability to 0° F.

## Mini-Split Indoor High Wall

### General

The High Wall mounted type air handler shall be completely factory assembled including coil, condensate drain pan, fan motor, washable filter, air purifying filter and electric controls to be used with a wireless remote controller. Unit shall be shipped with a unit mounting plate. Unit shall be matched with a corresponding outdoor unit, rated and tested in accordance with AHRI standard. Unit shall be ETL listed.

### Unit Casing

Casing shall be provided with knockouts on the right, and left of the unit to facilitate piping and electrical connection on either side of the unit. An electrical service cover shall be provided to permit easy access to the electrical terminal strip.

### Discharge airflow and Distribution System

Unit shall have auto swing, dual horizontal blades to optimize the aperture outlet for vertical airflow and air distribution. Blade shall close automatically when the air conditioner is turned off to minimize dust entering the unit. Five-Step preset program on the remote controller shall be available to control the blade angle.

Manually adjusted wide-angle louvers shall be provided to adjust the coverage and direction of airflow.

### Controls

Units shall have the capability to be controlled remotely.

### Remote Controller

The unit shall have a wireless infrared remote controller with easy reading digital display panel to start, stop and regulate the air conditioner from a distance.

The wireless controller is available for all units. **(Sold separately)**

### Healthy Filters

The unit shall have one combined active carbon and catechin filter with the unit. The filter needs to be cleaned at least once a year.

