

# Options for Multiple-Beam Column Caps

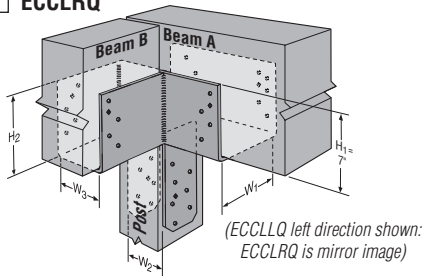
## INSTRUCTIONS FOR ORDERING MULTI-BEAM COLUMN CAPS:

- 1. Choose Column Cap Style.** Look at the configuration of the column caps to determine which style column cap you require. If you don't know which style column cap is required, refer to your plans to determine the correct configuration.
- 2. Determine Column Cap Dimensions.** Fill in the dimensions of the column cap on the worksheet. If you don't know the dimensions of the column cap, go directly to the "Post and Beam Dimensions" section.
- 3. Provide Beam and Post Dimensions.** The "Post and Beam Dimensions" section of this worksheet is required. Fill in all applicable dimensions in actual inches, not as nominal dimensions.
- 4. Determine Beam Orientation.** Refer to your plans or check the configuration of the column cap you selected in order to determine the orientation of the beam. Check the box for the beam orientation that best describes your beam configuration: Beam B flush at bottom of Beam A; Beam B flush at both the top and bottom of Beam A; or Beam B flush at top of Beam A.
- 5. Check the box for the required style and strap orientation.**
- 6. Select finish.** Standard finish is Simpson Strong-Tie® gray paint, available in HDG (specify "HDG").
- 7. Place Order.** Contact Simpson Strong-Tie for ordering information.

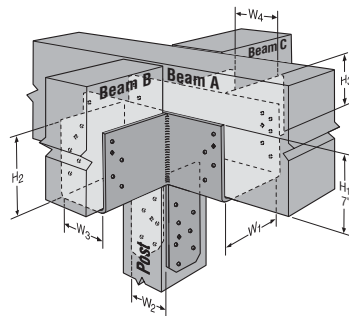
## MULTIPLE BEAM COLUMN CAPS

ECCLLQ

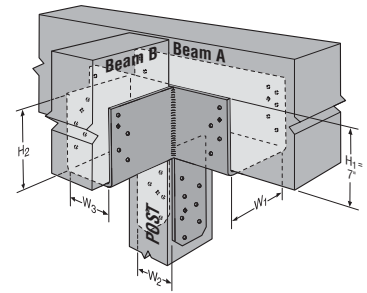
ECCLRQ



CCCQ



CCTQ



### Post and Beam Dimensions:

Provide dimensions in actual inches (not nominal dimensions).

Beam A: Width \_\_\_\_\_ Height \_\_\_\_\_

Beam B: Width \_\_\_\_\_ Height \_\_\_\_\_

Beam C: Width \_\_\_\_\_ Height \_\_\_\_\_

Post Size \_\_\_\_\_

If post is not square, specify width of post between the straps \_\_\_\_\_

### Column Cap Dimensions:

$W_1 =$  \_\_\_\_\_  $H_1 = 7"$

$W_3 =$  \_\_\_\_\_  $H_2 =$  \_\_\_\_\_

$W_4 =$  \_\_\_\_\_  $H_3 =$  \_\_\_\_\_

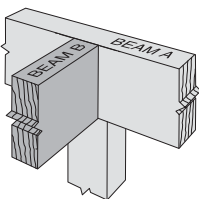
$W_2 =$  \_\_\_\_\_

$W_1, W_3, W_4$  will typically be  $\frac{1}{8}$ "– $\frac{1}{4}$ " greater than beam widths.  
 $W_2$  will typically be  $0$ "– $\frac{1}{8}$ " greater than post width.

### ORIENTATION OF BEAM HEIGHT

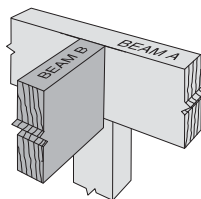
Refer to your plans to determine the correct orientation of your beam. Check the box for the orientation that best describes your beam configuration and ensure that the column cap dimensions are as follows:

Side Beam Flush at Top and Bottom



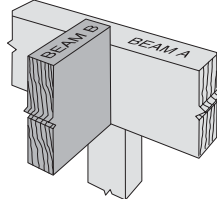
Column Cap Dimensions:  $H_2 = H_1$

Side Beam Flush at Top – Extends Below Main Beam



Column Cap Dimensions:  $H_2 > H_1$

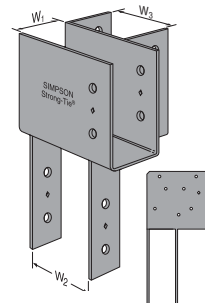
Side Beam Flush at Bottom – Extends Above Main Beam



Column Cap Dimensions:  $H_2 = H_1$

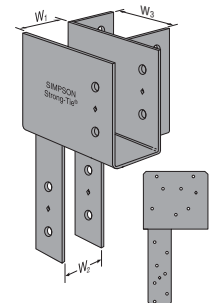
For allowable loads, refer to the current *Wood Construction Connectors* catalog.

Standard Strap Orientation



Column Cap Dimensions:  $W_2 \leq W_1$

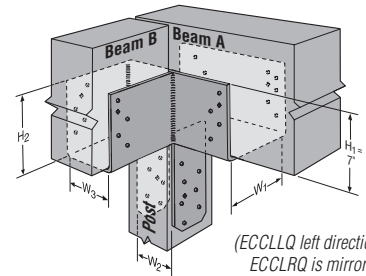
Straps Rotated\*



\* Not available for all models of column caps

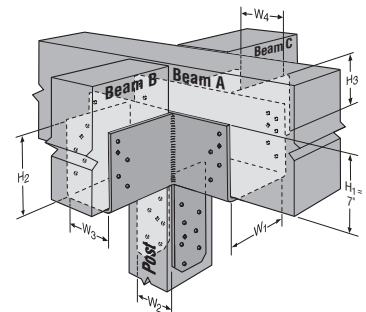
**Options for Multiple-Beam Column Caps**

Model	W1	W2	W3	H1	H2	Side Stirrup Direction
ECCLQ3-4SDS	3 1/4	3 3/8	Specify	7	Specify	Specify Left or Right
ECCLQ3-6SDS	3 1/4	5 1/2				
ECCLQ44SDS	3 3/8	3 3/8	3 3/8		7	Left
ECCLLQ444SDS	3 3/8	3 3/8				
ECCLRQ444SDS	3 3/8	3 3/8	Specify		7	Specify Left or Right
ECCLQ46SDS	3 3/8	5 1/2				
ECCLLQ464SDS	3 3/8	5 1/2	3 3/8		7	Left
ECCLRQ464SDS	3 3/8	5 1/2				
ECCLQ48SDS	3 3/8	7 1/2	Specify		7	Specify Left Or Right
ECCLQ5-4SDS	5 1/4	3 3/8				
ECCLQ5-6SDS	5 1/4	5 1/2				
ECCLQ5-8SDS	5 1/4	7 1/2				
ECCLQ64SDS	5 1/2	3 3/8				
ECCLQ66SDS	5 1/2	5 1/2				
ECCLLQ666SDS	5 1/2	5 1/2	5 1/2	7	Left	
ECCLRQ666SDS	5 1/2	5 1/2				
ECCLQ7.1-4SDS	7 1/8	3 3/8	Specify	7	Specify Left or Right	
ECCLQ7.1-6SDS	7 1/8	5 1/2				
ECCLQ7.1-7.1SDS	7 1/8	7 1/8				
ECCLQ74SDS	6 3/8	3 3/8				
ECCLQ76SDS	6 3/8	5 1/2				
ECCLQ77SDS	6 3/8	6 3/8				
ECCLQ78SDS	6 3/8	7 1/2				
ECCLQ86SDS	7 1/2	5 1/2				
ECCLQ88SDS	7 1/2	7 1/2				



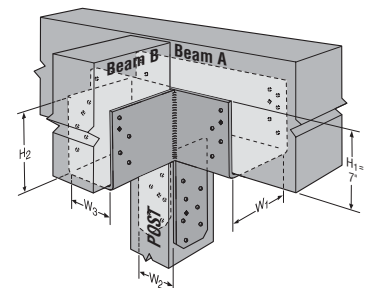
**ECCLLQ, ECCLRQ**

Model	W1	W2	W3	W4	H1	H2	H3
CCCQ3-4SDS	3 1/4	3 3/8	Specify	Specify	7	Specify	Specify
CCCQ3-6SDS	3 1/4	5 1/2					
CCCQ44SDS	3 3/8	3 3/8					
CCCQ46SDS	3 3/8	5 1/2					
CCCQ5-4SDS	5 1/4	3 3/8					
CCCQ5-6SDS	5 1/4	5 1/2					
CCCQ5-8SDS	5 1/4	7 1/2					
CCCQ64SDS	5 1/2	3 3/8					
CCCQ66SDS	5 1/2	5 1/2					
CCCQ68SDS	5 1/2	7 1/2					
CCCQ7.1-4SDS	7 1/8	3 3/8					
CCCQ7.1-6SDS	7 1/8	5 1/2					
CCCQ7.1-7.1SDS	7 1/8	7 1/8					
CCCQ76SDS	6 3/8	5 1/2					
CCCQ77SDS	6 3/8	6 3/8					
CCCQ78SDS	6 3/8	7 1/2					
CCCQ86SDS	7 1/2	5 1/2					
CCCQ88SDS	7 1/2	7 1/2					



**CCCQ**

Model	W1	W2	W3	H1	H2
CCTQ3-4SDS	3 1/4	3 3/8	Specify	7	Specify
CCTQ3-6SDS	3 1/4	5 1/2			
CCTQ44SDS	3 3/8	3 3/8			
CCTQ46SDS	3 3/8	5 1/2			
CCTQ5-4SDS	5 1/4	3 3/8			
CCTQ5-6SDS	5 1/4	5 1/2			
CCTQ5-8SDS	5 1/4	7 1/2			
CCTQ64SDS	5 1/2	3 3/8			
CCTQ66SDS	5 1/2	5 1/2			
CCTQ68SDS	5 1/2	7 1/2			
CCTQ7.1-4SDS	7 1/8	3 3/8			
CCTQ7.1-6SDS	7 1/8	5 1/2			
CCTQ7.1-7.1SDS	7 1/8	7 1/8			
CCTQ76SDS	6 3/8	5 1/2			
CCTQ77SDS	6 3/8	6 3/8			
CCTQ78SDS	6 3/8	7 1/2			
CCTQ86SDS	7 1/2	5 1/2			
CCTQ88SDS	7 1/2	7 1/2			



**CCTQ**

*This technical bulletin is effective until December 31, 2015, and reflects information available as of July 1, 2013. This information is updated periodically and should not be relied upon after December 31, 2015; contact Simpson Strong-Tie for current information and limited warranty or see www.strongtie.com.*