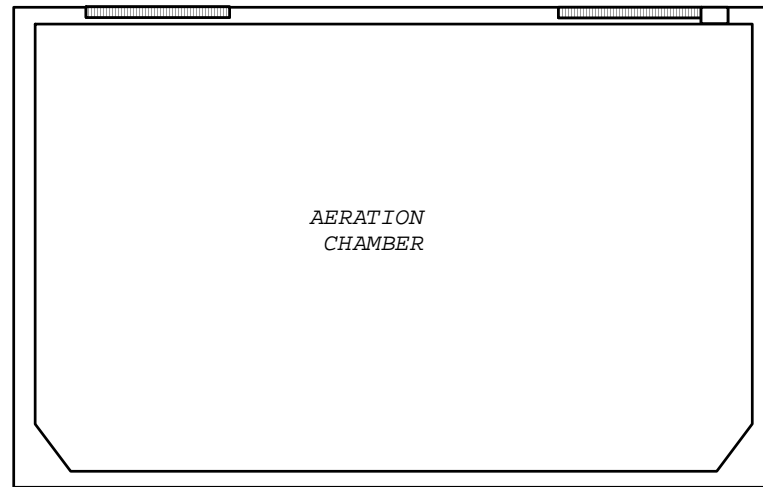
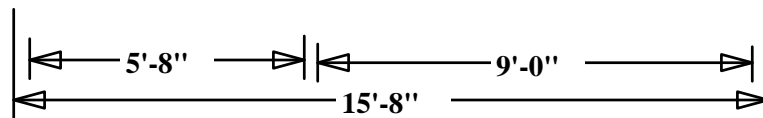
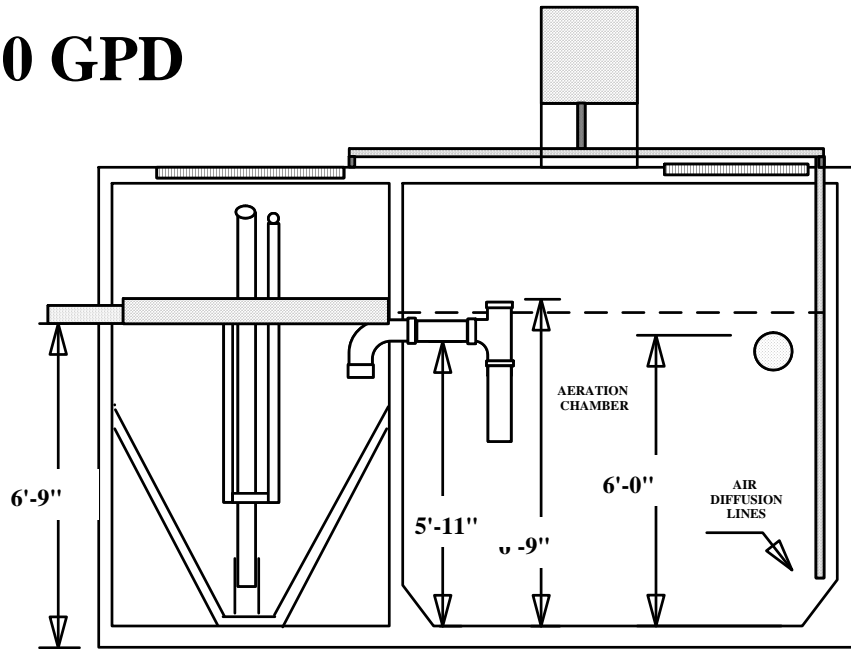
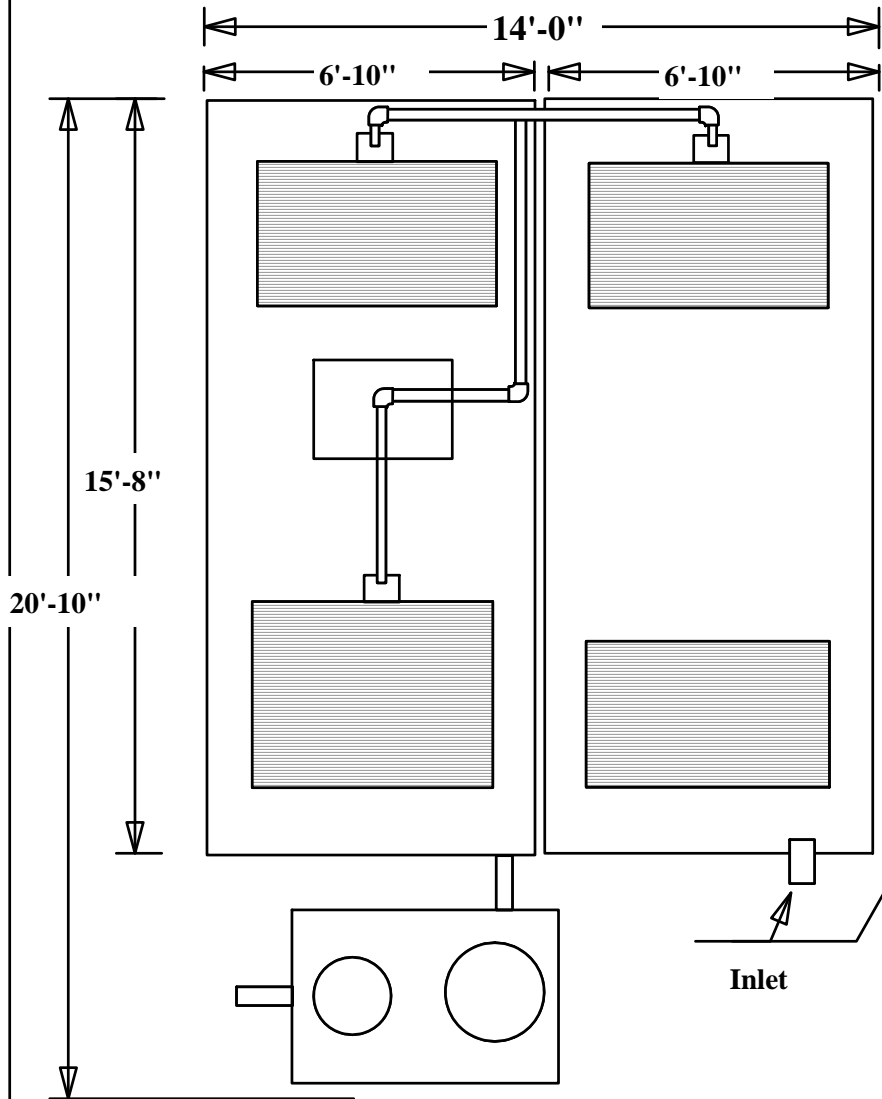


SCI 6000 GPD



SCI60NM.KEY

SCI PRECAST

153 INDUSTRIAL DR. SLIDELL, LA. 70460
(504) 649-3782 1-800-696-6563

6000 GPD WASTEWATER TREATMENT PLANT
#4 REBAR 8" x 9" 7 BAG PER YARD MIX