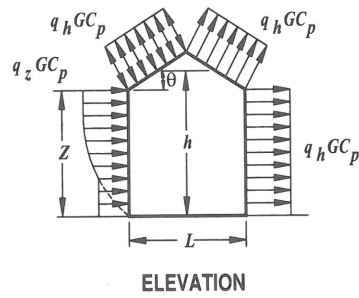
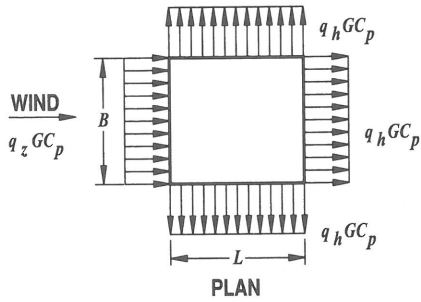
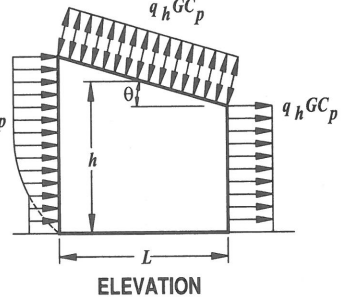
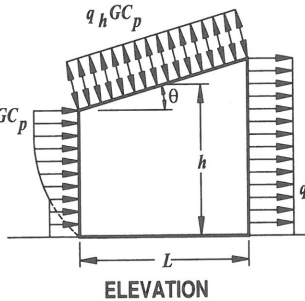
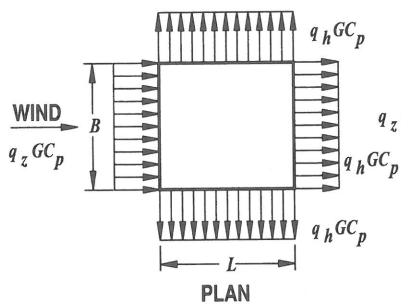


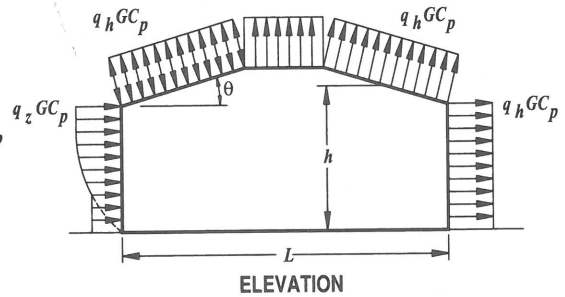
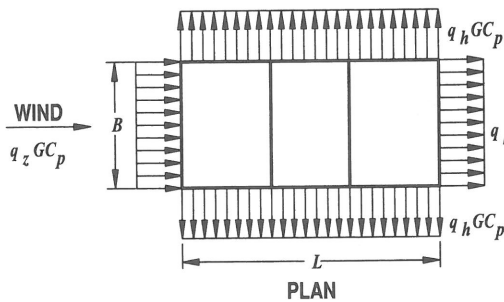
|   |                                       |               |
|---|---------------------------------------|---------------|
| Main Wind Force Resisting System – Part 1 |                                       | All Heights   |
| Figure 27.4-1                             | External Pressure Coefficients, $C_p$ | Walls & Roofs |
| Enclosed, Partially Enclosed Buildings    |                                       |               |



GABLE, HIP ROOF



MONOSLOPE ROOF (NOTE 4)



MANSARD ROOF (NOTE 8)