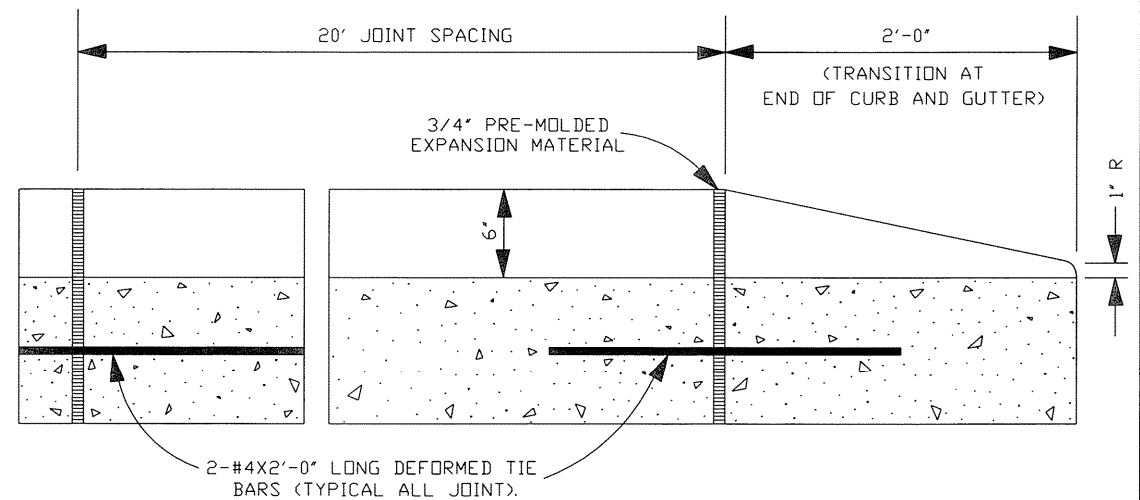


DETAIL FOR ROADWAY CURB WITH GUTTER BOTTOM  
(BARRIER TYPE)  
N.T.S.



SECTION A-A  
TRANSITION CURB DETAIL  
N.T.S.

NOTE:

FOR PER POUR INSPECTION  
CALL THE DEPARTMENT OF  
ENGINEERING AT 736-6793  
FOR APPOINTMENT.

COMMERCIAL PLAN  
OF DETAIL NO. 8



JEFFERSON PARISH  
DEPARTMENT OF ENGINEERING

DRAWING TITLE: DETAILS OF ROADWAY CURB WITH GUTTER BOTTOM			
DRAWN BY: T.V.C.	DATE: 8-6-93	REVISED: -	DATE: -
REVISED: H.J.W.	DATE: 01/29/05	REVISED: -	DATE: -
REVISED: H.J.W.	DATE: 06/29/05	REVISED: H.J.W.	DATE: 01/28/05
SCALE: AUTOCAD-LT.2004 (HARDL10)		SHEET: DETAIL-8.DWG.(DETAIL-8)	
FILE NUMBER: ENV-09			