

- NOTES:**
1. CULVERT SIZE SHOWN PERTAIN TO B & S PIPE. (UNLESS OTHERWISE SPECIFIED).
  2. CONCRETE STRENGTH TO BE 3,000 PSI (MINIMUM) AT 28 DAYS.
  3. DIMENSIONS FOR BOTTOM SLAB AS PER DIMENSIONS FOR WALLS "A" AND "B".
  4. WHEN BOX IS 7'-0" OR LESS IN HEIGHT, WALLS TO BE 8" THICK. WHEN BOX HEIGHT IS GREATER THAN 7'-0" BUT LESS 12'-0", SEE DETAIL "A".
  5. WIDTH OF SHELL BEDDING SHALL BE AS PER DIMENSIONS SHOWN FOR WALLS "A" AND "B" PLUS 2'-0".
  6. ALL MASONRY TO BE LAID WITH RUNNING BOND AND HEADER COURSE (EVERY FOURTH LAYER).
  7. ALL WALLS TO BE PLASTERED INSIDE AND OUTSIDE (1/2" MIN. THICKNESS).
  8. ALL GRATES AND FRAMES SHALL BE VULCAN FOUNDRY OR APPROVED EQUAL. ALL CAST IRON TYPE AND WITHOUT PAINT.

**NOTE:**  
ALL GREY CASTINGS FOR MANHOLES, AND CATCH BASINS OF ALL TYPES SHALL CONFORM TO THE REQUIREMENTS OF A.S.T.M. A-48, CLASS 30, AND SHALL BE FURNISHED WITHOUT PAINT (AASHTO#306-891)

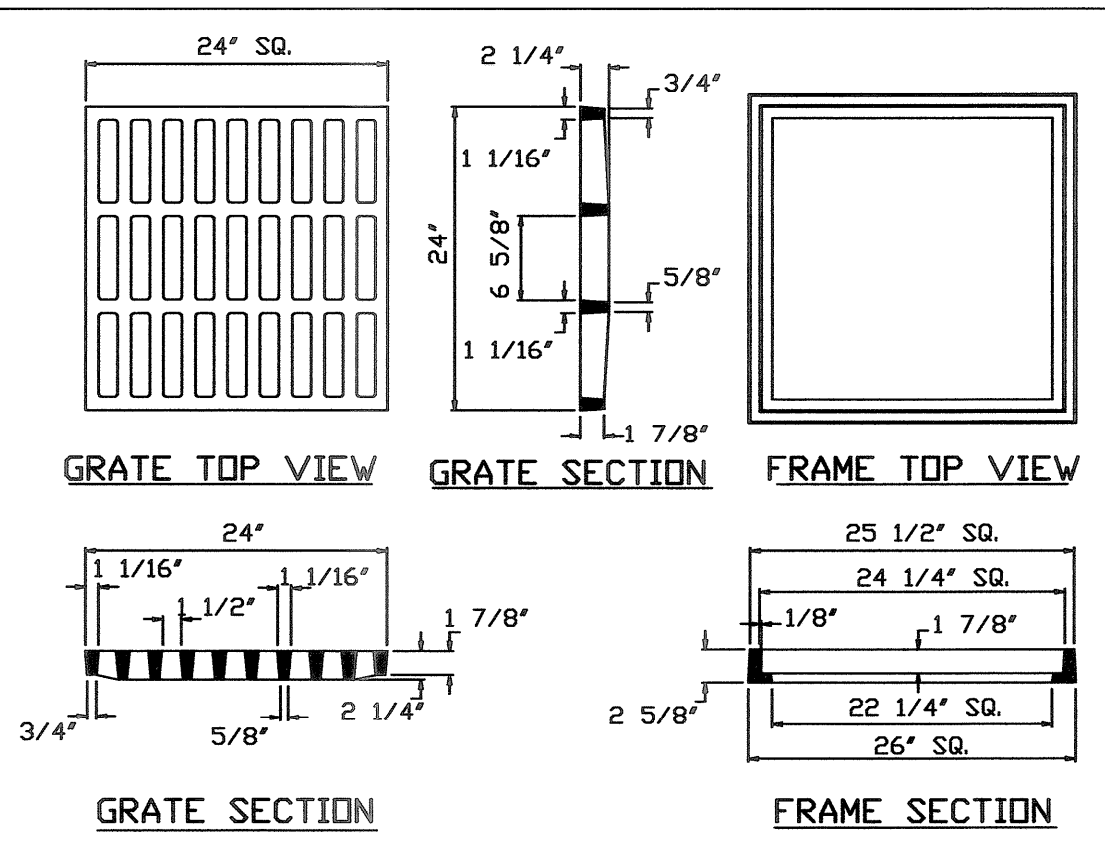
**SQUARE " GRATE " (V-5724-1)**

CULVERT SIZE	BOTTOM SLAB	TOP SLAB (A & B)	C & D	CULVERT SIZE	BOTTOM SLAB	TOP SLAB	C & D
12"DIA.	4'-2" X 4'-2"	3'-2" X 3'-2"	7 7/8"	21"DIA. X 24"DIA.	5'-0" X 5'-0"	4'-6" X 4'-6"	15 7/8"
15"DIA.	4'-4" X 4'-4"	3'-4" X 3'-4"	8 7/8"	27"DIA. X 30"DIA.	6'-0" X 6'-0"	5'-0" X 5'-0"	18 7/8"
18"DIA.	4'-6" X 4'-6"	3'-6" X 3'-6"	9 7/8"	36"DIA.	6'-6" X 6'-6"	5'-6" X 5'-6"	21 7/8"

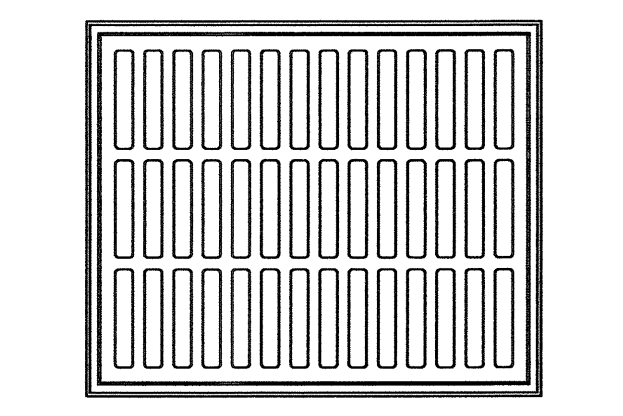
**RECTANGULAR " GRATE " (V-5762)**

CULVERT SIZE ON WALLS A & B	WALL "A"	"C"	WALL "B"	"D"
21"DIA & 24"DIA. B & S	4'-6"	15" (3 NO.5 BARS)	4'-6"	15" (3 NO.5 BARS)
27"DIA & 30"DIA. B & S	5'-0"	18" (3 NO.5 BARS)	5'-0"	15" (3 NO.5 BARS)
36"DIA. B & S	5'-9"	22 1/2" (3 NO.5 BARS)	5'-9"	19 1/2" (3 NO.5 BARS)
42"DIA. B & S	6'-6"	27" (4 NO.5 BARS)	6'-6"	24" (4 NO.5 BARS)
48"DIA. B & S	7'-0"	30" (5 NO.5 BARS)	7'-0"	27" (4 NO.5 BARS)
54"DIA. T & G	7'-3"	31 1/2" (5 NO.5 BARS)	7'-3"	28 1/2" (5 NO.5 BARS)
60"DIA. T & G	7'-9"	35" (6 NO.5 BARS)	7'-9"	32" (6 NO.5 BARS)
72"DIA. T & G	9'-0"	42" (7 NO.5 BARS)	9'-0"	39" (7 NO.5 BARS)

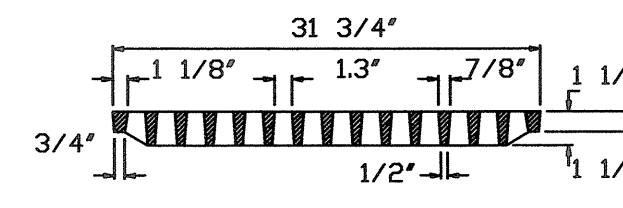


**SQUARE D.I.**  
N.T.S.

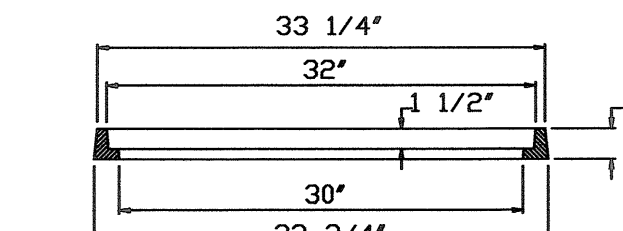
B & S = BELL & SPIGOT  
T & G = TONGUE & GROOVE  
W.I. = WROUGHT IRON



FRAME AND GRATE TOP VIEW

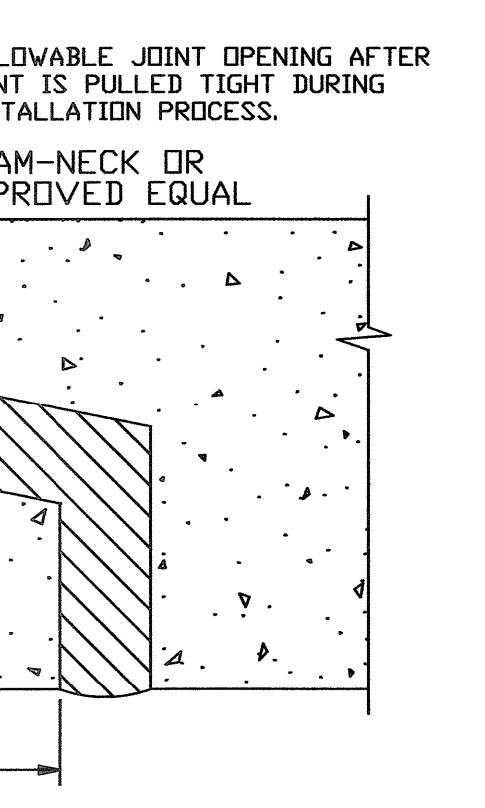


GRATE SECTION

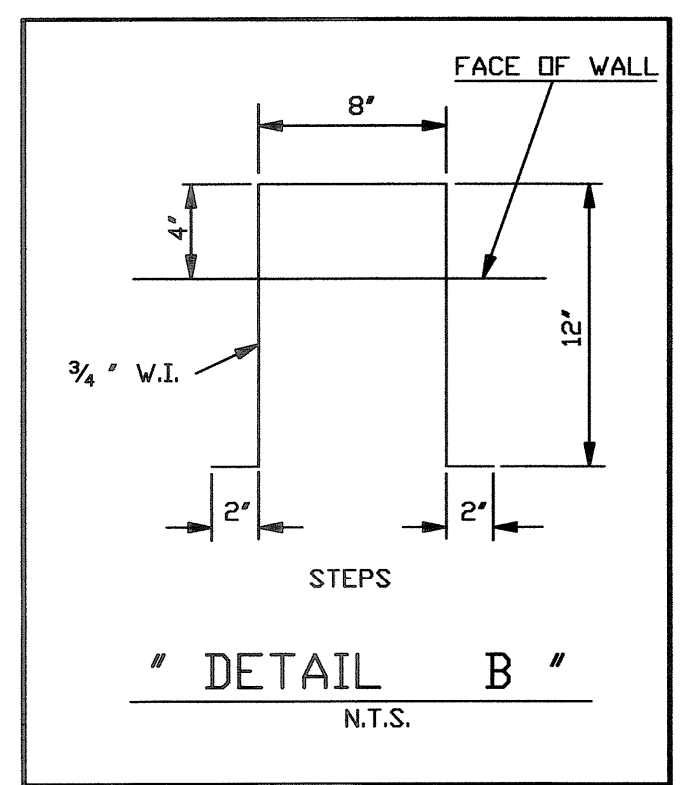


FRAME SECTION

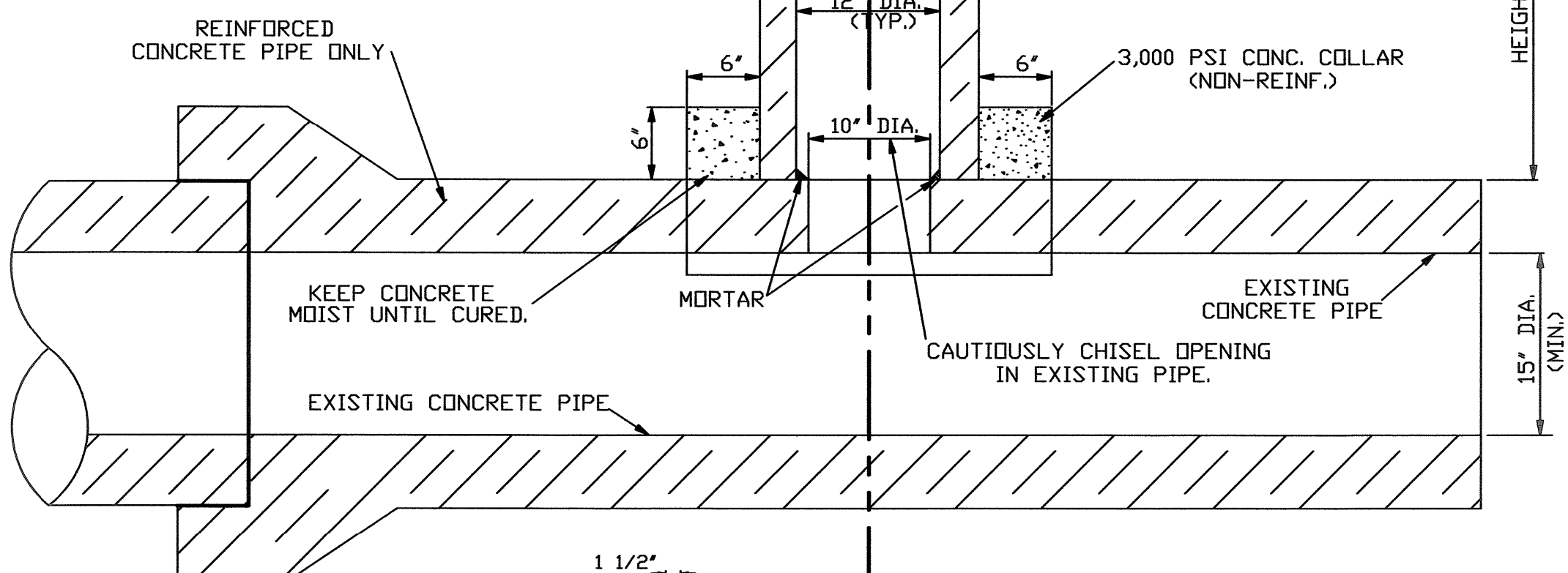
**RECTANGULAR D.I.**  
N.T.S.



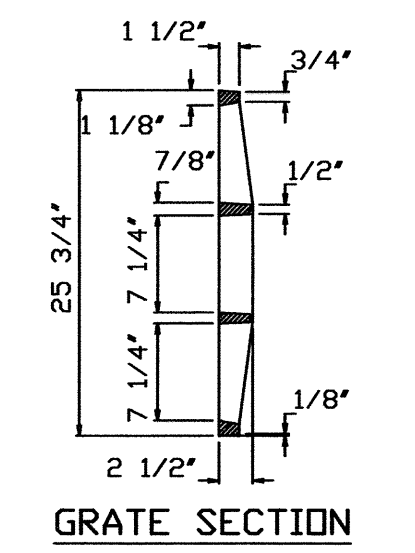
APPLICABLE TO TONGUE AND GROOVE PIPE (ARCH PIPE ONLY)  
N.T.S.



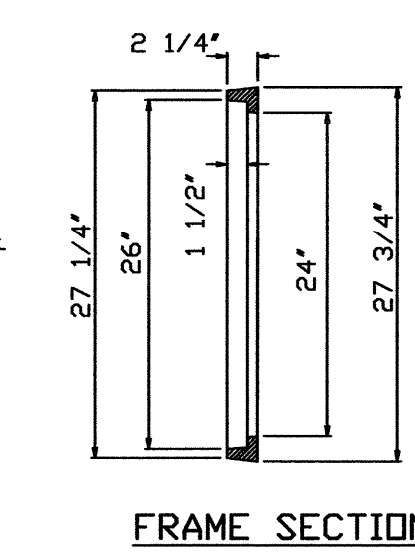
"DETAIL B"  
N.T.S.



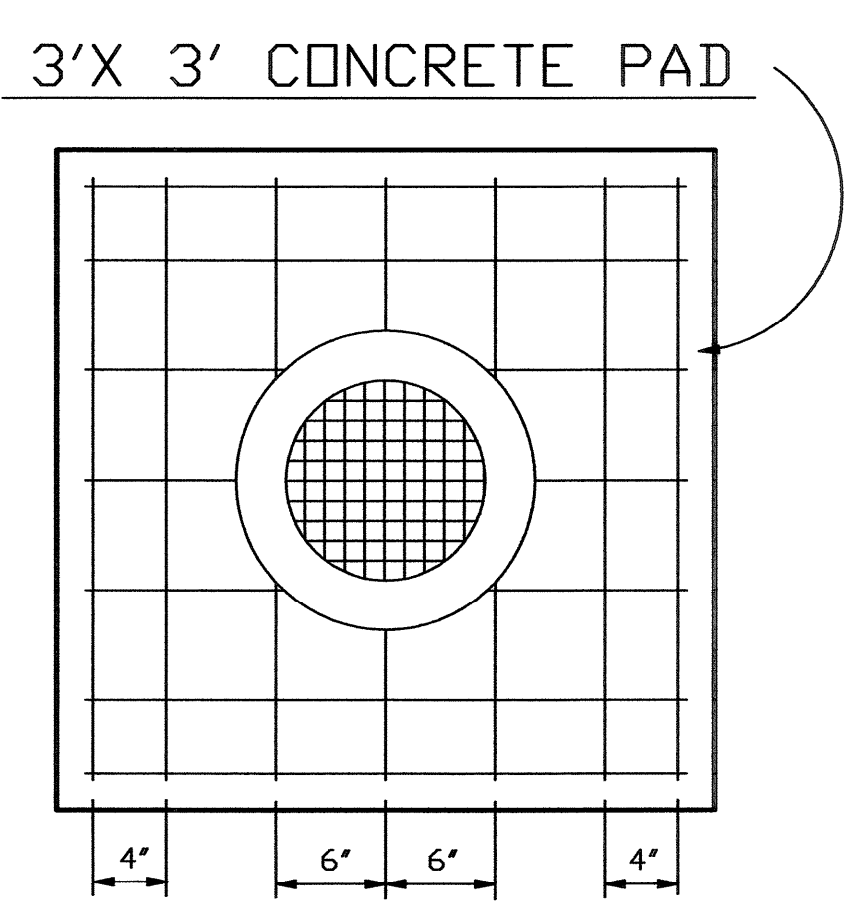
TEE INLET DETAIL  
N.T.S.



GRATE SECTION



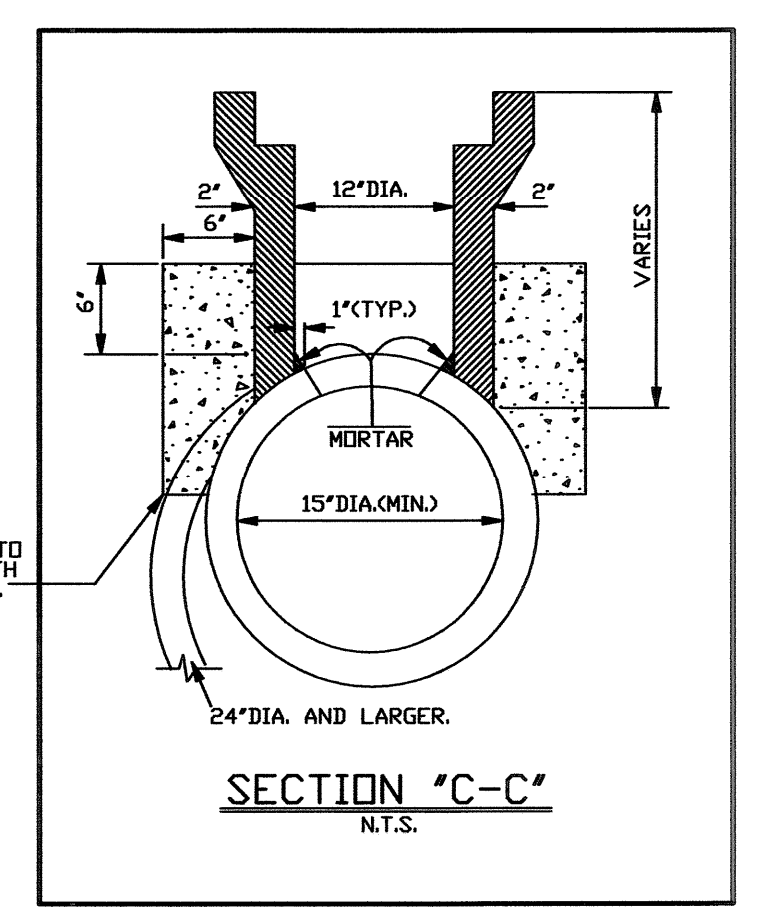
FRAME SECTION



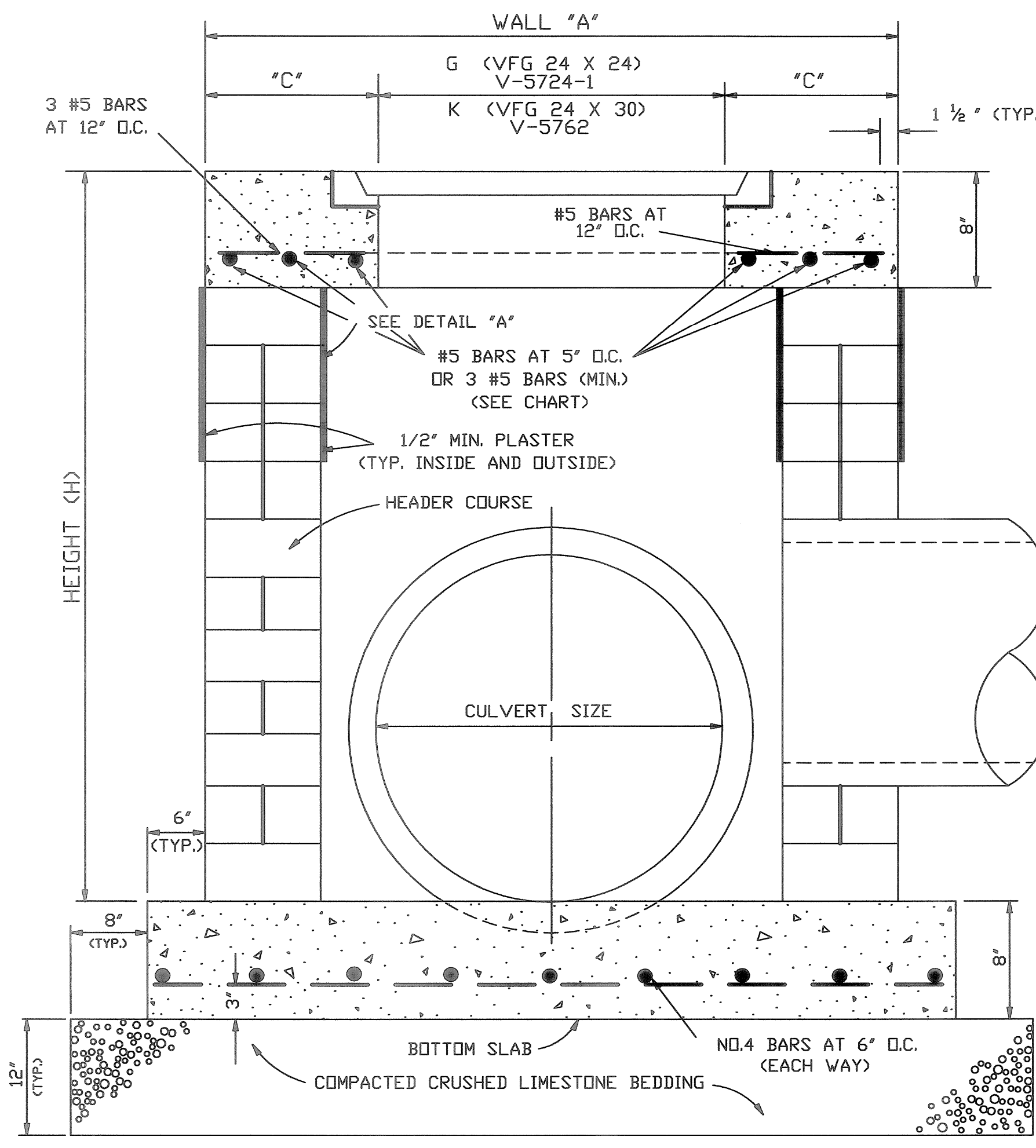
3' X 3' CONCRETE PAD  
TOP VIEW  
7 NO.3 BARS SPACED AS SHOWN (EACH WAY)  
N.T.S.

ARCH PIPE (RISE X SPAN)	X (INCHES)	1/4 X (INCHES)
13 1/2" X 22"	2"	1/2"
15 1/2" X 26"	2 1/4"	5/8"
18" X 28 1/2"	3"	3/4"
22 3/8" X 36 1/4"	3 3/4"	7/8"
26 3/8" X 43 3/4"	3"	3/4"
31 3/8" X 51 1/2"	3 1/2"	7/8"
36" X 58 1/2"	4 1/2"	1 1/8"
40 1/4" X 65"	5 1/4"	1 3/8"
45" X 73 1/2"	5"	1 1/4"
54" X 88"	6"	1 1/2"
62 3/8" X 102"	6 1/2"	1 1/2"
77 3/8" X 122"	7"	1 3/4"

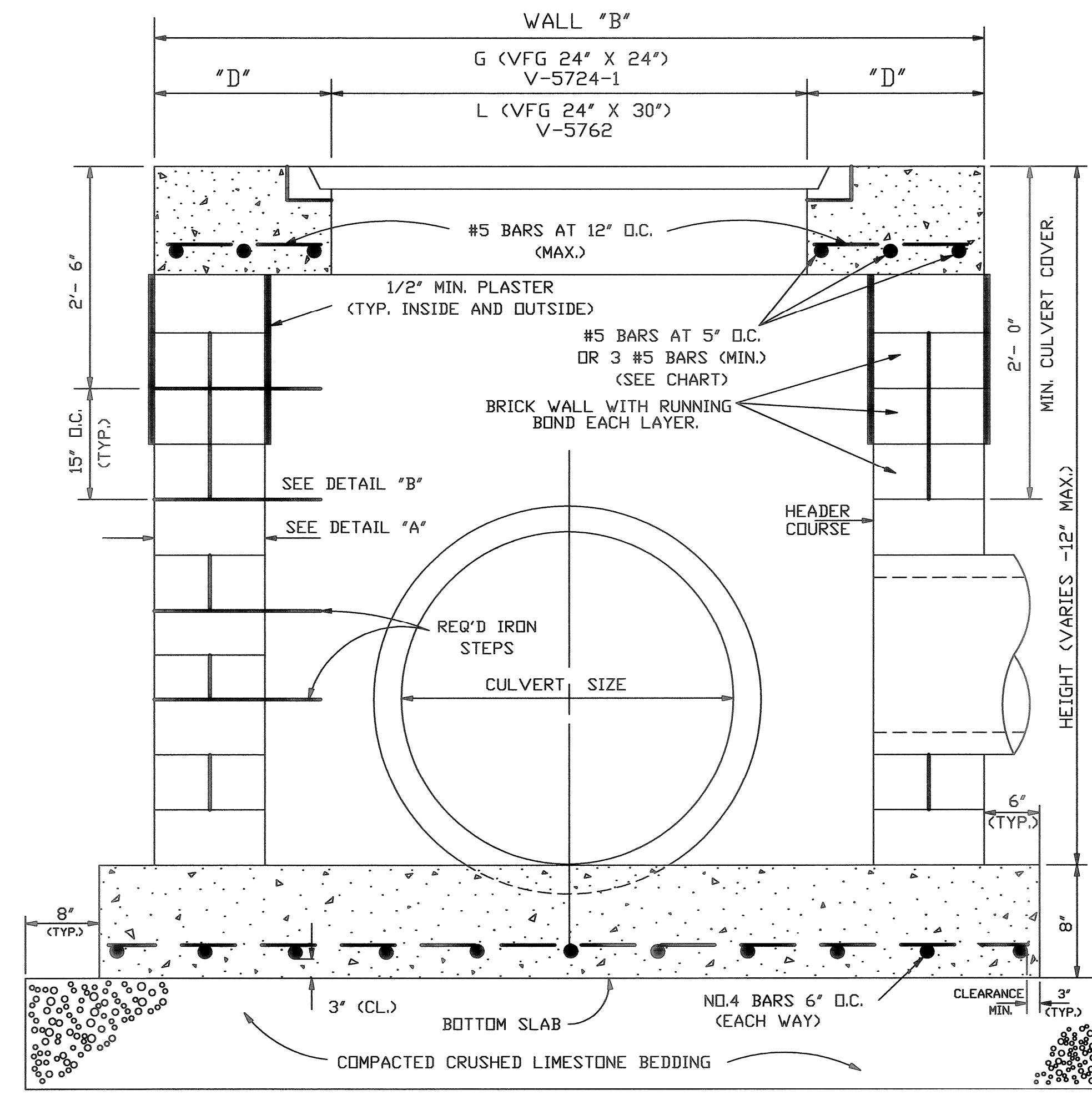
MID-POINT OF PIPE FROM 12"DIA. TO 24"DIA. OR POINT OF CONTACT WITH PIPE WALL FOR PIPE SIZE 24"DIA. AND LARGER.



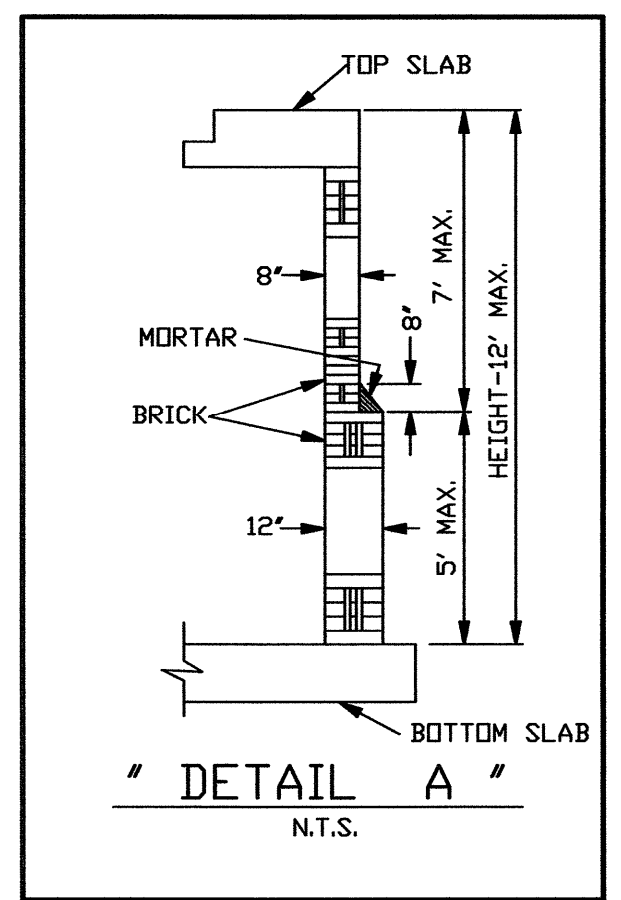
SECTION "C-C"  
N.T.S.



SECTION "A - A"  
N.T.S.



SECTION "B - B"  
N.T.S.



"DETAIL A"  
N.T.S.

JEFFERSON PARISH  
DEPARTMENT OF ENGINEERING

DRAWING TITLE:  
**DRAINAGE STANDARD DETAILS**

DRAWN BY	DATE	REVISION	DATE
H.J.W.	08/07/92	H.J.W.	07/25/97
H.J.W.	06/13/94	-	-
H.J.W.	01/04/04	-	-

XREF: AUTOCADLT.2004 VDP: DRAIN3.DWG.  
FILE NUMBER: 0025