

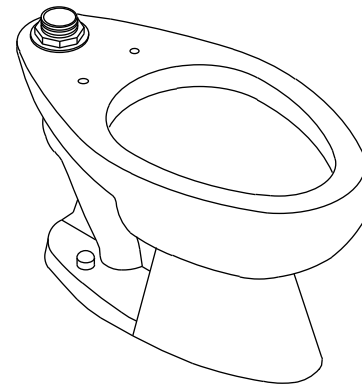
### Features

- Vitreous china
- With bedpan lugs (-L)
- 1-1/2" top spud
- 2-1/4" (57 mm) passageway
- 1.6 gpf (6 lpf)
- 10" (254 mm) or 12" (305 mm) rough-in
- 11-3/8" (289 mm) x 10-3/8" (264 mm) water area
- 26" (660 mm) x 14-1/2" (368 mm) x 14-3/4" (375 mm)

### BOWL K-4350

CSA B651

OBC



### Codes/Standards Applicable

Specified model meets or exceeds the following:

- CSA B651
- OBC
- ASME A112.19.2/CSA B45.1

### Colors/Finishes

- 0: White
- Other: Refer to Price Book for additional colors/finishes

### Accessories

- 0: White
- CP: Polished Chrome
- Other: Refer to Price Book for additional colors/finishes

### Specified Model

Model	Description	Colors/Finishes	
K-4350	Elongated bowl toilet	<input type="checkbox"/> 0	<input type="checkbox"/> Other_____
K-4350-B	Elongated bowl toilet with bolt holes	<input type="checkbox"/> 0	<input type="checkbox"/> Other_____
K-4350-L	Elongated bowl toilet with bedpan lugs	<input type="checkbox"/> 0	<input type="checkbox"/> Other_____

Recommended Accessories				
K-4670-C	Lustra™ open front seat	<input type="checkbox"/> 0	<input type="checkbox"/> Other_____	
K-4670-CA	Lustra™ open front seat (with anti-microbial agent)	<input type="checkbox"/> 0		
K-10674	WAVE exposed toilet flushometer – 1.6 gpf (6 lpf)			<input type="checkbox"/> CP
K-10957	Touchless DC toilet flushometer – 1.6 gpf (6 lpf)			<input type="checkbox"/> CP
K-13516	Manual toilet flushometer – 1.6 gpf (6 lpf)			<input type="checkbox"/> CP

### Product Specification

The elongated bowl shall be made of vitreous china. Bowl shall be capable of either 10" (254 mm) or 12" (305 mm) rough-in with 1-1/2" top spud. Bowl shall be 1.6 gpf (6 lpf). Bowl shall have 2-1/4" (57 mm) passageway. Bowl shall have 11-3/8" (289 mm) by 10-3/8" (264 mm) water area. Bowl shall have bedpan lugs (-L). Bowl shall be 26" (660 mm) in length, 14-1/2" (368 mm) in width, and 14-3/4" (375 mm) in height. Bowl shall be Kohler Model K-4350-\_\_\_\_\_-\_\_\_\_\_.

# WELLCOMME™

## Technical Information

Fixture*:	
Configuration	Top spud, elongated
Water per flush	1.6 gal (6 L)*
Spud size	1-1/2"
Passageway	2-1/4" (57 mm)
Water area	11-3/8" (289 mm) x 10-3/8" (264 mm)
Water depth from rim	6" (152 mm)
Seat post hole centers	5-1/2" (140 mm)
Minimum static pressure required	35 psi (241.3 kPa)
Maximum static pressure	80 psi (551.6 kPa)
Minimum flowing pressure required	25 psi (172.4 kPa)
Required supply minimum	25 gpm (94.6 lpm)
* Designed to flush with 1.6 gal (6 L) of water when installed with a 1.6 gpf (6 lpf) valve.	

Included components:

Spud	18357
Bolt cap accessory pack	1013092

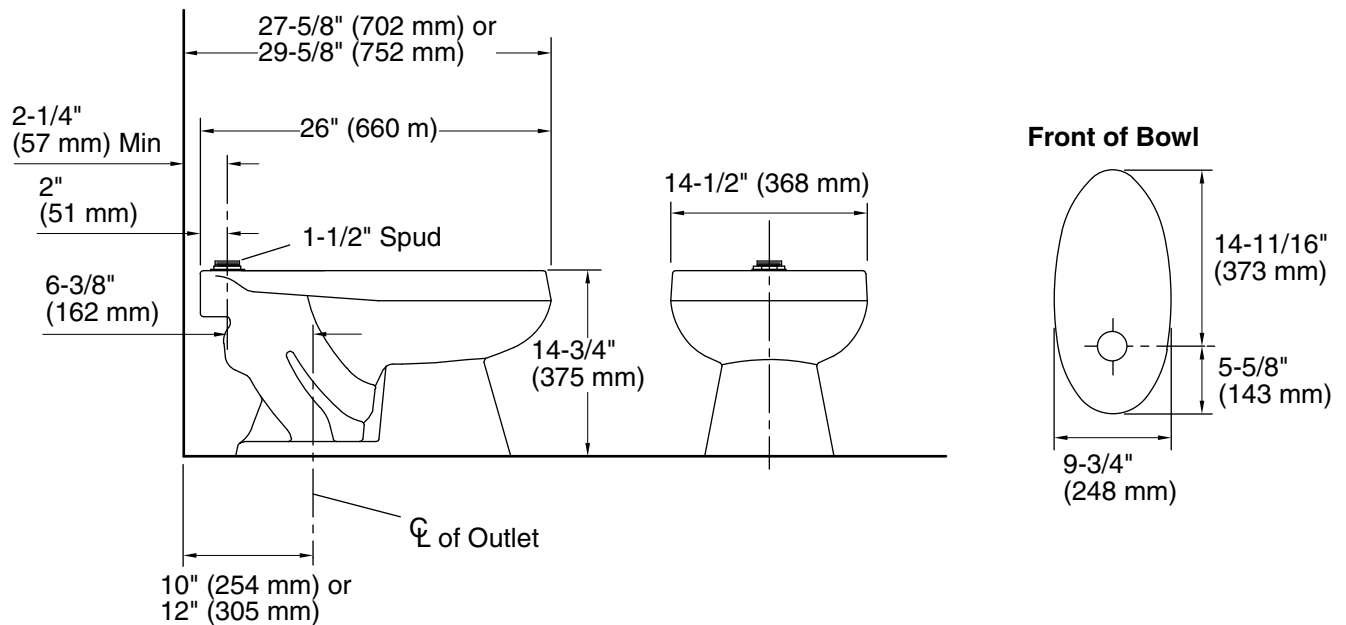
## Installation Notes

Install this product according to the installation guide.

Refer to manufacturer and local codes for flush valve requirements: for 12" (305 mm) rough-in, sweat extension nipple is required.

Will comply with **CSA B651** when installed per Clause 4.3.6 of the standard.

Will comply with **OBC Barrier Free** requirements when installed per Clause 3.8.3.8 and 3.8.3.9.



## Product Diagram