

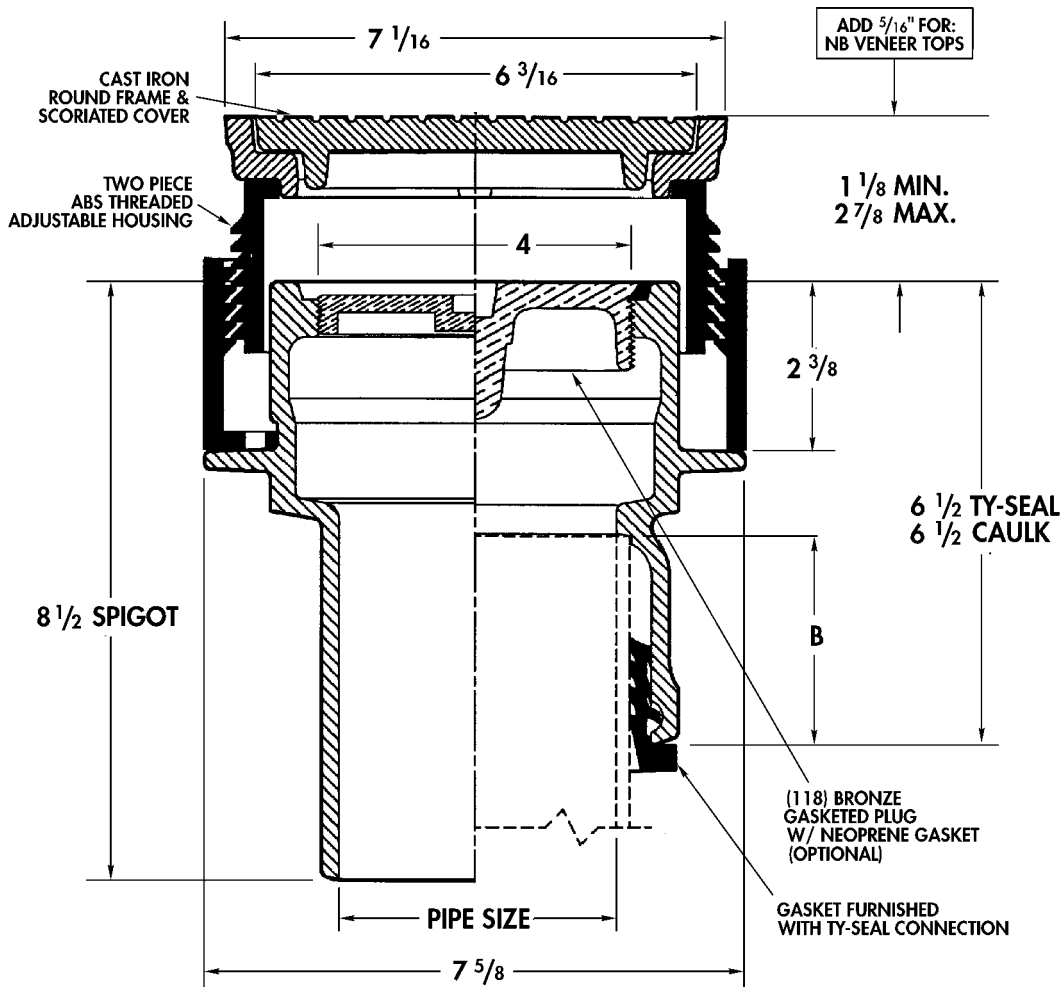
Floor Cleanouts



6000Z (Spigot Outlet, Inside Caulk, SV Hub Outlet)

Cast iron cleanout with threaded adjustable housing, flanged ferrule with round scoriated cast iron or with nickel bronze veneer tractor type cover.

ANSI Load Class - Special Duty (Over 10,000 lbs)



OPTIONS

Cat. No.	Pipe Size	B	Wt. Lbs.
<input type="checkbox"/> 6002Z	2	$2 \frac{1}{2}$	16
<input type="checkbox"/> 6003Z	3	$2 \frac{3}{4}$	17
<input type="checkbox"/> 6004Z	4	3	18

Suffix	Description
<input type="checkbox"/> 1	Nickel Bronze Veneer
<input type="checkbox"/> 39	Galvanized Iron Parts
<input type="checkbox"/> 75	Bronze Plug
<input type="checkbox"/> 118	Bronze Gasket Plug
<input type="checkbox"/> 179	Security Screws

OUTLET

Suffix	Description
<input type="checkbox"/> TY	Ty-Seal
<input type="checkbox"/> NH	No-Hub
<input type="checkbox"/> IC	Inside Caulk