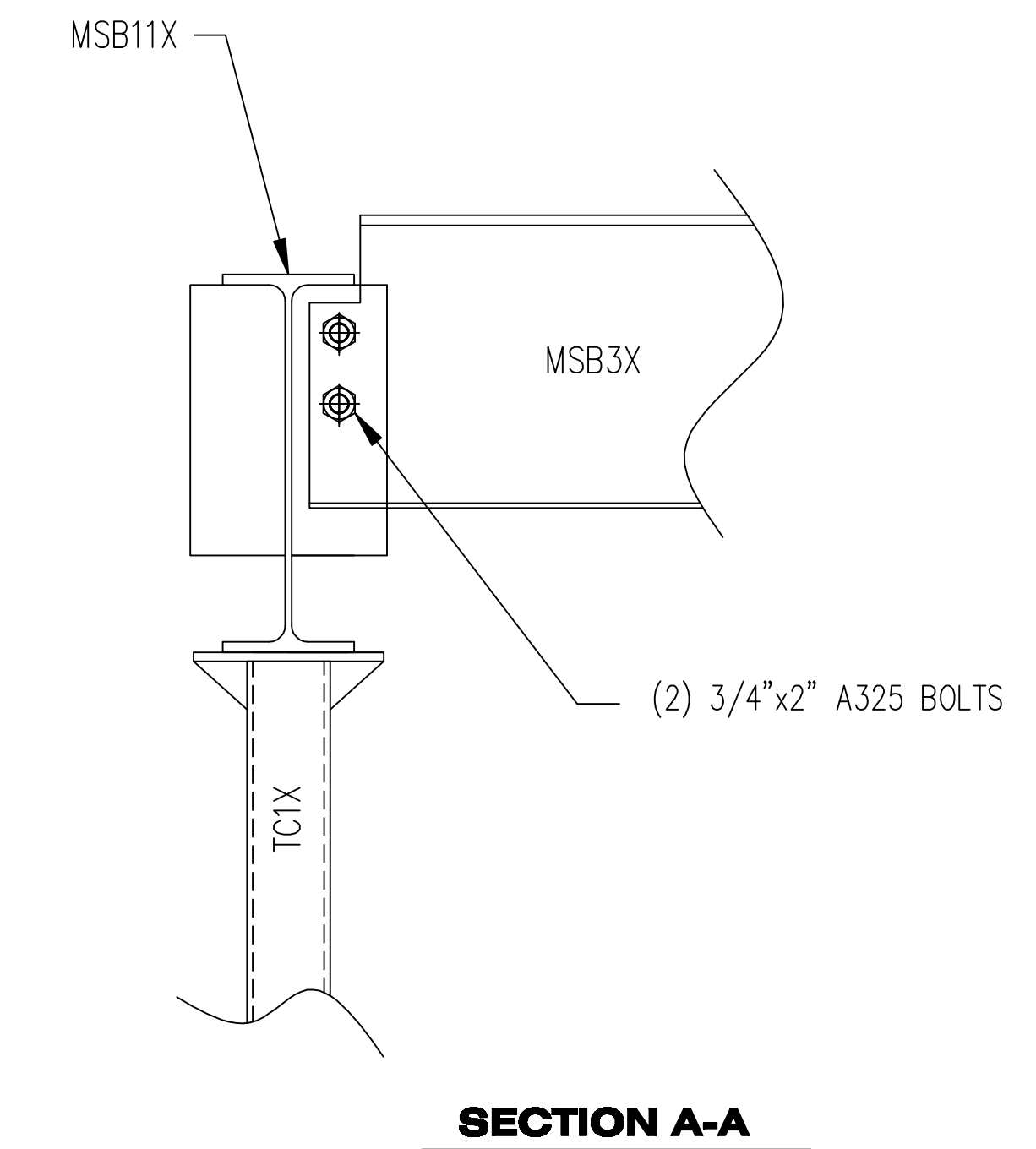
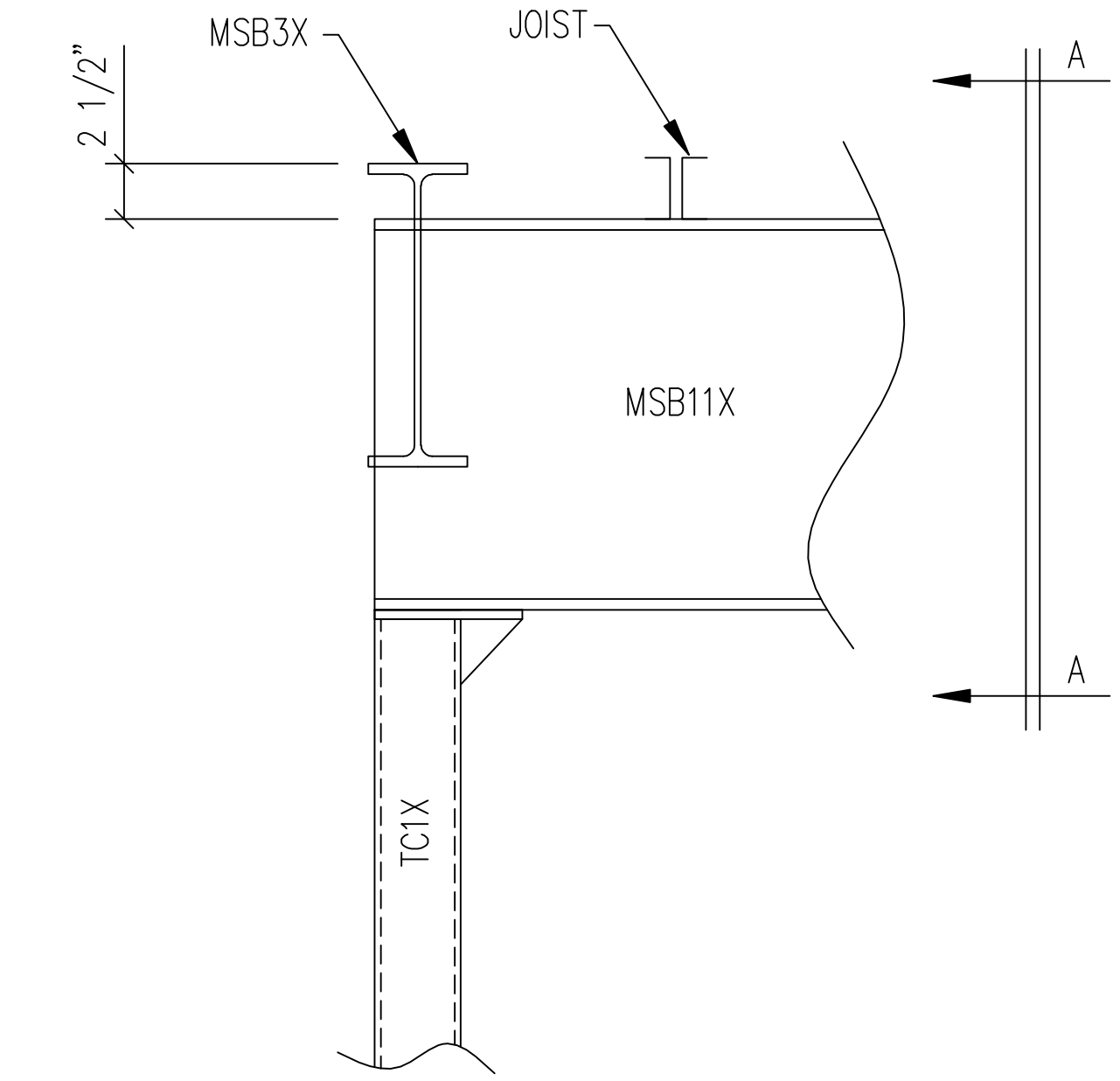
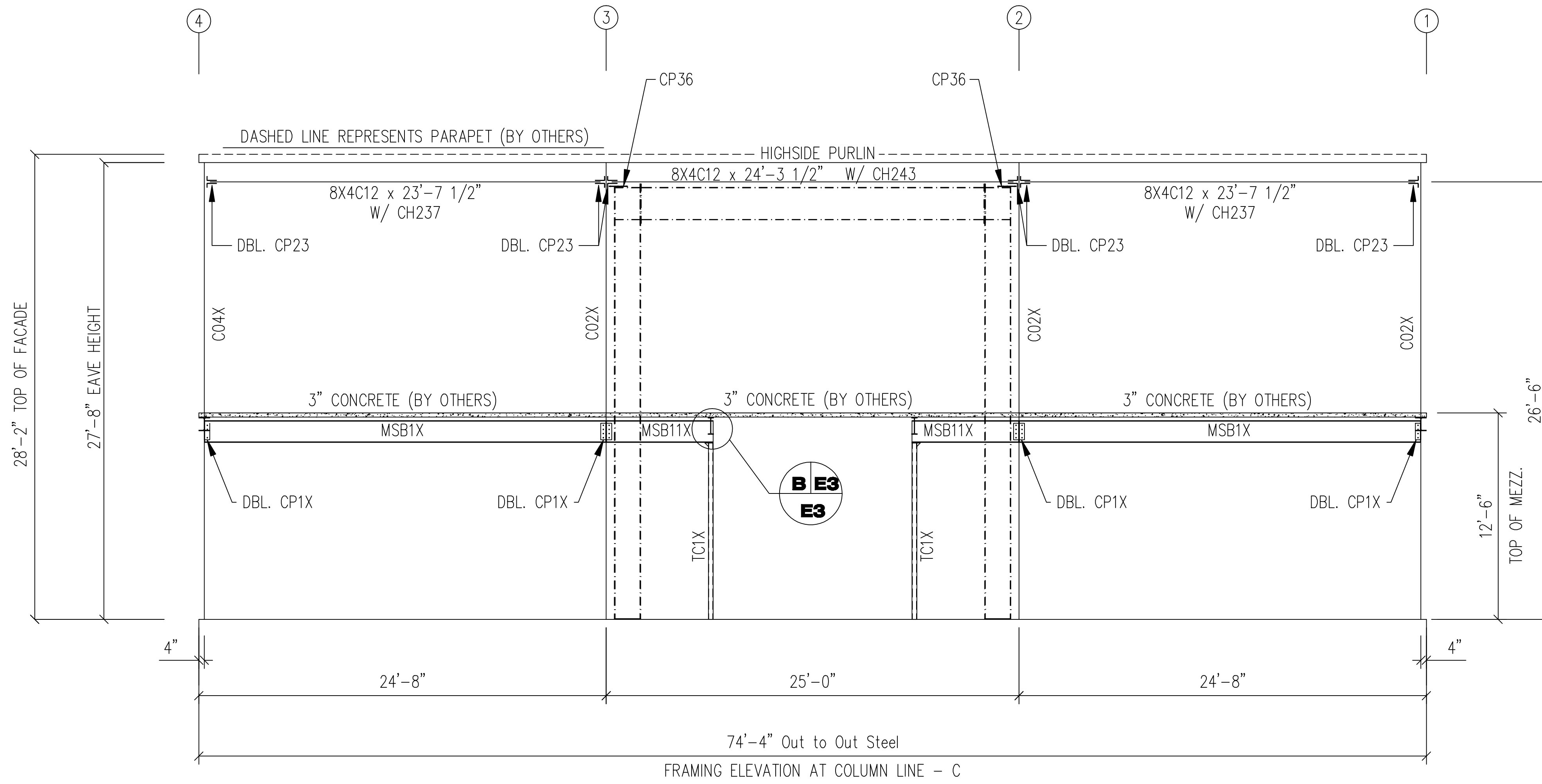
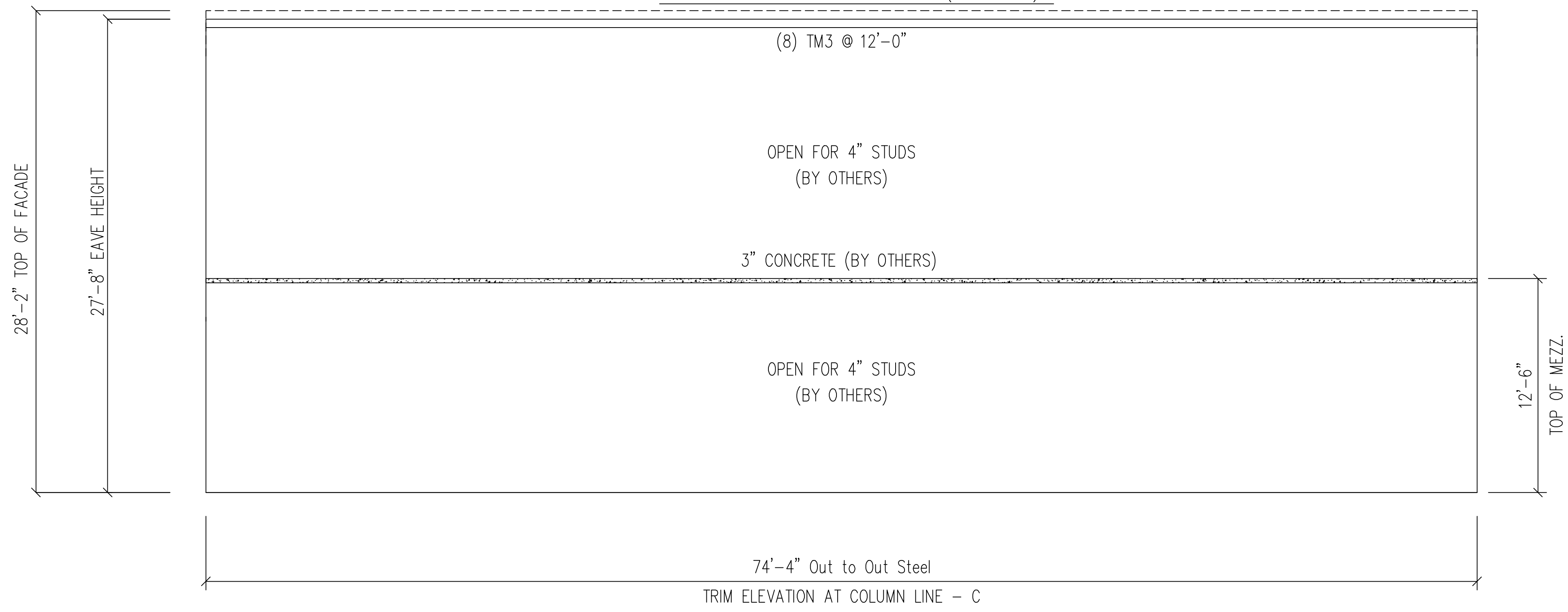


PARAPET TRIM AND PANELS BY OTHERS

DASHED LINE REPRESENTS PARAPET (BY OTHERS)



ERECTION SHEET		JOB	SHEET	REV.	REVISION	DWN.	CKD.	DATE
		R-4462	E3 OF 11	0				
JOB NAME: HAIR SALON SUPPLIES		JOB LOCATION: SLIDELL, LA.		DRAWN:	DATE	CHECKED:	DATE	SCALE: NTS
Hwy. 2 West - Oak Grove, La. - (318)428-2305		RUFFIN BUILDING SYSTEMS		PERMIT/APP: MY	DATE		DATE	2/13/12

APPROVED

PROFESSIONAL ENGINEER