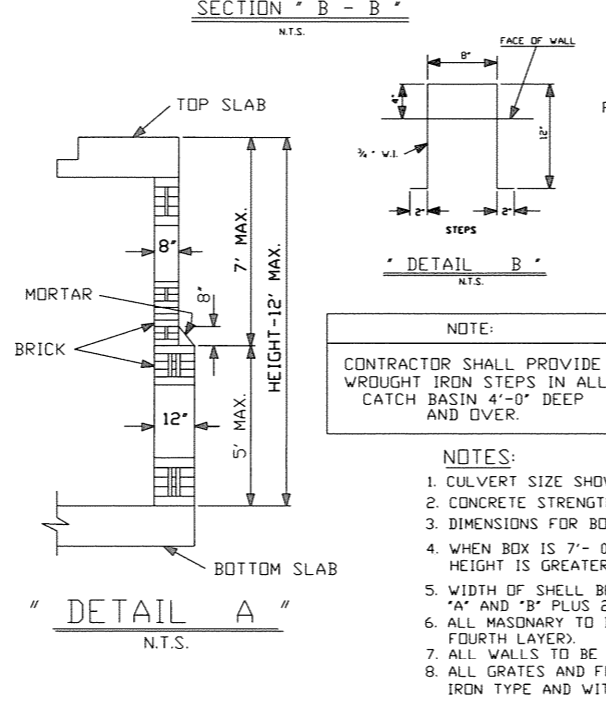
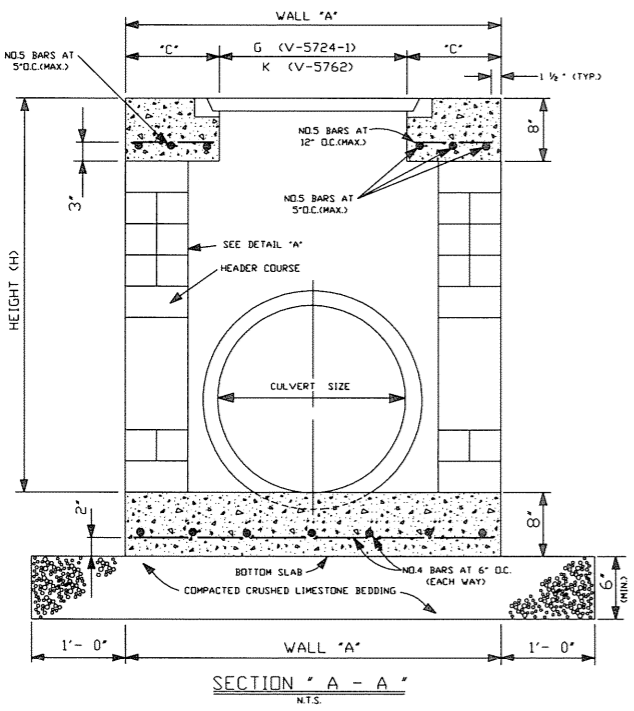


| SQUARE "GRATE" (V-5724-1) | | | | | | | |
|---------------------------|---------------|----------|-------|---------------------|---------------|---------------|-------|
| CULVERT SIZE | BOTTOM SLAB | TOP SLAB | C & D | CULVERT SIZE | BOTTOM SLAB | TOP SLAB | C & D |
| 12" DIA. | 3'-2" X 3'-2" | - | - | 21" DIA. X 24" DIA. | 4'-6" X 4'-6" | 4'-6" X 4'-6" | - |
| 15" DIA. | 3'-2" X 3'-2" | - | - | 27" DIA. X 30" DIA. | 4'-6" X 4'-6" | 4'-6" X 4'-6" | - |
| 18" DIA. | 3'-6" X 3'-6" | - | - | 36" DIA. | 5'-0" X 5'-0" | 5'-0" X 5'-0" | - |

| RECTANGULAR "GRATE" (V-5762) | | | | |
|------------------------------|----------|----------------------|----------|----------------------|
| CULVERT SIZE ON WALLS A & B | WALL "A" | "C" | WALL "B" | "D" |
| 21" DIA. & 24" DIA. BK S | 4'-6" | 14 1/2" (3 NDS BARS) | 5'-0" | 14 1/2" (3 NDS BARS) |
| 27" DIA. & 30" DIA. BK S | 4'-6" | 14 1/2" (3 NDS BARS) | 5'-0" | 14 1/2" (3 NDS BARS) |
| 36" DIA. BK S | 5'-0" | 17 1/2" (3 NDS BARS) | 5'-0" | 14 1/2" (3 NDS BARS) |
| 42" DIA. BK S | 5'-6" | 20 1/2" (4 NDS BARS) | 5'-6" | 17 1/2" (4 NDS BARS) |
| 48" DIA. BK S | 6'-0" | 23 1/2" (4 NDS BARS) | 6'-0" | 20 1/2" (4 NDS BARS) |
| 54" DIA. BK S | 6'-8" | 27 1/2" (5 NDS BARS) | 6'-8" | 24 1/2" (5 NDS BARS) |
| 60" DIA. BK S | 7'-6" | 32 1/2" (6 NDS BARS) | 7'-6" | 29 1/2" (6 NDS BARS) |
| 72" DIA. BK S | 8'-8" | 39 1/2" (8 NDS BARS) | 8'-8" | 36 1/2" (7 NDS BARS) |



NOTE:

CONTRACTOR SHALL PROVIDE WROUGHT IRON STEPS IN ALL CATCH BASIN 4'-0" DEEP AND OVER.

NOTE:

FOR PER POUR INSPECTION CALL THE DEPARTMENT OF ENGINEERING AT 736-6793 FOR APPOINTMENT

- NOTES:
1. CULVERT SIZE SHOWN PERTAIN TO B & S PIPE. (UNLESS OTHERWISE SPECIFIED).
 2. CONCRETE STRENGTH TO BE 3,000 PSI (MINIMUM) AT 28 DAYS.
 3. DIMENSIONS FOR BOTTOM SLAB AS PER DIMENSIONS FOR WALLS "A" AND "B".
 4. WHEN BOX IS 7'-0" OR LESS IN HEIGHT, WALLS TO BE 8" THICK. WHEN BOX HEIGHT IS GREATER THAN 7'-0" BUT LESS 12'-0". SEE DETAIL "A".
 5. WIDTH OF SHELL BEDDING SHALL BE AS PER DIMENSIONS SHOWN FOR WALLS "A" AND "B" PLUS 2'-0".
 6. ALL MASONRY TO BE LAID WITH RUNNING BOND AND HEADER COURSE (EVERY FOURTH LAYER).
 7. ALL WALLS TO BE PLASTERED INSIDE AND OUTSIDE (3/8" MIN. THICKNESS). ALL CAST IRON TYPE AND WITHOUT PAINT.
 8. ALL GRATES AND FRAMES SHALL BE VULCAN FOUNDRY OR APPROVED EQUAL.

COMMERCIAL PLAN OF DETAIL NO. 10

JEFFERSON PARISH DEPARTMENT OF ENGINEERING

DRAWING TITLE

DROP INLET DETAILS

| | | | | | | | |
|-----------|--------|-------|----------|-------------------|--------|-------|----------|
| DRAWN BY: | T.V.C. | DATE: | 8-11-93 | REVISED: | - | DATE: | - |
| REVISION: | H.J.W. | DATE: | 01/25/05 | REVISION: | - | DATE: | - |
| REVISION: | H.J.W. | DATE: | 06/29/05 | SPR/AUTOCAD/2004: | H.J.W. | DATE: | 01/21/05 |

PROJ: AUTOCAD-LT.2004(CHAROLDID)

DWG: DETAIL-010.DWG(Detail-010)

FILE NUMBER: ENV-09