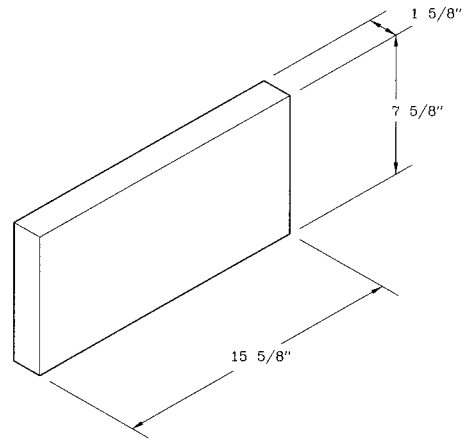


2" Regular & Smooth Face CMU

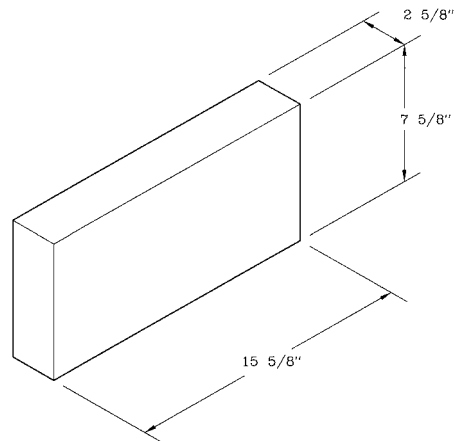
REG020816 Solid



2x8x16 Solid CMU

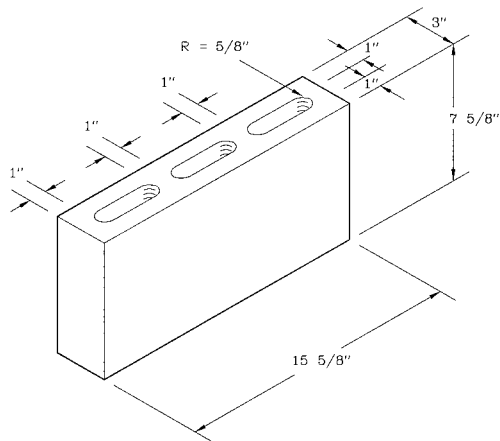
3" Regular & Smooth Face CMU

REG030816 Solid



3x8x16 Solid CMU

REG030816 Hollow

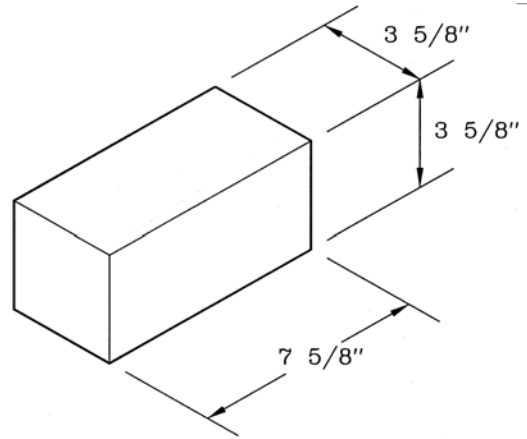


3x8x16 Hollow CMU (Actual Width)

Left Blank Intentionally

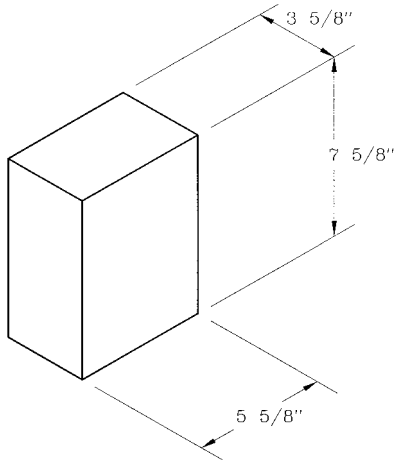
**4" Regular &
Smooth Face CMU**

REG040408 Solid



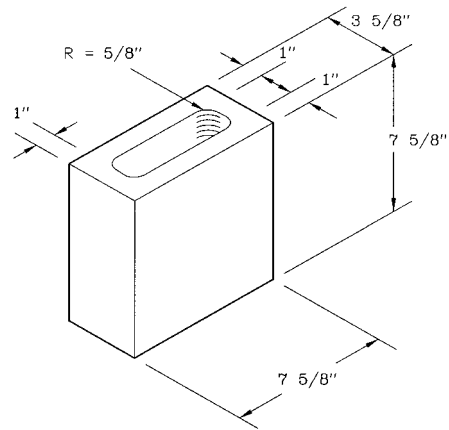
4x4x8 Solid CMU

REG040806 Solid



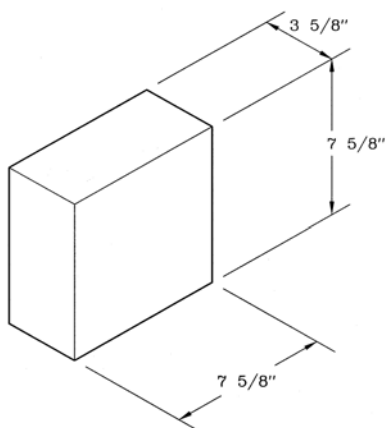
4x8x6 Solid CMU

REG040808 Hollow



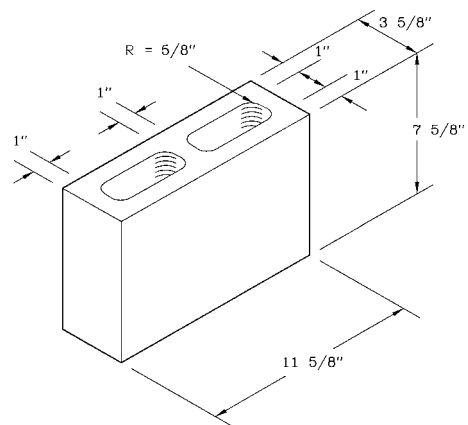
4x8x8 Half Hollow CMU

REG040808 Solid

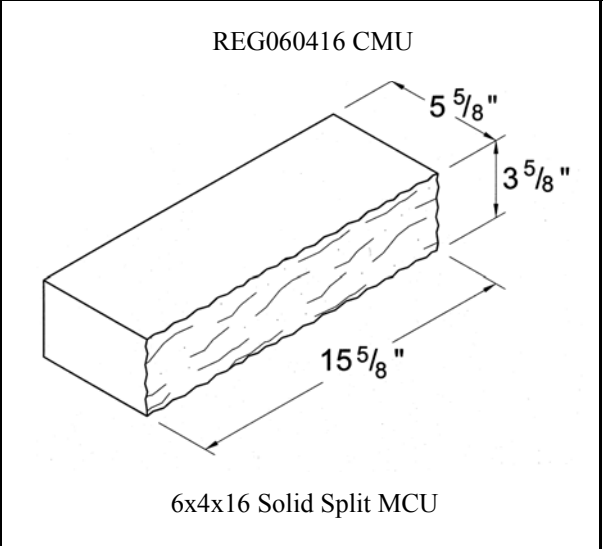
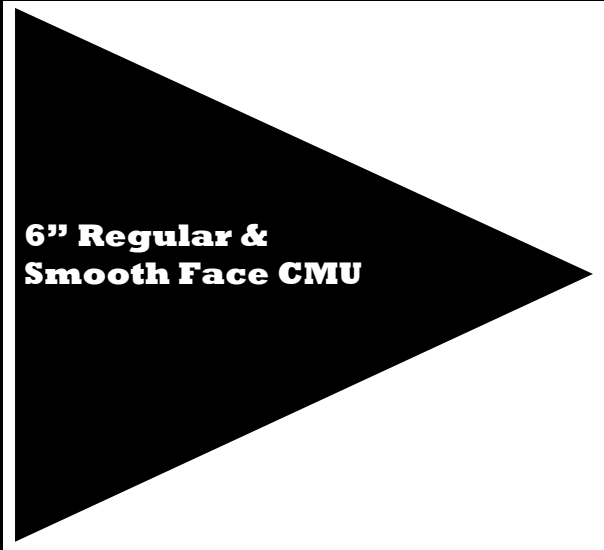
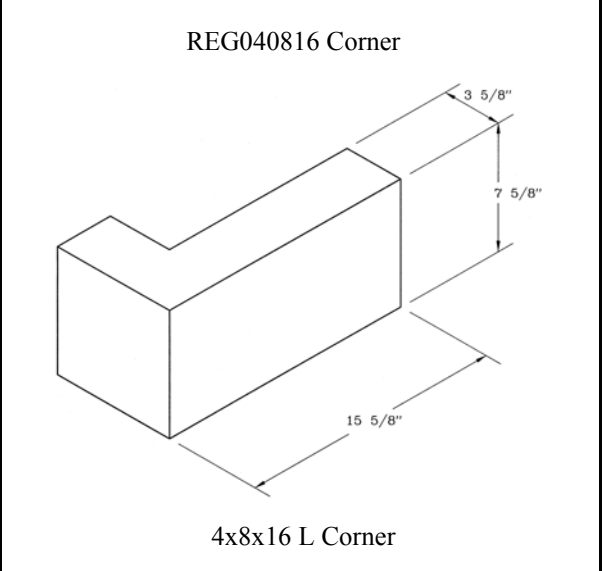
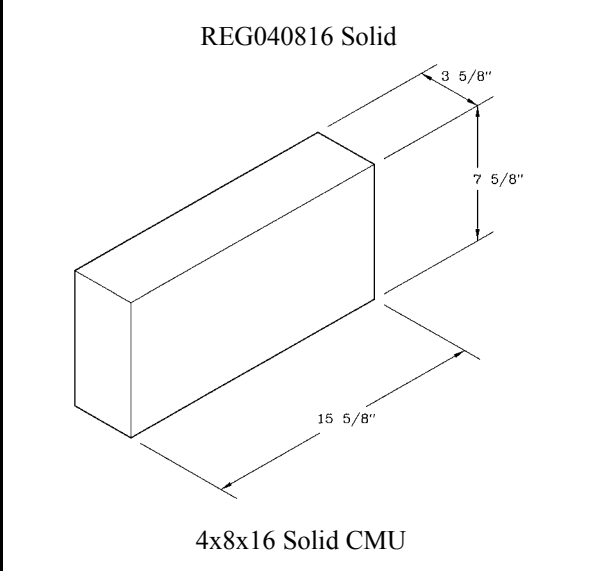
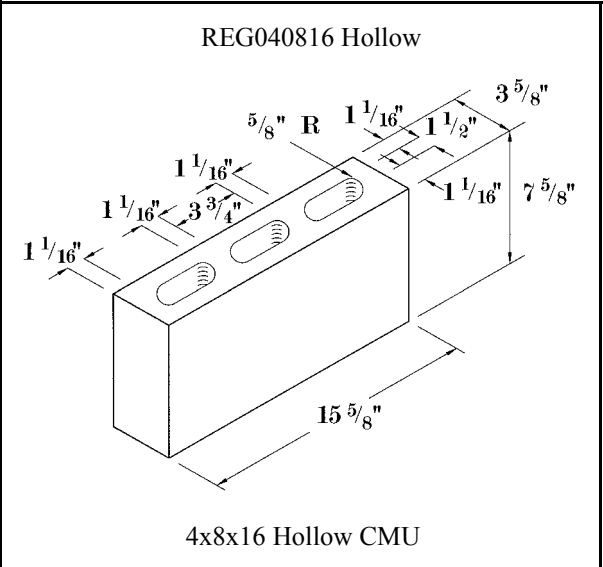
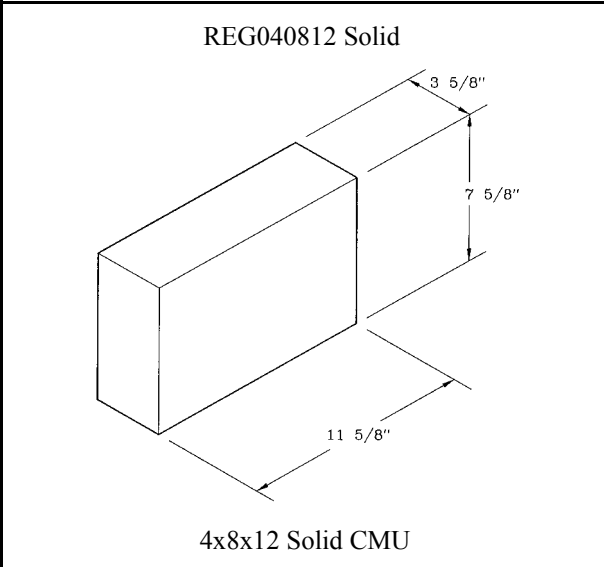


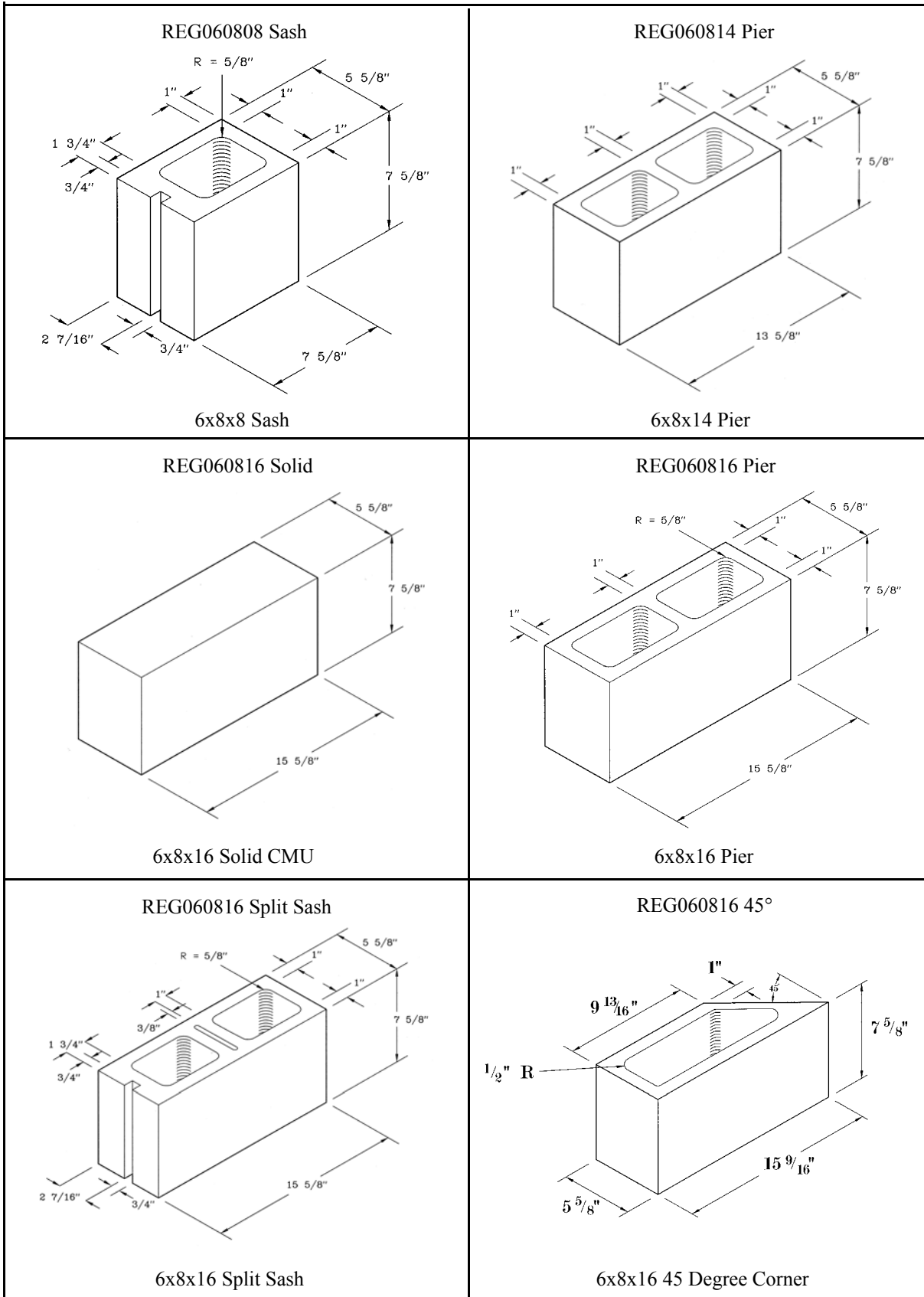
4x8x8 Solid CMU

REG040812 Hollow

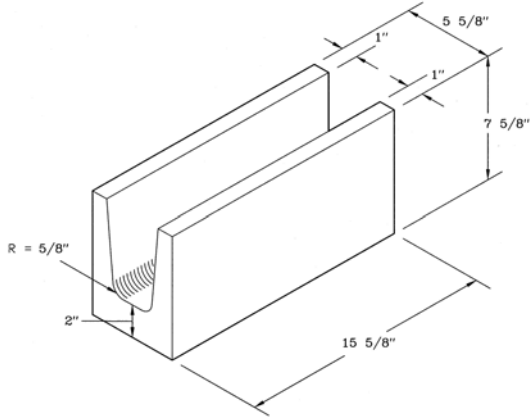


4x8x12 Hollow CMU



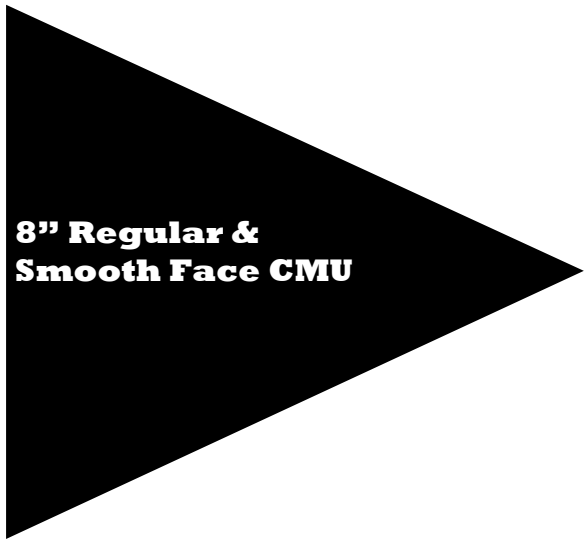


REG060816 Beam

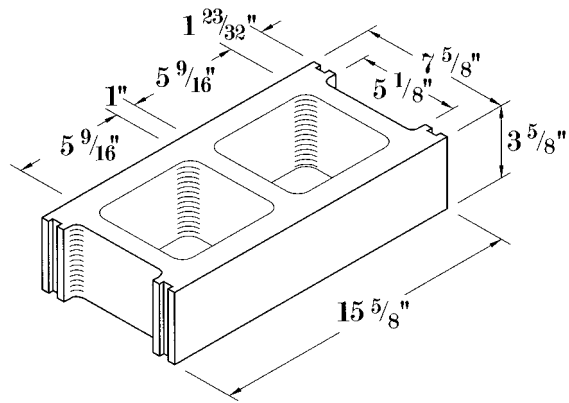


6x8x16 Solid Bottom Bond Beam

Left Blank Intentionally

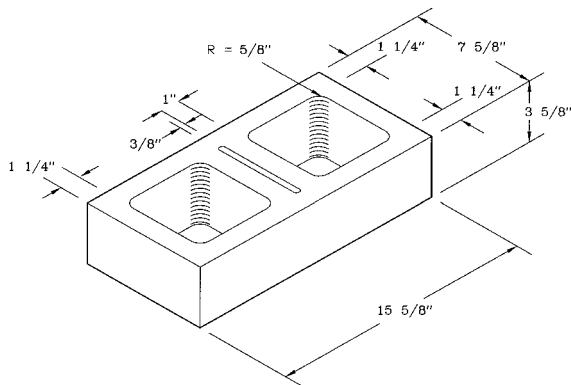


REG080416 Stretcher



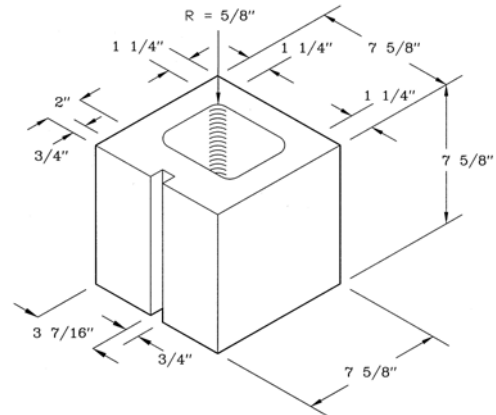
8x4x16 Double Stretcher

REG080416 Split Pier

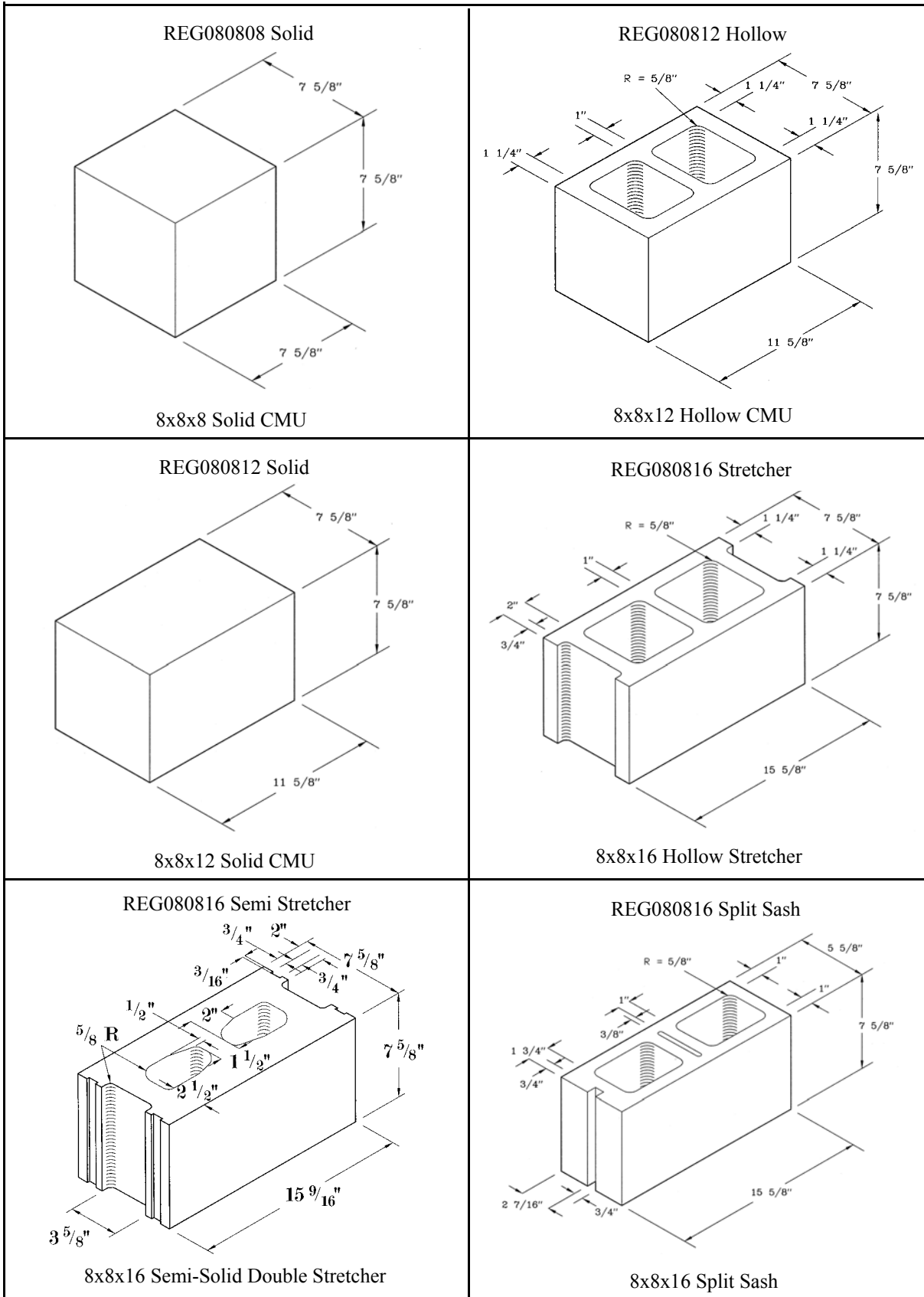


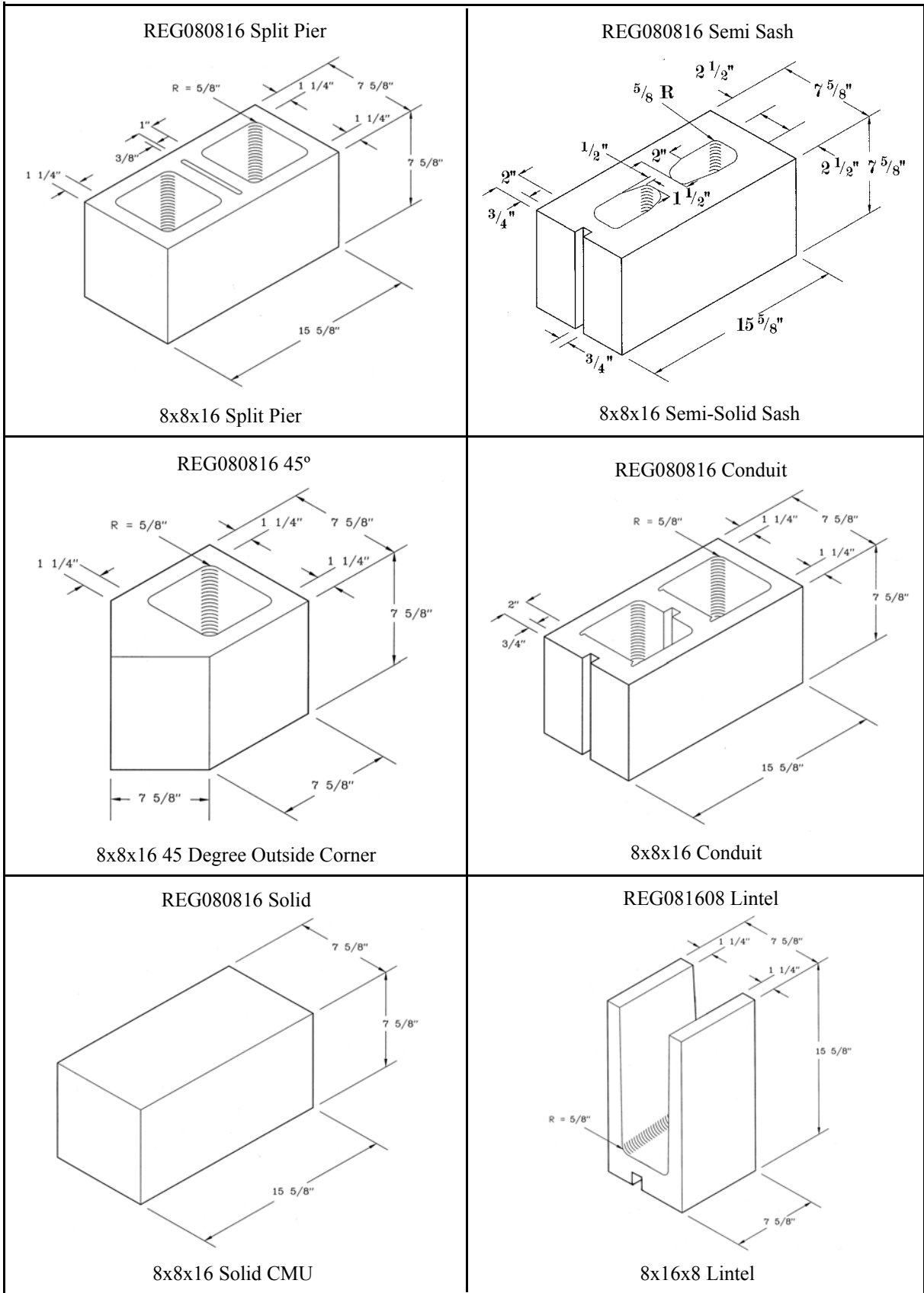
8x4x16 Split Pier

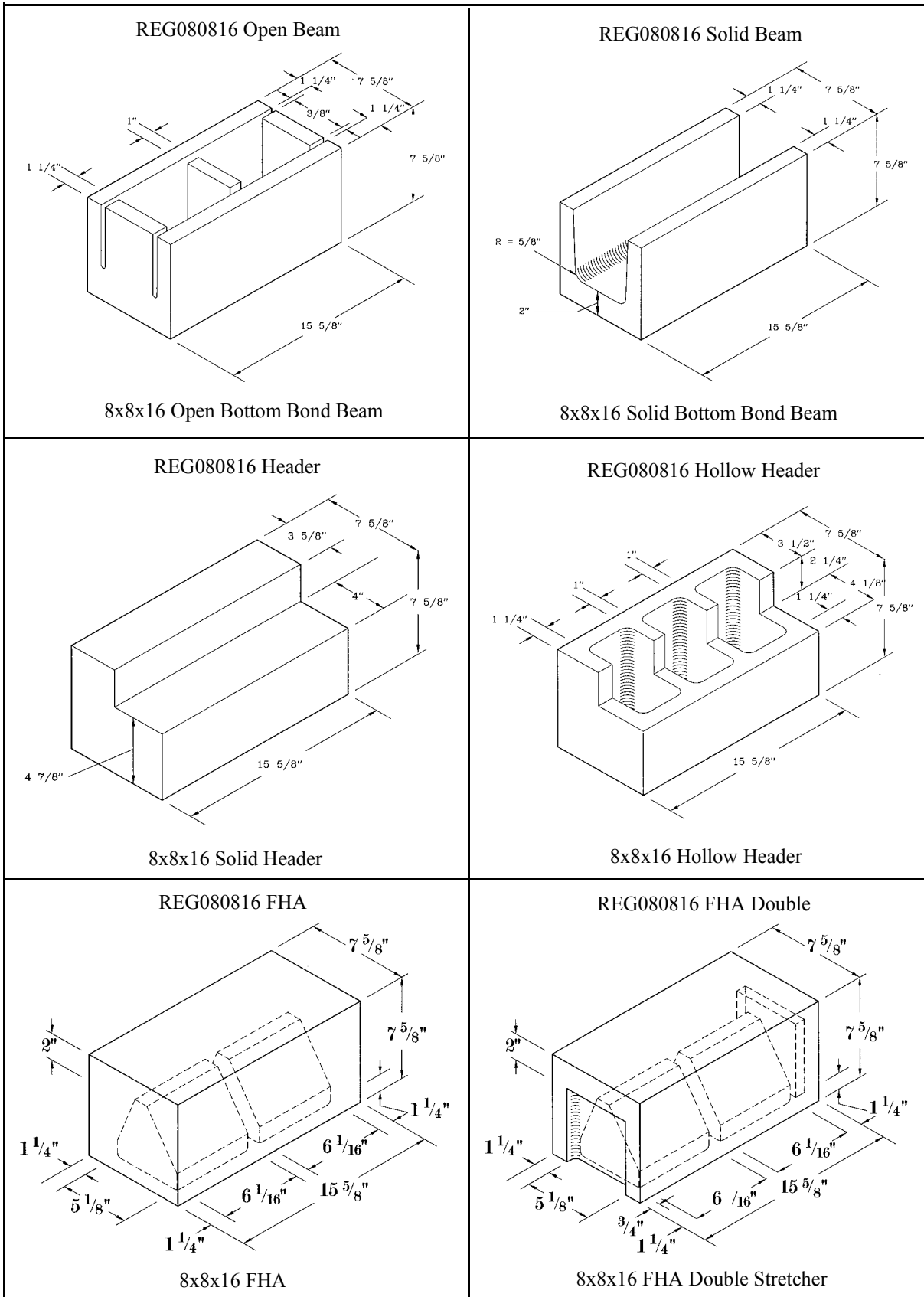
REG080808 Sash



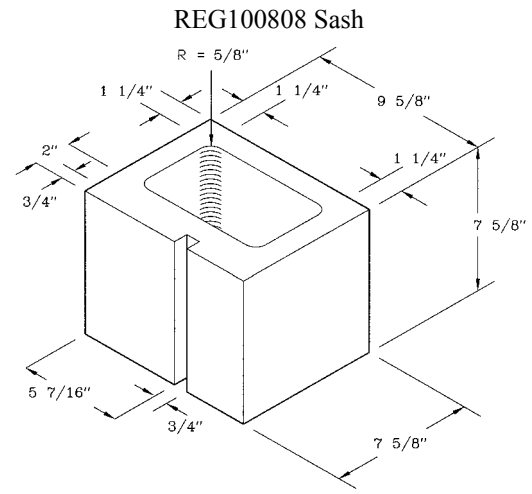
8x8x8 Sash



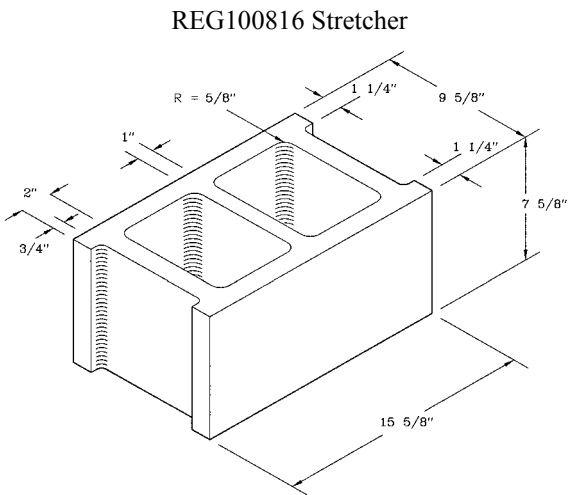




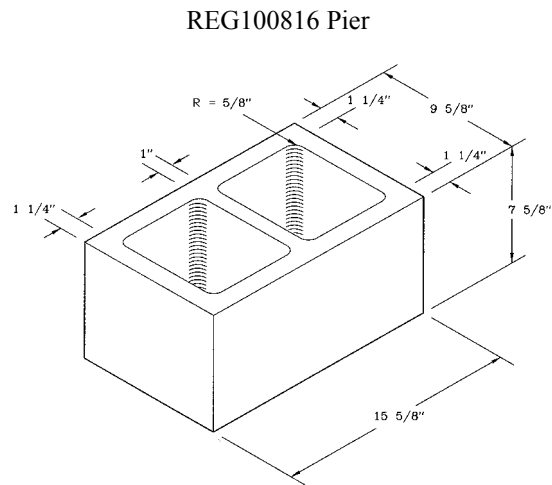
10" Regular & Smooth Face CMU



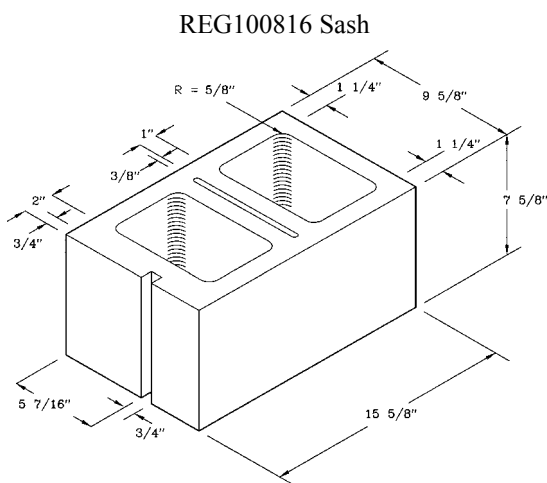
10x8x8 Sash



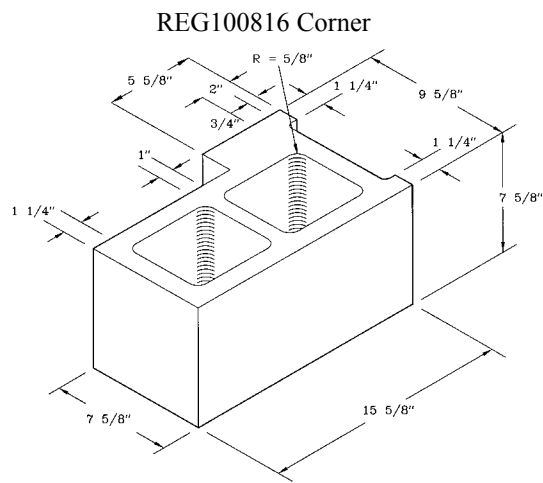
10x8x16 Hollow Stretcher



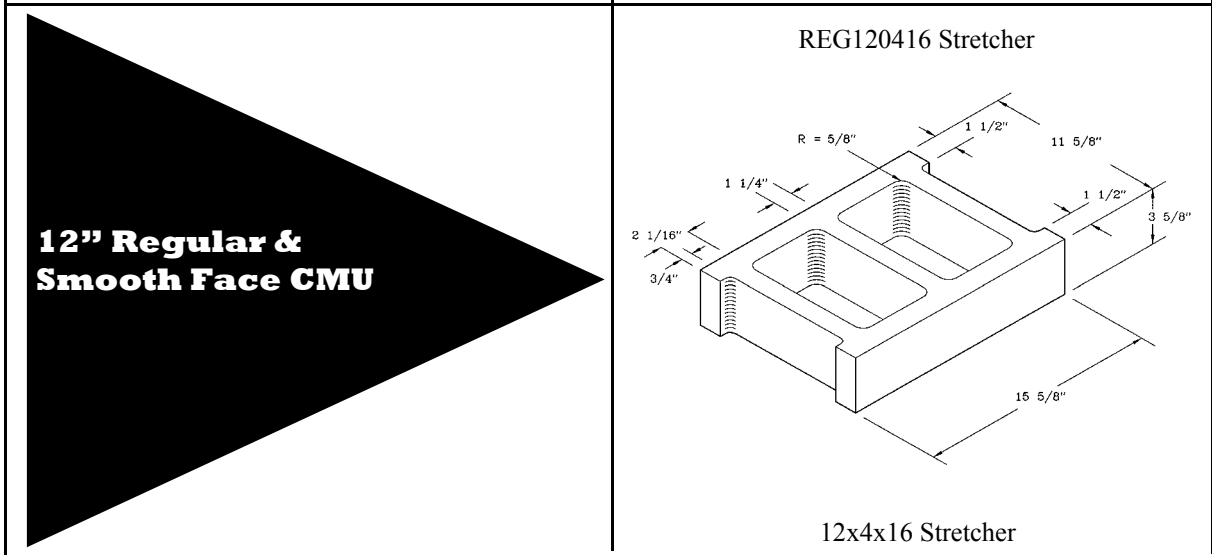
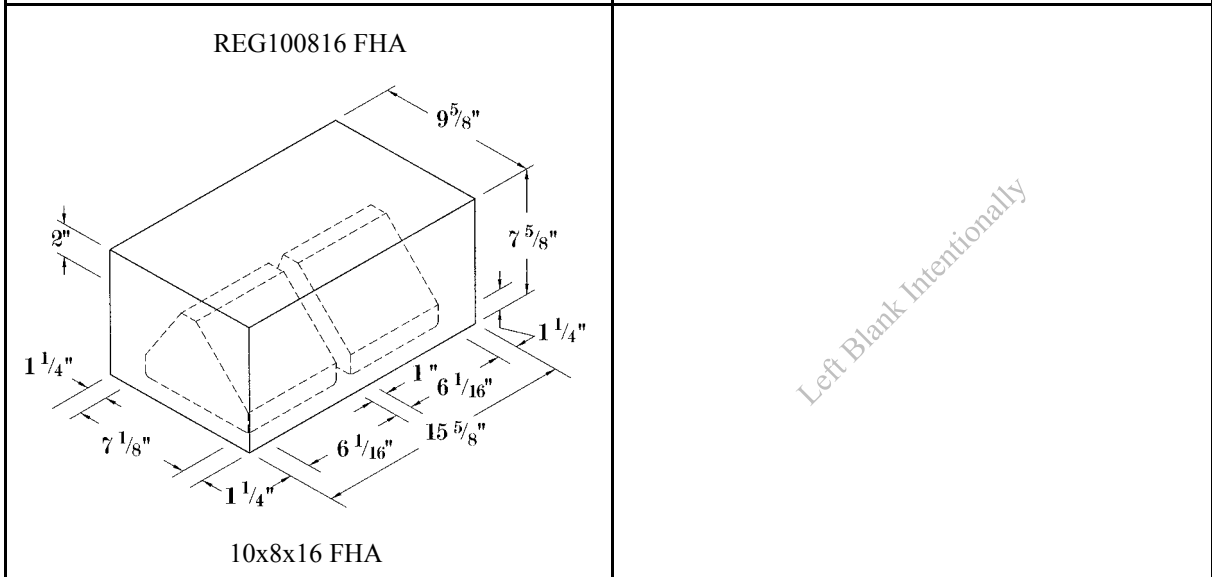
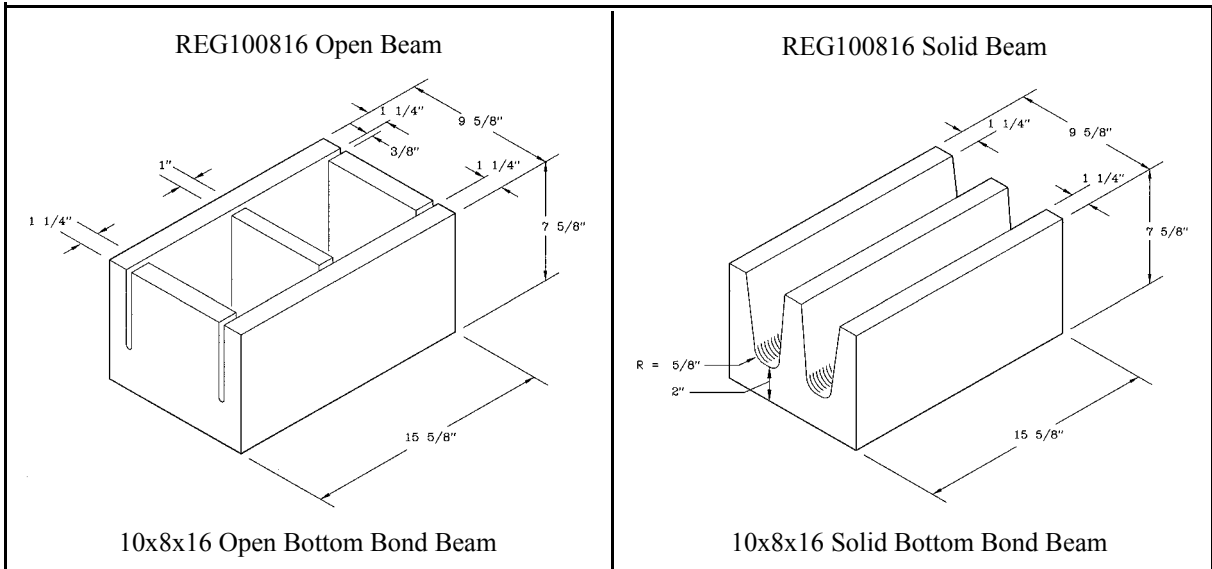
10x8x16 Pier

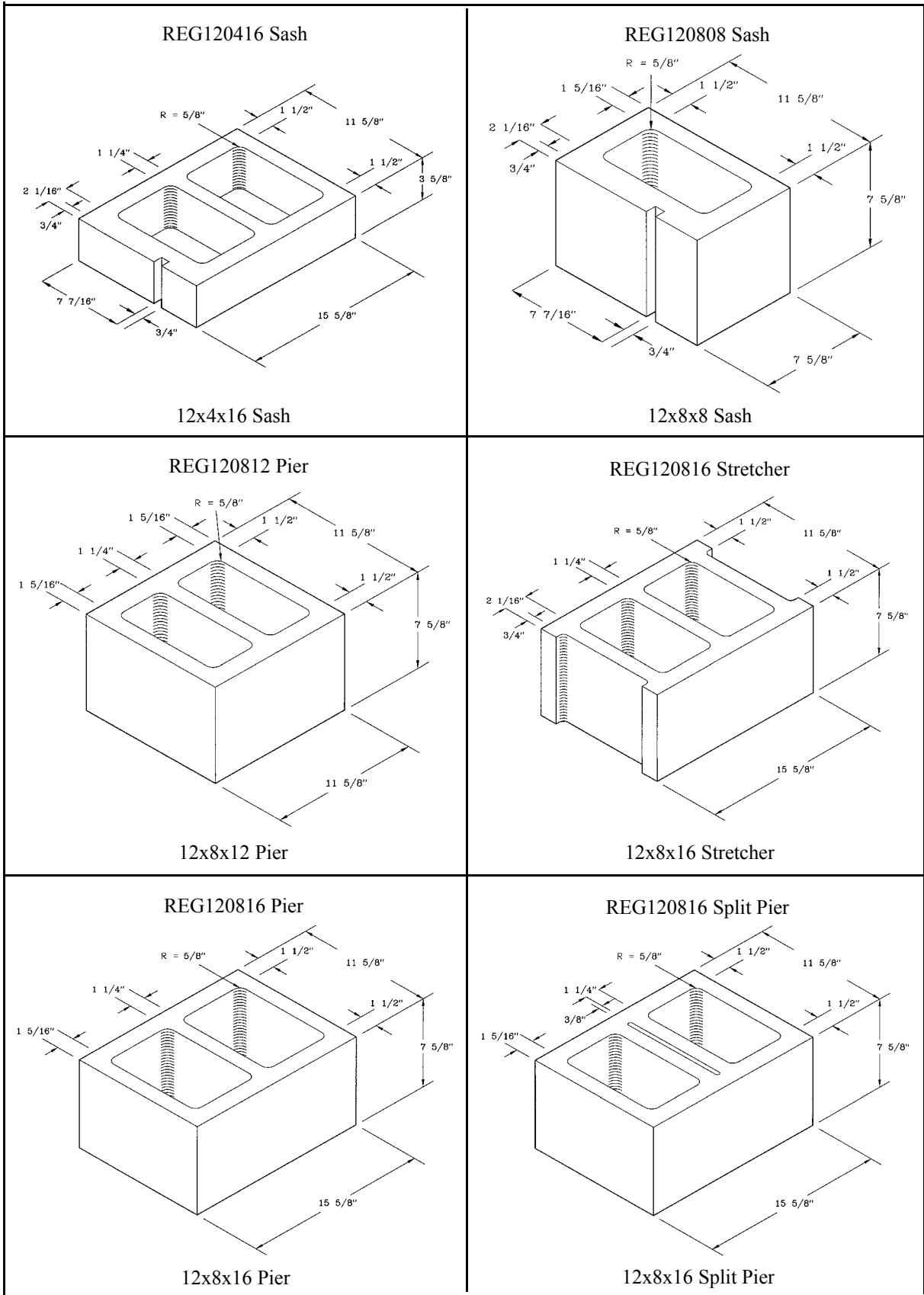


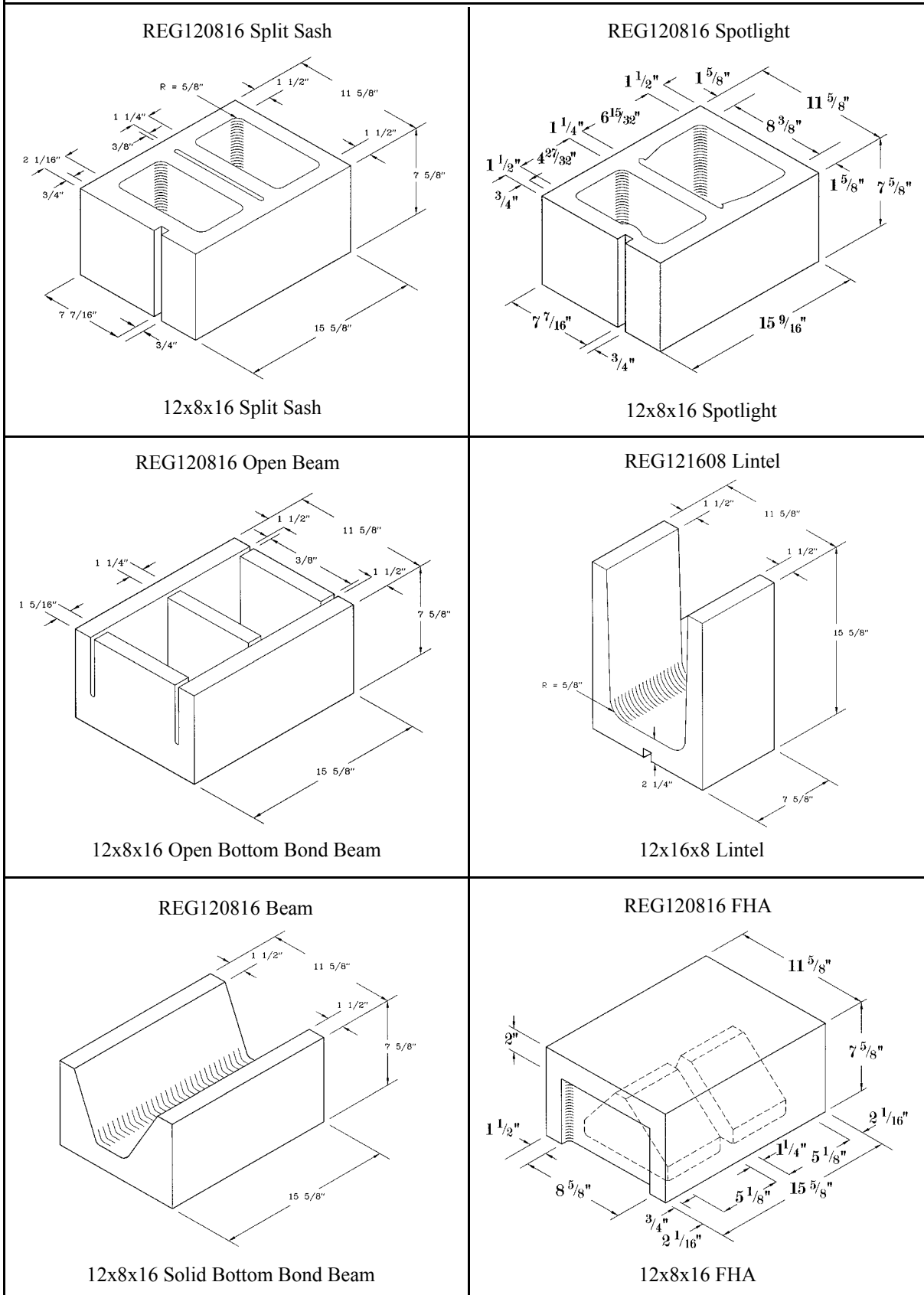
10x8x16 Sash



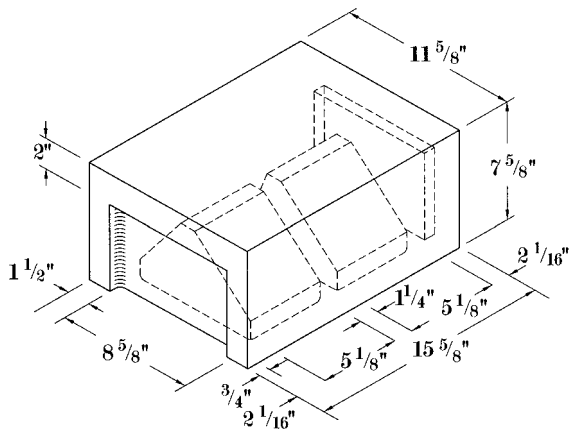
10x8x16 L Corner







REG120816 FHA Double

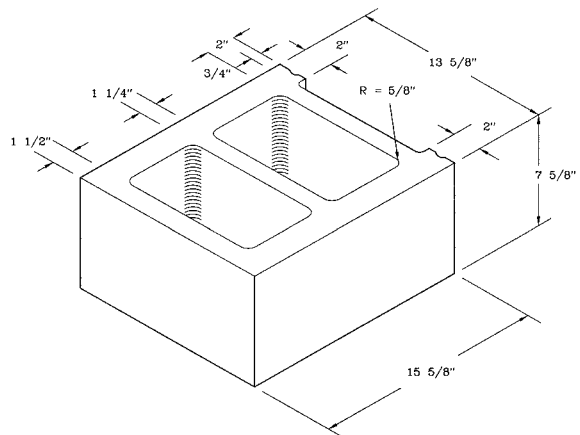


12x8x16 Double FHA

Left Blank Intentionally

14" Regular & Smooth Face CMU

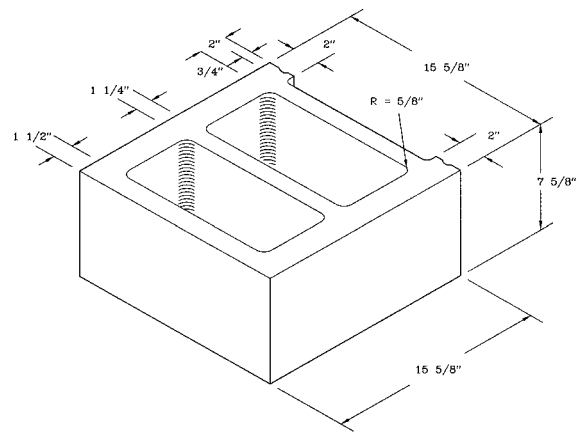
REG140816 Stretcher



14x8x16 Hollow Stretcher

16" Regular & Smooth Face CMU

REG160816 Stretcher



16x8x16 Hollow Stretcher