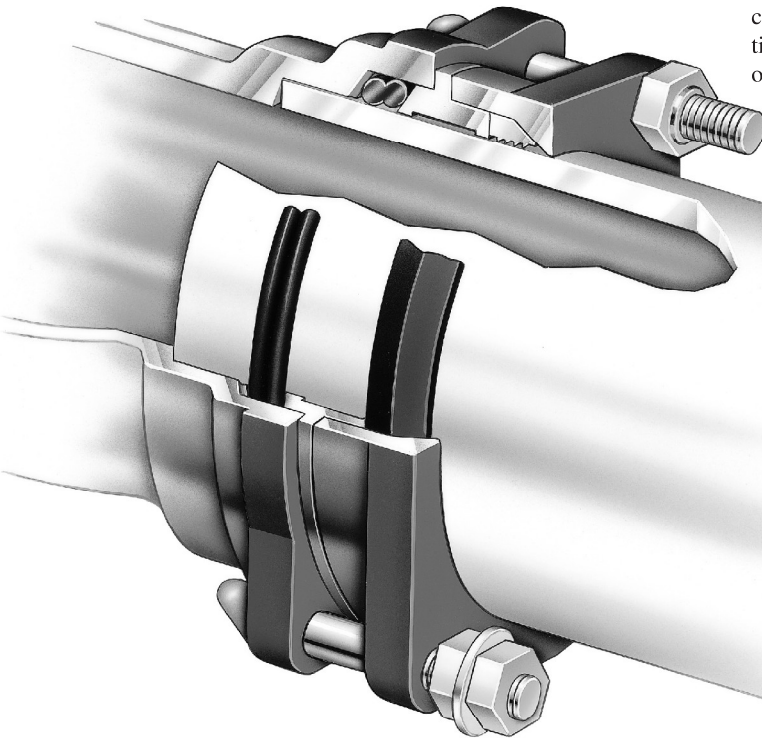


**MUELLER® 2361 SERIES RESILIENT WEDGE GATE VALVES
WITH AQUA-GRIP™ SYSTEM**

The Mueller® Aqua-Grip™ System is offered in 4" through 12" sizes of the Mueller 2361 Series Resilient Wedge Gate Valves. This Mueller exclusive combines both the compression connection and the pipe restraint system in one convenient, quick installation package. This eliminates the need for anchor couplings, tie rods or separate gland-type restrains. A typical Aqua-Grip connection uses fewer bolts than a conventional mechanical joint end, and substantially fewer than a gland-type restraint, significantly reducing installation time. This "labor saving" system is also available on Mueller Centurion® Fire Hydrants, and as separate couplings and fittings to compliment water main installation needs.

- ❑ ACCEPTS VARIED TYPES OF PIPE – DIPS style fits DI, C900 PVC and DIPS PE pipe. IPS style fits PVC, IPS PE and steel pipe. No disassembly or adapters, no special pipe end preparation, and no liner for PE pipe (DR9-DR17) required.
- ❑ FULLY ASSEMBLED STAB CONNECTION – arrives ready to insert the pipe, tighten the bolts and it's done. No need to change-out, add or remove parts. Nothing additional to inventory or handle in the field. No extra bolts to assemble or tighten. Substantially reduces labor and inventory costs.
- ❑ VISUALLY SHOWS WHEN PROPERLY TIGHTENED – break-away nuts snap off using a standard wrench. No special torque requirements. Inner nut remains in place to allow future access to connection, if required. Reduces crew training and saves installation time. (In illustration, lower nut shown before tightening, upper one after.)
- ❑ PRESSURE RESPONSIVE O-RING SEAL – a double O-ring uses hydrostatic pressure from inside the pipe to enhance the seal as line pressure increases.
- ❑ FULL CIRCUMFERENTIAL RESTRAINT – gripper ring encircles pipe for uniform grip without creating points of high stress in pipe wall that could contribute to pipe failure.
- ❑ INSTALLS IN WET CONDITIONS – no special field conditions required, even installs under water.
- ❑ DUCTILE IRON CONSTRUCTION – valve body, bonnet and the Aqua-Grip System components.
- ❑ PLUS ALL THE OTHER FEATURES OF THE 2300 SERIES VALVES



10.6



4"-12" A-2361 RESILIENT WEDGE GATE VALVE WITH AQUA-GRIP™ x AQUA-GRIP™ ENDS

Rev. 2-06 Shaded area indicates change.

- Catalog number–
A-2361-77 Aqua-Grip ends x Aqua-Grip ends for DIPS pipe in sizes 4", 6", 8", 10", 12"
A-2361-87 Aqua-Grip ends x Aqua-Grip ends for IPS pipe in sizes 4", 6", 8"
- Meets or exceeds all applicable requirements of ANSI/AWWA C515 Standard, UL Listed, FM Approved, and certified to ANSI/NSF 61.
- Ductile Iron body and bonnet with nominal 10 mils MUELLER® Pro-Gard™ Fusion Epoxy Coated interior and exterior surfaces
- Epoxy coating meets or exceeds all applicable requirements of ANSI/AWWA C550 Standard and is certified to ANSI/NSF 61
- Iron wedge, symmetrical & fully encapsulated with molded rubber; no exposed iron
- Non-rising stem (NRS)
- Triple O-ring seal stuffing box (2 upper & 1 lower O-rings), with fourth O-ring serving as dirt seal
- 2" square wrench nut (optional handwheel available)—open left or open right
- 250 psig (1723 kPa) maximum working pressure, 500 psig (3447 kPa) static test pressure
- UL Listed, FM Approved – 200 psig (1379 kPa)



A-2361-77

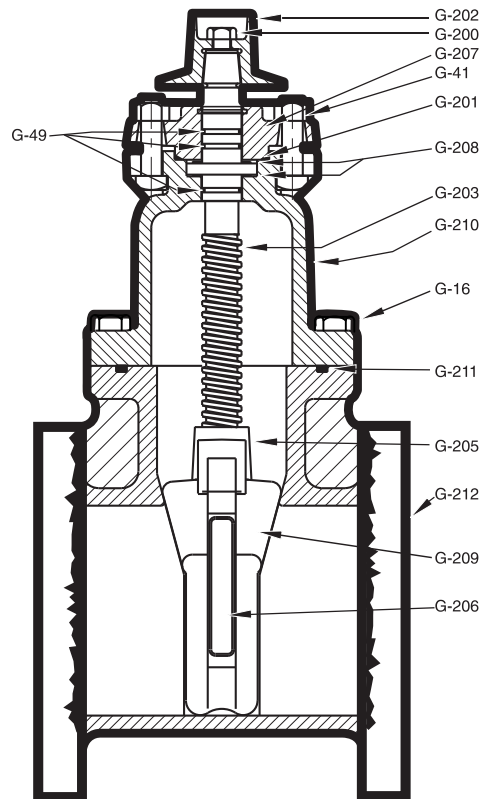
Options

See page 10.40 for more information on Resilient Wedge Gate Valve options

- Position indicators
- ASTM B98-C66100/H02 stem
- Stainless steel fasteners: Type 316
- Handwheel

Resilient wedge gate valve parts

Catalog Part No.	Description	Material	Material standard
G-16	Bonnet Bolts & Nuts	Stainless Steel	Type 304
G-41	Stuffing Box Bolts & Nuts	Stainless Steel	Type 304
G-49	Stem O-rings (3)	Rubber	
G-200	Wrench Nut Cap Screw	Stainless Steel	Type 304
G-201	Stuffing Box O-ring	Rubber	
G-202	Wrench Nut	Cast Iron	ASTM A126 CL.B
G-203	Stem	Bronze	ASTM B138
G-204	Hand Wheel (not shown)	Cast Iron	ASTM A126 CL.B
G-205	Stem Nut	Bronze	ASTM B62
G-206	Guide Cap Bearings	Celcon	
G-207	Stuffing Box with dirt seal	Cast iron Rubber	ASTM A126 CL.B --
G-208	Anti-friction Washers (2)	Celcon	
G-209	Wedge, Rubber Encapsulation	Cast Iron* SBR	ASTM A126 CL.B --
G-210	Bonnet	Ductile Iron	ASTM A536 Grade 65-45-12
G-211	Bonnet O-ring	Rubber	
G-212	Body	Ductile Iron	ASTM A536 Grade 65-45-12
G-213	Double O-ring**	Rubber	
G-214	Intermediate ring**	Ductile Iron	ASTM A536 Grade 65-45-12
G-215	Gripper ring**	Ductile Iron	ASTM A536 Grade 65-45-12
G-216	End ring**	Ductile Iron	ASTM A536 Grade 65-45-12
G-217	Breakaway nut w/washer***	Steel	
G-218	T-head Bolt***	Steel	



*Fully encapsulated in molded rubber with no iron exposed.

**Parts for Aqua-Grip connection not shown – one required for each Aqua-Grip connection.

***Not shown. See dimension drawing on next page for number require for each size Aqua-Grip connection.

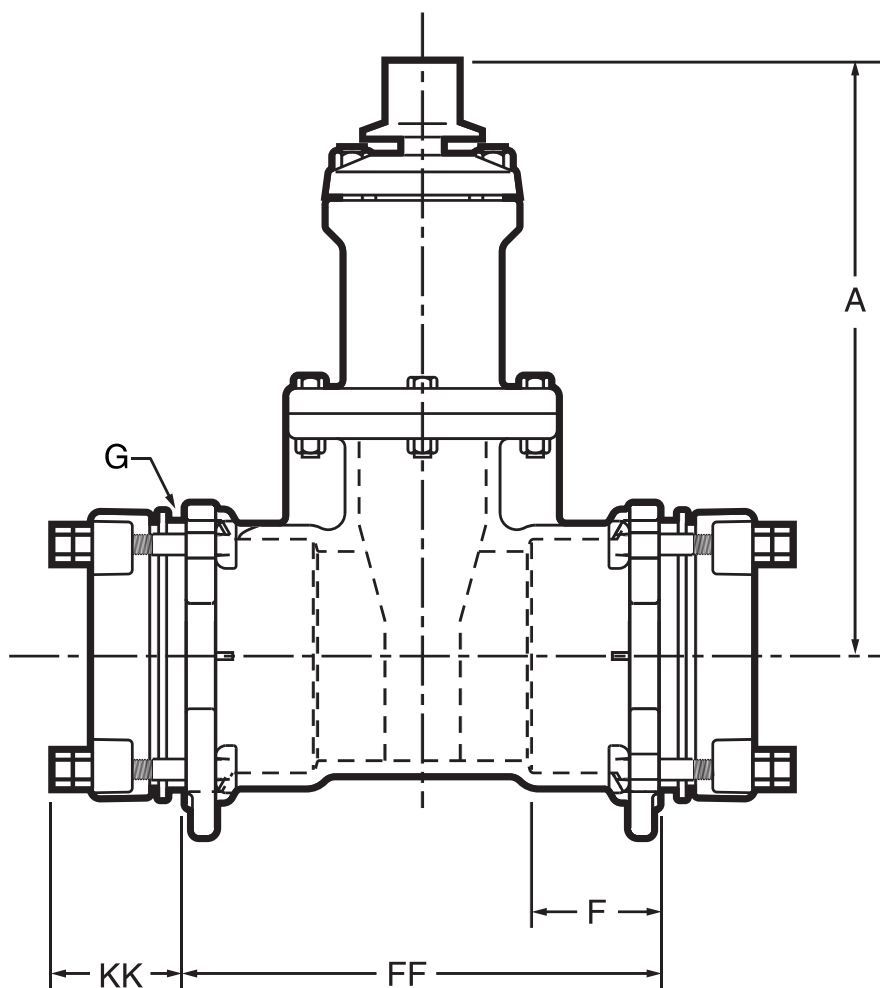
SEE PAGE 10.43 FOR ORDERING INSTRUCTIONS

4"-12" A-2361 RESILIENT WEDGE GATE VALVE WITH AQUA-GRIP™ x AQUA-GRIP™ ENDS

Mueller Co.

10.7

Rev. 2-06



Dimensions

Dimension*	Nominal size				
	4"	6"	8"	10"	12"
A	14.19	18.00	21.50	25.50	28.62
FF	12.68	15.12	16.94	18.06	18.90
G (number and size of holes for Aqua-Grip)	4--.88	4--.88	6--.88	8--.88	8--.88
F	3.70	3.70	3.70	3.89	3.89
KK	2.75	3.75	3.75	3.75	3.75
Turns to open	14	20.5	26.5	33.0	38.5
Weight*	119	162	256	380	475

*All dimensions are in inches. All weights are in approximate pounds.