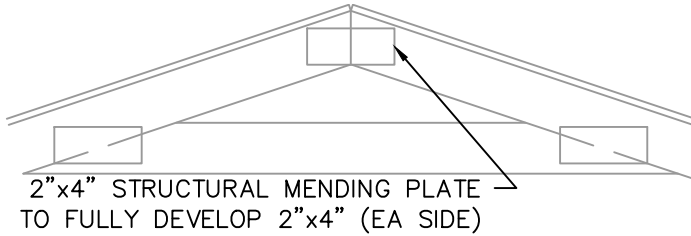
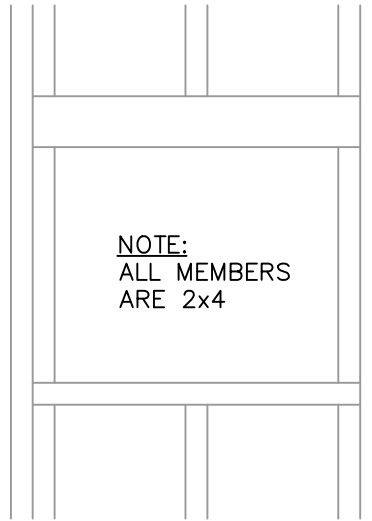


1-CORNER DETAIL

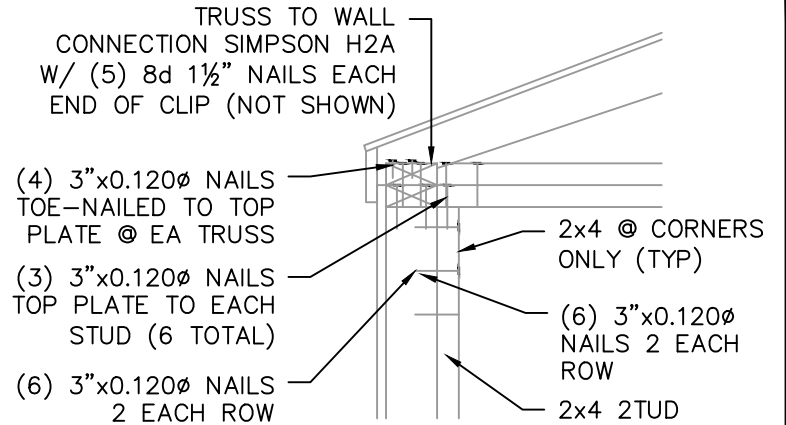


2-TRUSS SPLICE DETAIL



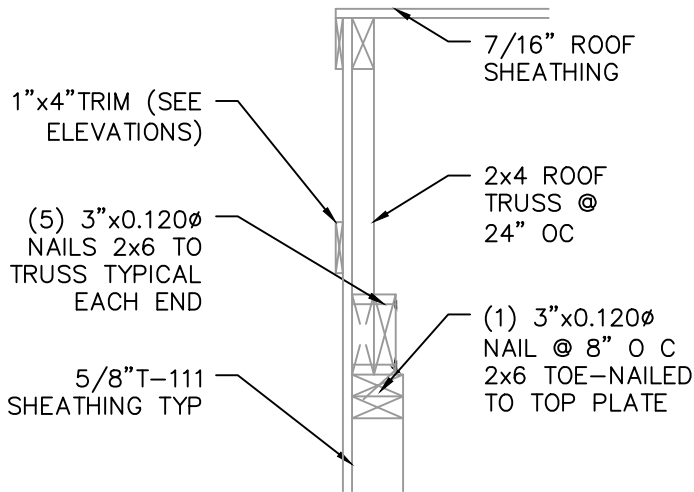
NOTE:  
ALL MEMBERS  
ARE 2x4

3-TYP WINDOW FRAMING

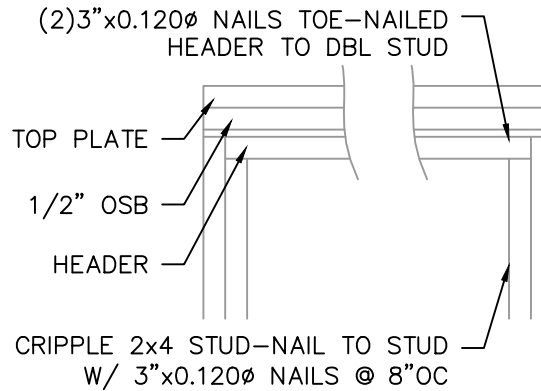


NOTE: INSTALL H2 5A PER MANUFACTURERS  
RECOMMENDATIONS

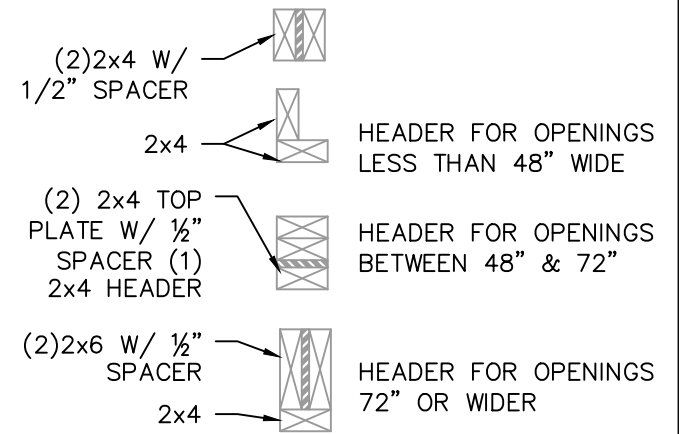
4-CORNER & WALL DETAIL



5-END WALL DETAIL



6-TYP DOOR FRAMING



NOTE: FOR 12' HIGH OR GREATER SIDEWALLS,  
A 48" MAX OPENING IS ALLOWED



**APEX BUILDERS  
AND ASSOCIATES**

504-858-6544

DRAWN BY: TNT

SCALE: NTS

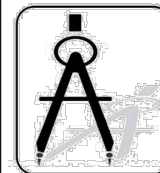
DATE: 02-03-2022

SHEET TITLE: BUILD DETAIL 1

DRAWING NUMBER:

**S-109**

UTILITY-LA-V=150MPH-IBC2015



**DAMMON  
ENGINEERING, INC.**

554 Old Spanish Trail Slidell, LA 70458 (985) 649-5832

Chief Engineer: Brian Mistich, PE  
554 Old Spanish Trail  
Slidell, LA 70458

www.dammonengineering.com  
info@dammonengineering.com  
PHONE: 985-649-5832