

JOB NO
5844108

MODEL NUMBER
SC-111110MA
JOB NAME
Sixth Baptist Church

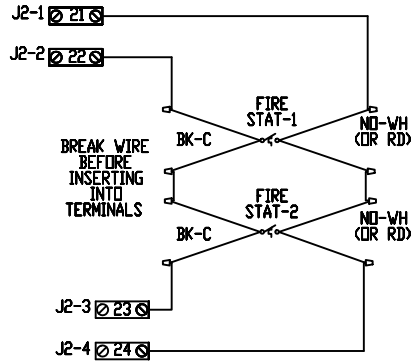
DRAWN BY
DATE
2/6/2023
SCHEMATIC TYPE
INSTALL
DWG NO
FCB #1-5

DESCRIPTION OF OPERATION:
Fire System #1 TANK FS - 4.0.

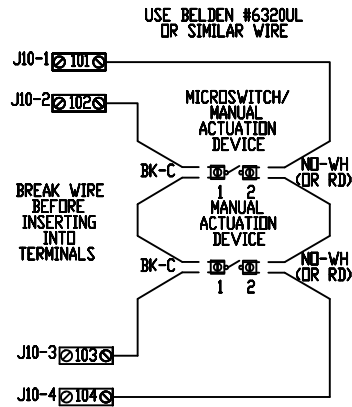
TANK PROTECTION LOW-VOLTAGE FIGURES

02/10/2021 Rev. 17

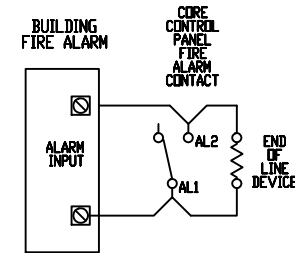
FS-1: MASTER



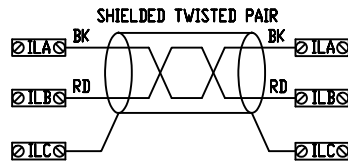
WIRING CONNECTIONS
FOR FIRESTAT LOOP
FIGURE 1



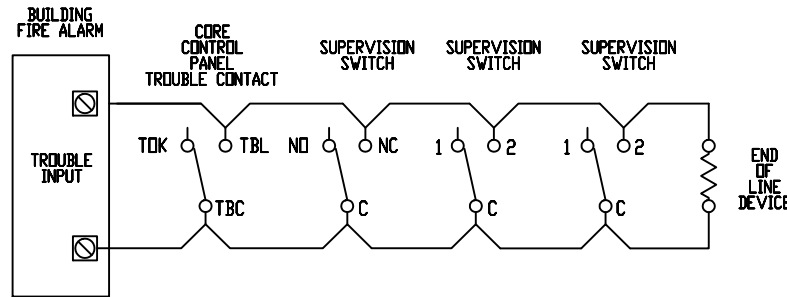
WIRING CONNECTIONS
FOR MANUAL ACTUATION LOOP
FIGURE 1A



WIRING CONNECTIONS FOR FIRE
ALARM CONTACT
FIGURE 2



WIRING CONNECTIONS
FOR CORE INTERLOCK
FIGURE 3



WIRING CONNECTIONS FOR
TROUBLE CONTACT
FIGURE 4

NOTE: SEE INSTALLATION, OPERATION, AND MAINTENANCE MANUAL FOR FURTHER INSTRUCTIONS

ATTENTION: LOW-VOLTAGE DC OR SIGNALING WIRE SHOULD
BE ROUTED IN SEPARATE CONDUIT FROM ALL AC SOURCES