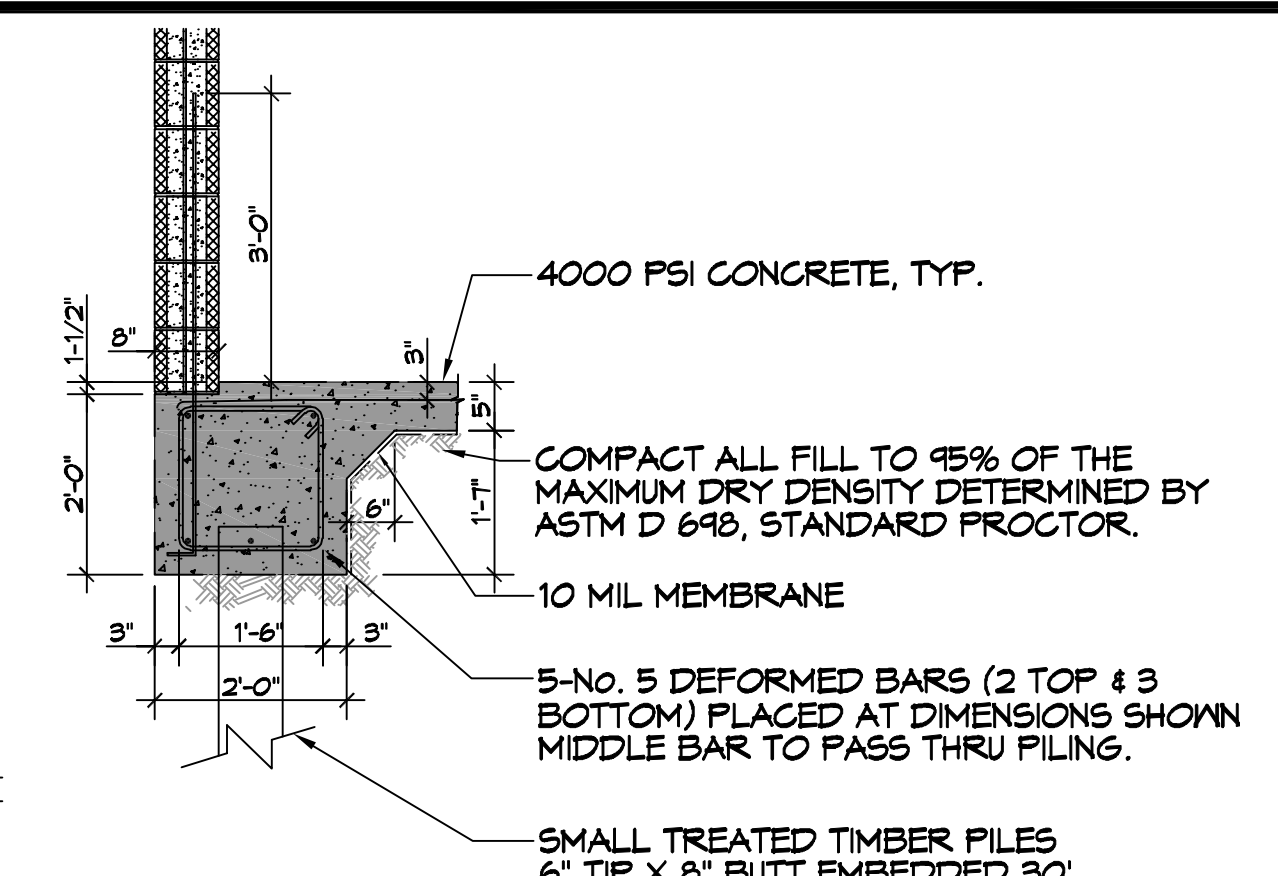
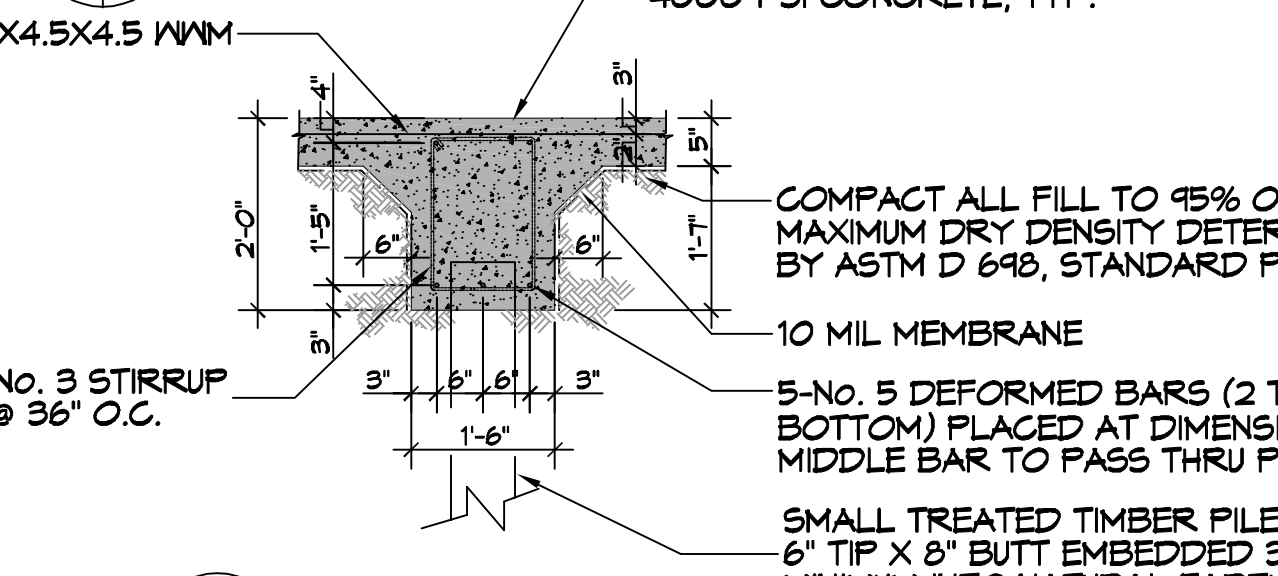


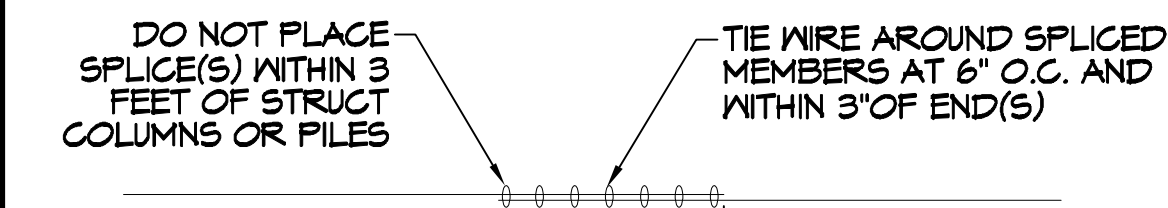
3 DETAIL
SCALE: 1/2" = 1'-0"



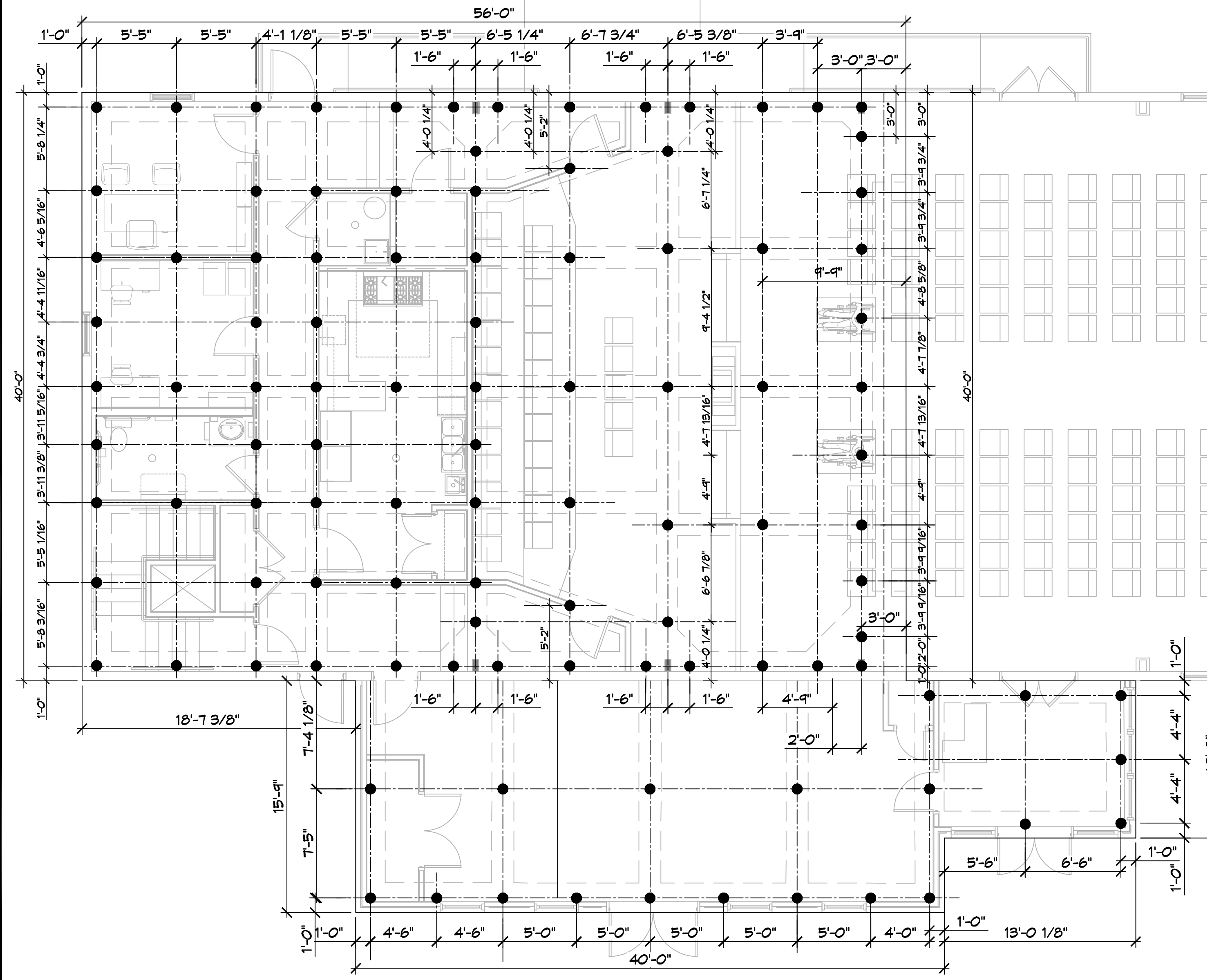
A SECTION
SCALE: 1" = 1'-0"



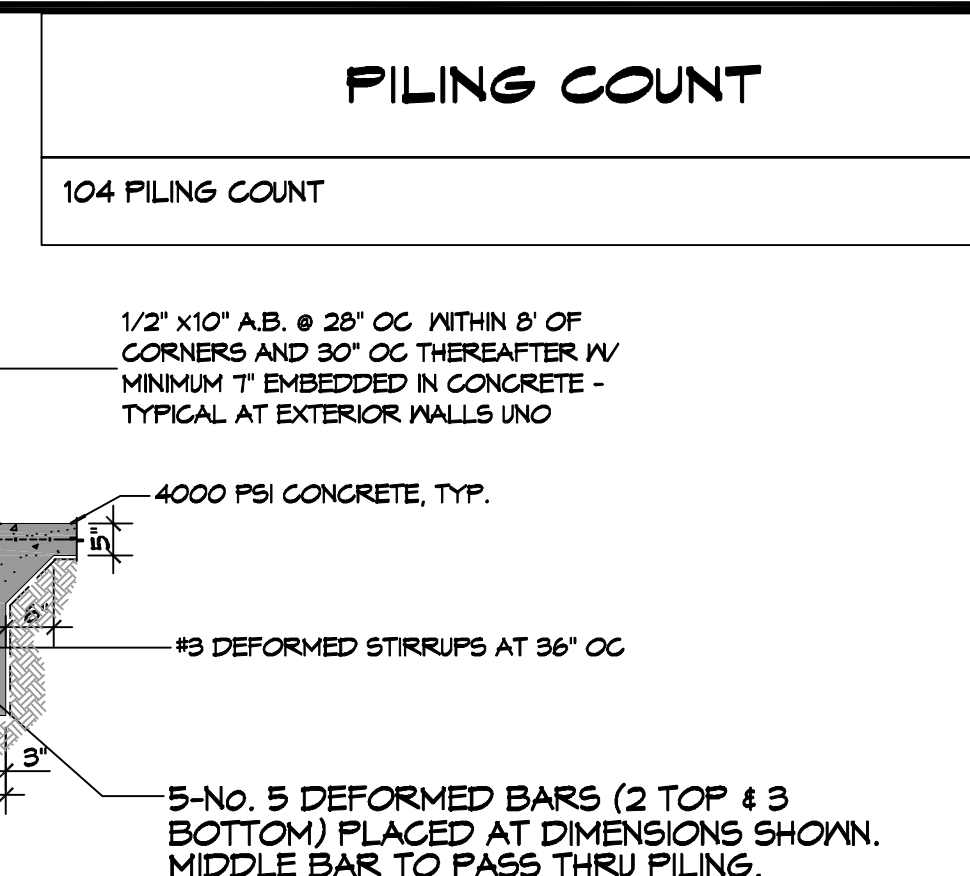
B SECTION
SCALE: 1/2" = 1'-0"



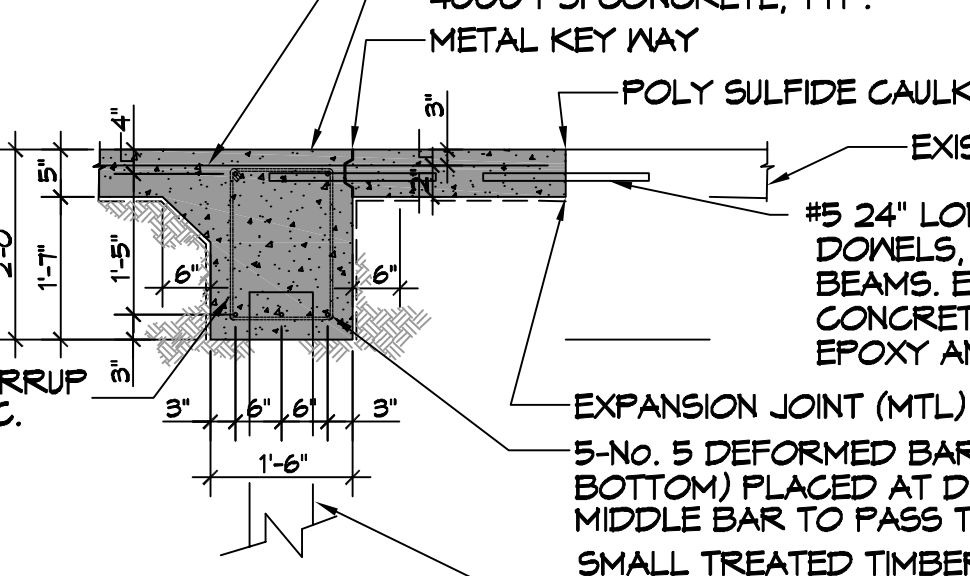
4 DETAIL
SCALE: 1/2" = 1'-0"



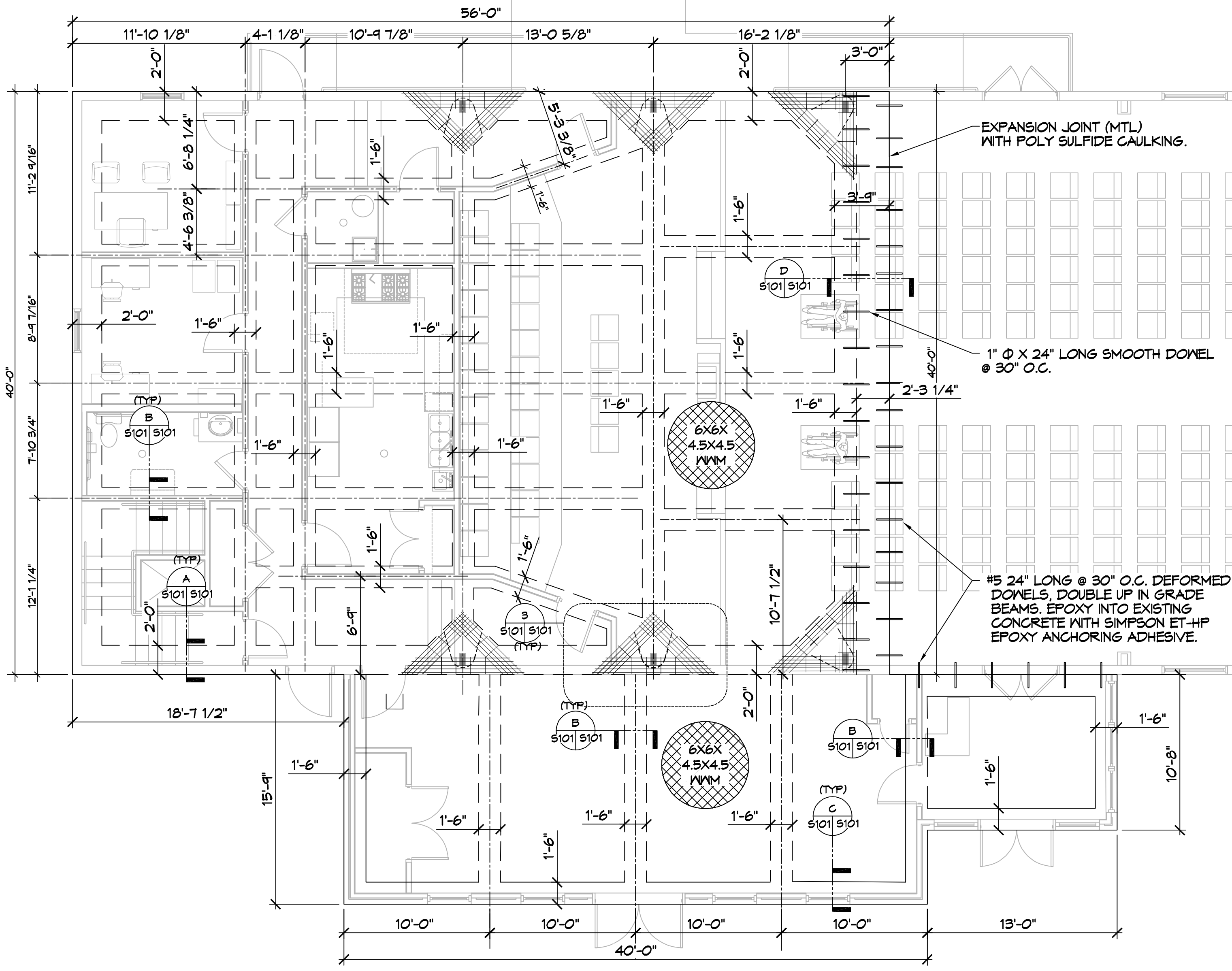
1 PILING PLAN
SCALE: 3/16" = 1'-0"



C SECTION
SCALE: 1/2" = 1'-0"



D SECTION
SCALE: 1/2" = 1'-0"



2 FOUNDATION PLAN
SCALE: 3/16" = 1'-0"

PILING COUNT

104 PILING COUNT

GENERAL SITEPREP NOTES

1. THE GC SHALL EMPLOY A GEOTECHNICAL ENGINEER TO MONITOR SITE CONDITIONS DURING THE PREP WORK OF THE SITE FOUNDATION. SEE GEOTECHNICAL REPORT DATED MARCH 20TH 2023.

PILING NOTES

1. GC SHALL EMPLOY A GEOTECHNICAL ENGINEER.
2. ALL PILING SHALL BE CLASS 5 PRESSURE TREATED, 6 INCH TIP AND 8\"/>

GENERAL FOUNDATION NOTES

1. THE CONCRETE MIX SHALL HAVE A MINIMUM COMPRESSIVE STRENGTH OF 4000 PSI AT 28 DAYS. CONCRETE MIX SHALL BE IN ACCORDANCE WITH ACI-318.
2. ALL CONVENTIONAL REINFORCING SHALL MEET ASTM-A615 (GRADE 60). ALL WELDED WIRE SHALL CONFORM TO ASTM A185 W/MIN YIELD OF 65000 PSI. LAP ALL W/WF 2 1/4\"/>

DAMMON ENGINEERING, INC.
LOUISIANA & MISSISSIPPI
www.dammonengineering.com
info@dammonengineering.com
554 Old Spanish Trail
Sibley, LA 70088
Chief Engineer: Brian Misch, PE
Sibley, LA 70088

#	DESCRIPTION	DATE

THE SIXTH URBAN REDEVELOPMENT

THE SIXTH URBAN REDEVELOPMENT
JOB No: 2470 DATE: 08-20-2025
DRAWN BY: [] CHECKED BY: []
SHEET TITLE: PILING AND FOUNDATION PLAN
DRAWING NUMBER:
S101
SHEET No: 1 of 15