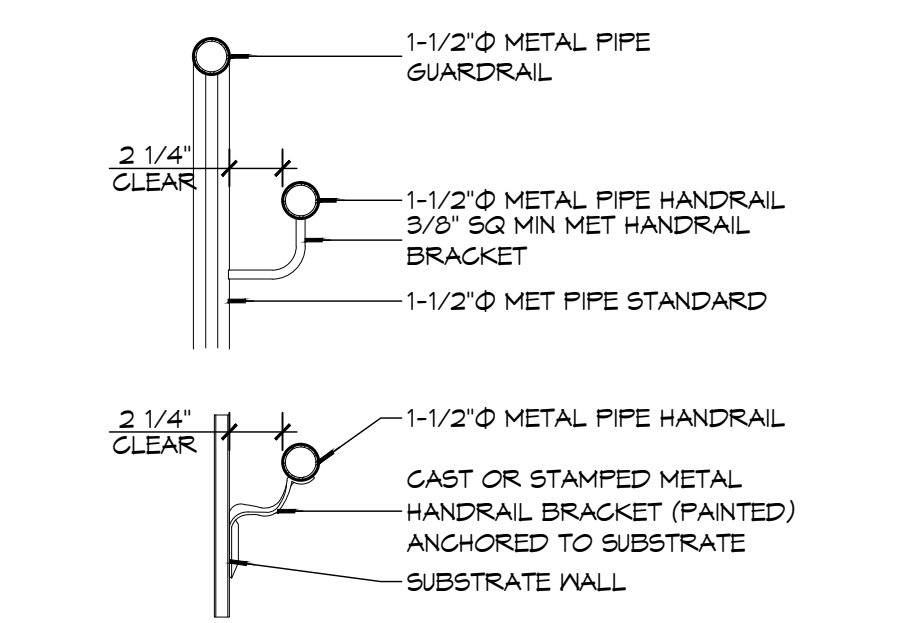
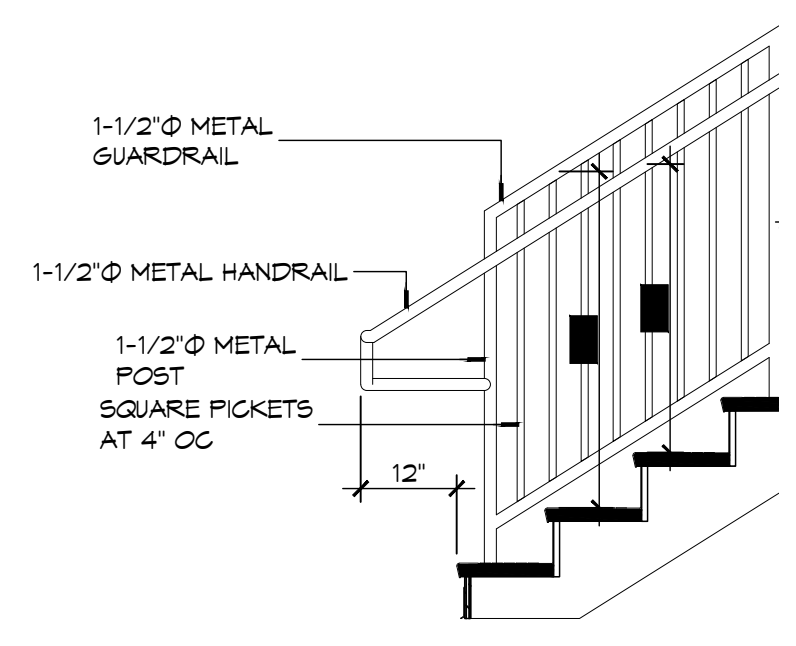


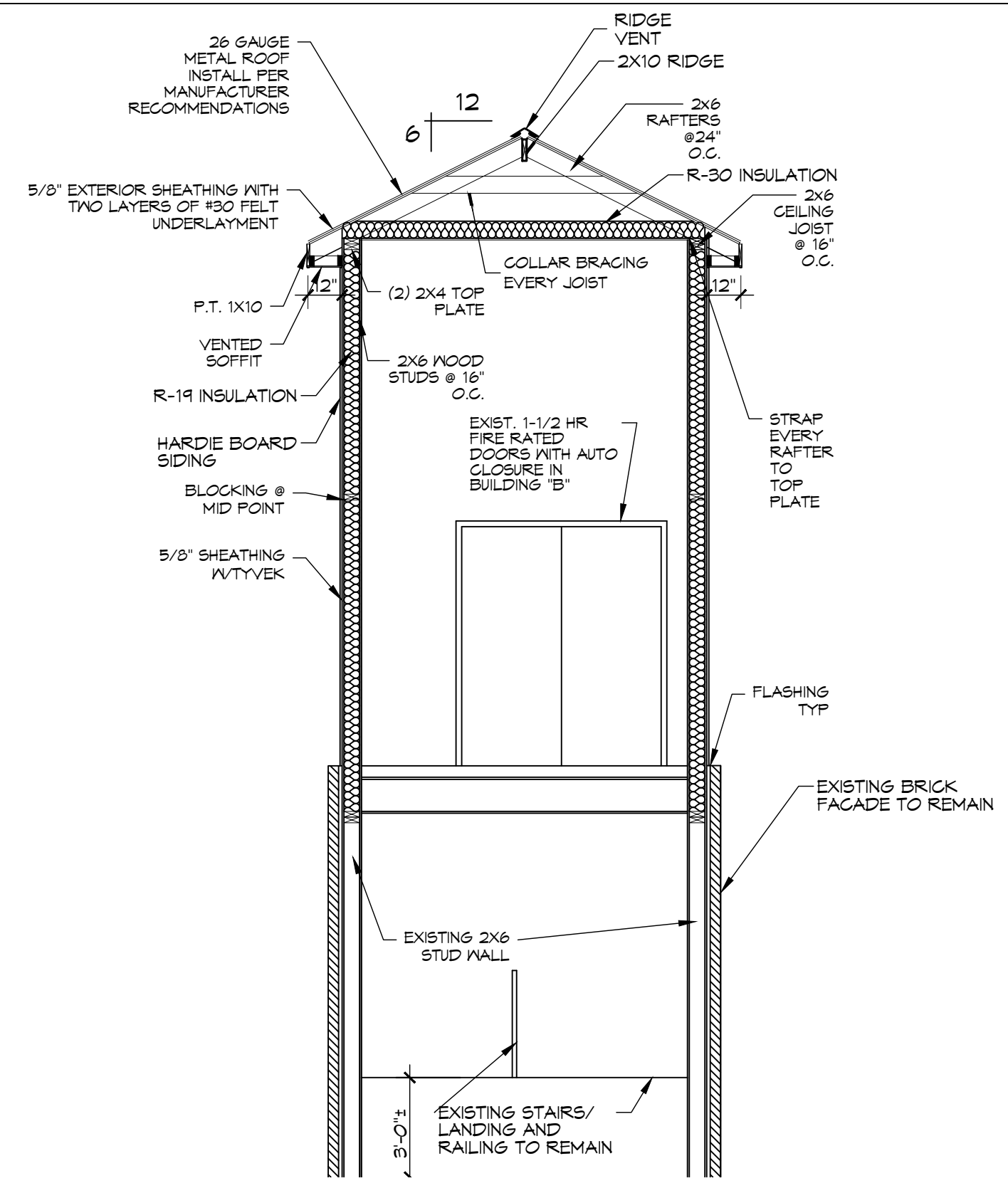
B SECTION OF CONNECTOR BLDG A - B
SCALE: 3/8"=1'-0"



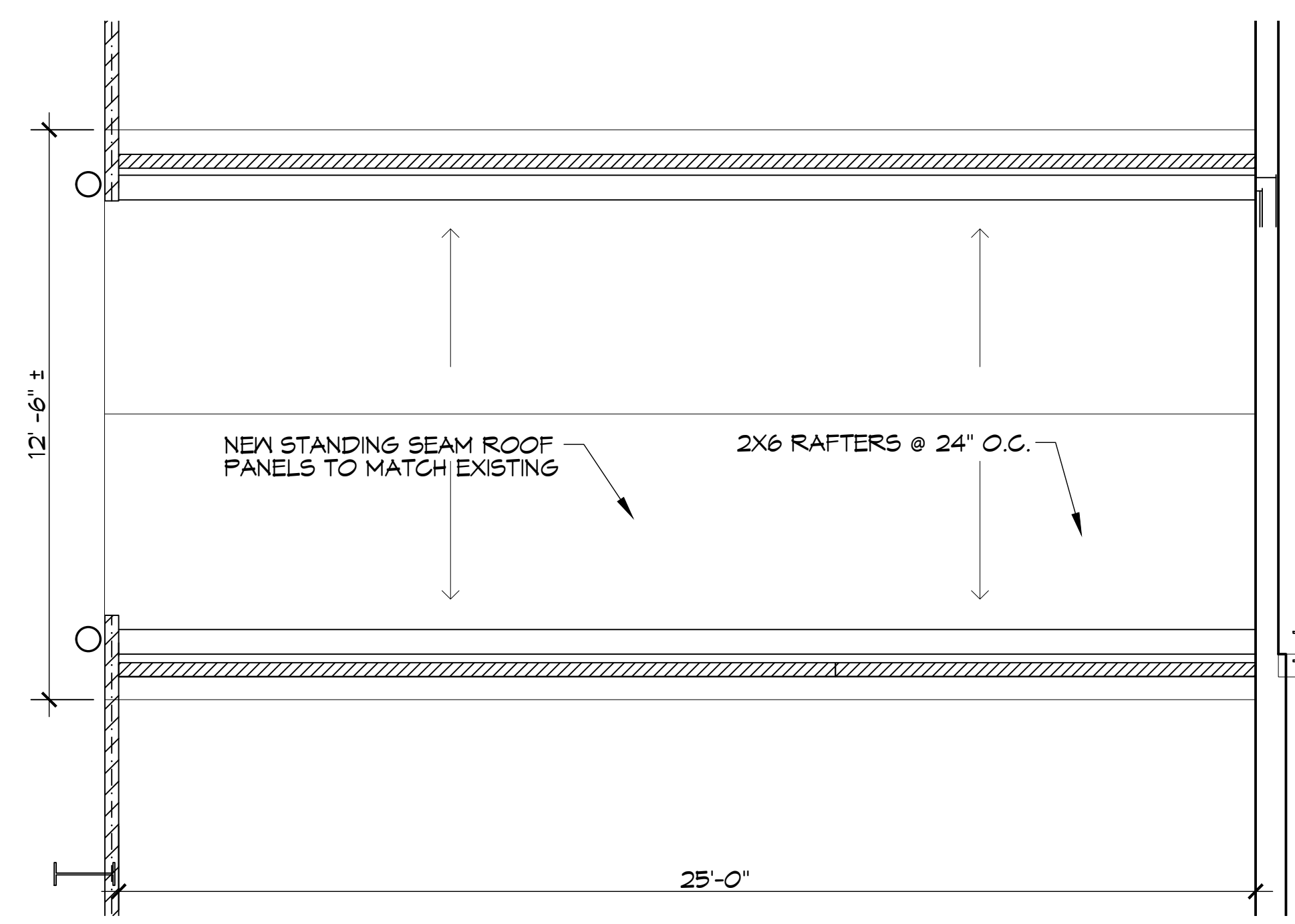
6 DETAIL
SCALE: 1-1/2"=1'-0" WALL ATTACHMENT



7 DETAIL
SCALE: 1/2"=1'-0" STAIR GUARDRAIL



A SECTION
SCALE: 1/4"=1'-0"



9 CONNECTOR ROOF PLAN BLDG A - B
SCALE: 1/4"=1'-0"

DAMMON
ENGINEERING, INC.
LOUISIANA & MISSISSIPPI

www.dammonengineering.com
info@dammon.com
PH: 985.646.5832

Chief Engineer: Brian Mistich, PE
1000 Highway 101, Suite 100
Slidell, LA 70458

| # | DESCRIPTION | DATE |
|---|-------------|------|
| | | |
| | | |
| | | |
| | | |



STAIR ADDITION

CROSSETTES CLUB

200 NORTH MILITARY ROAD
SLIDELL, LA.

JOB No: 292T DATE: 09-09-2024
DRAWN BY: JFL CHECKED BY: CAC

SHEET TITLE:
BLDG A - B CONNECTOR
SECTIONS AND ROOF
PLAN

DRAWING NUMBER:
A102