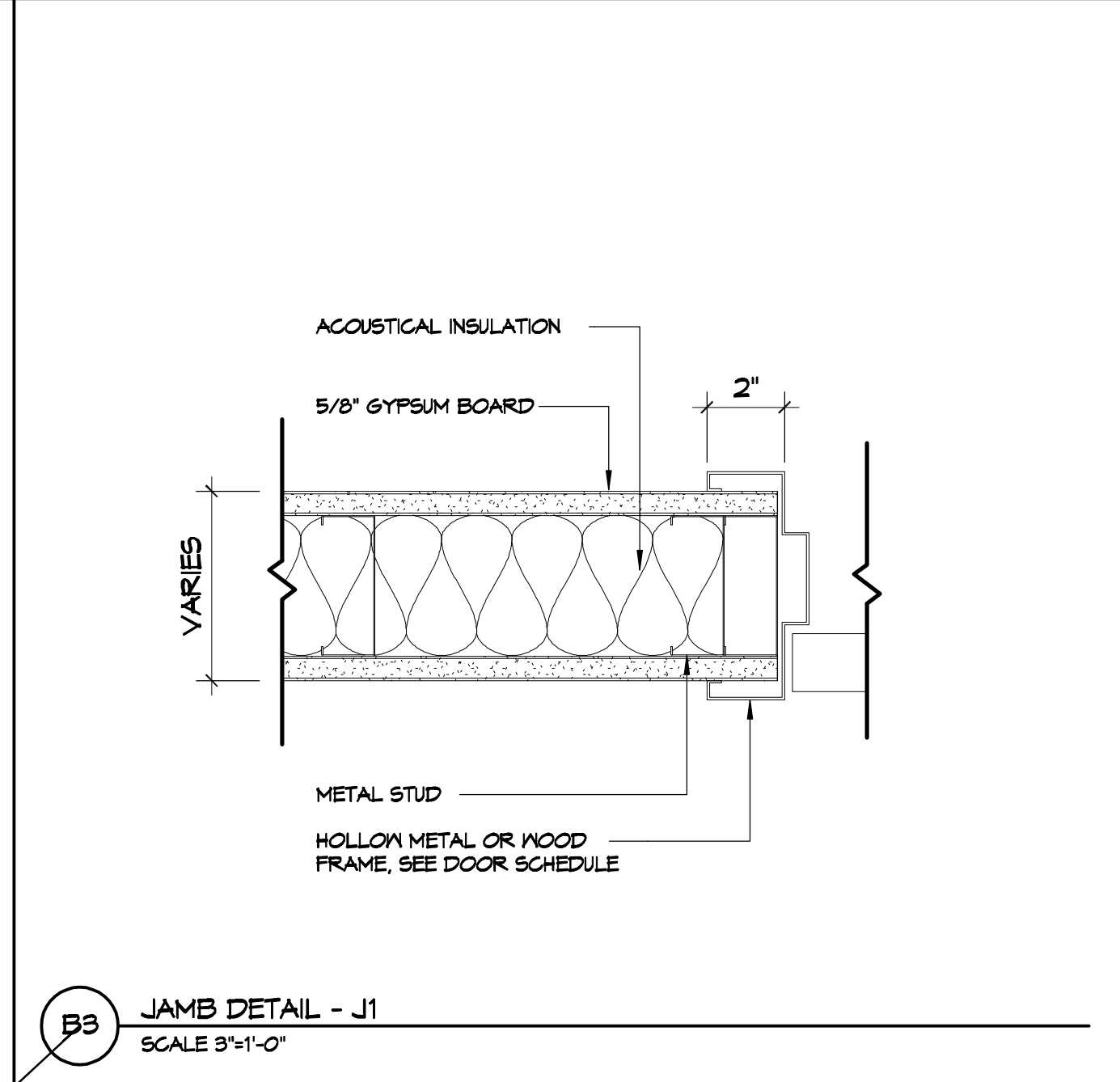
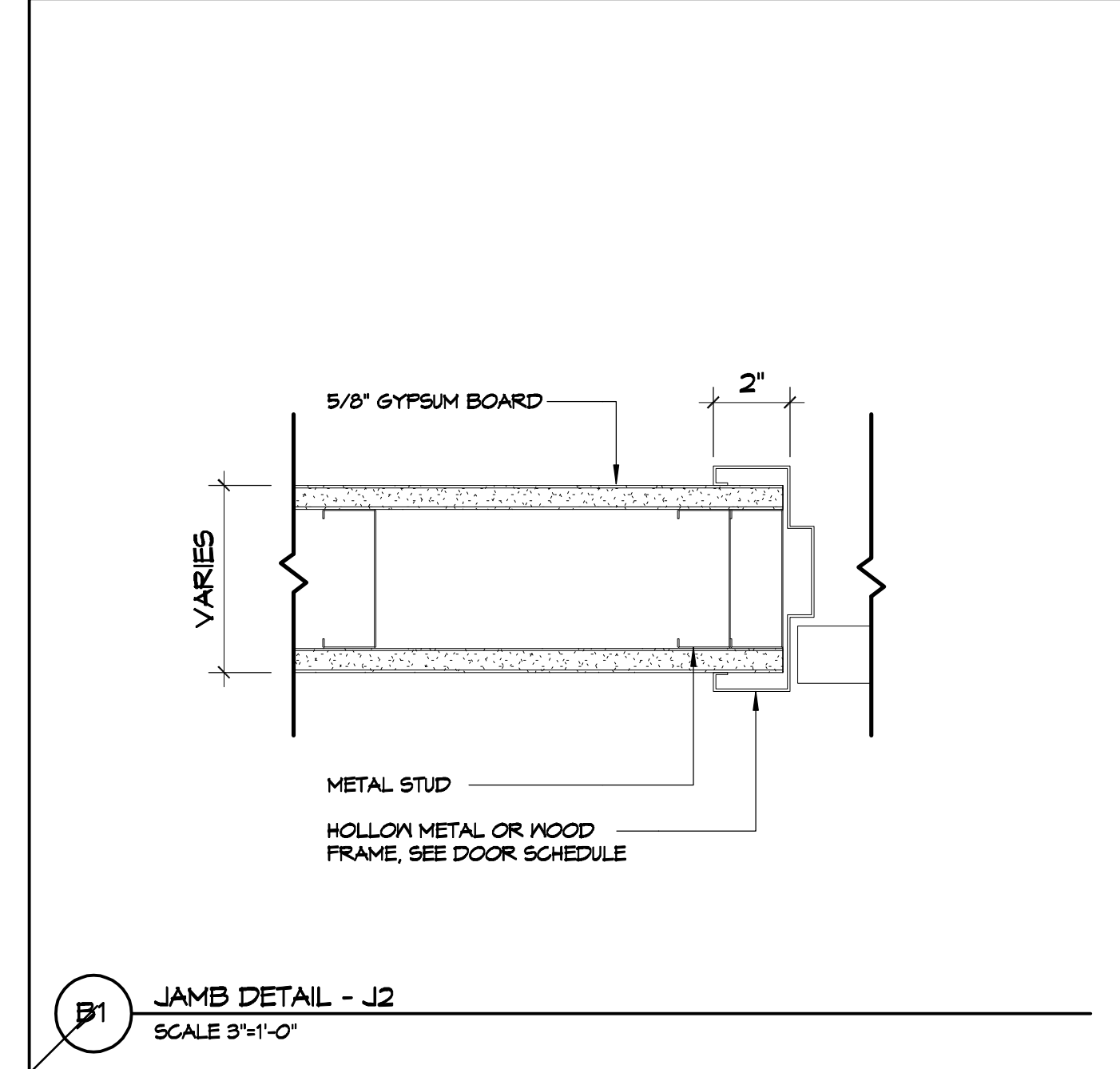
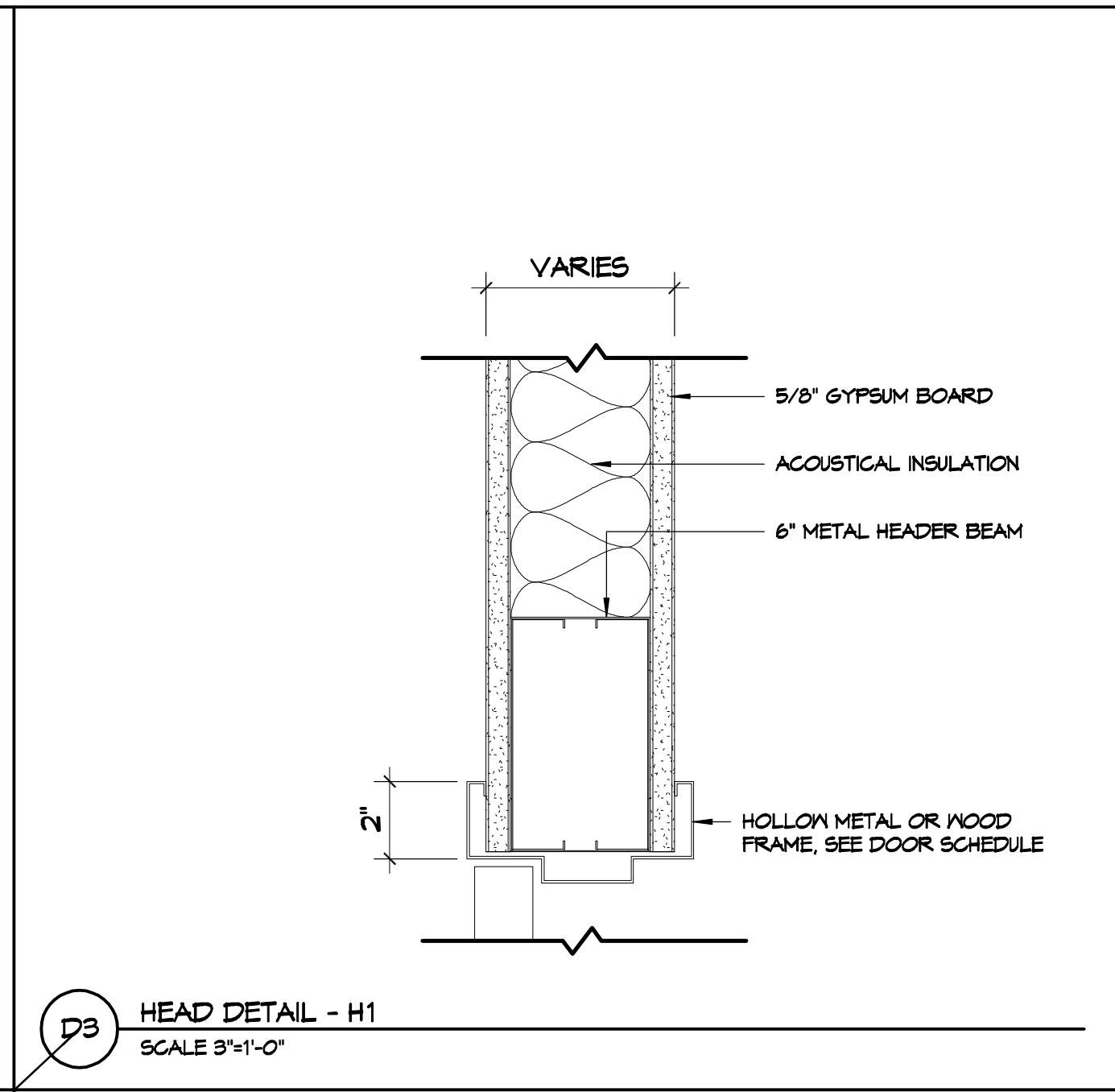
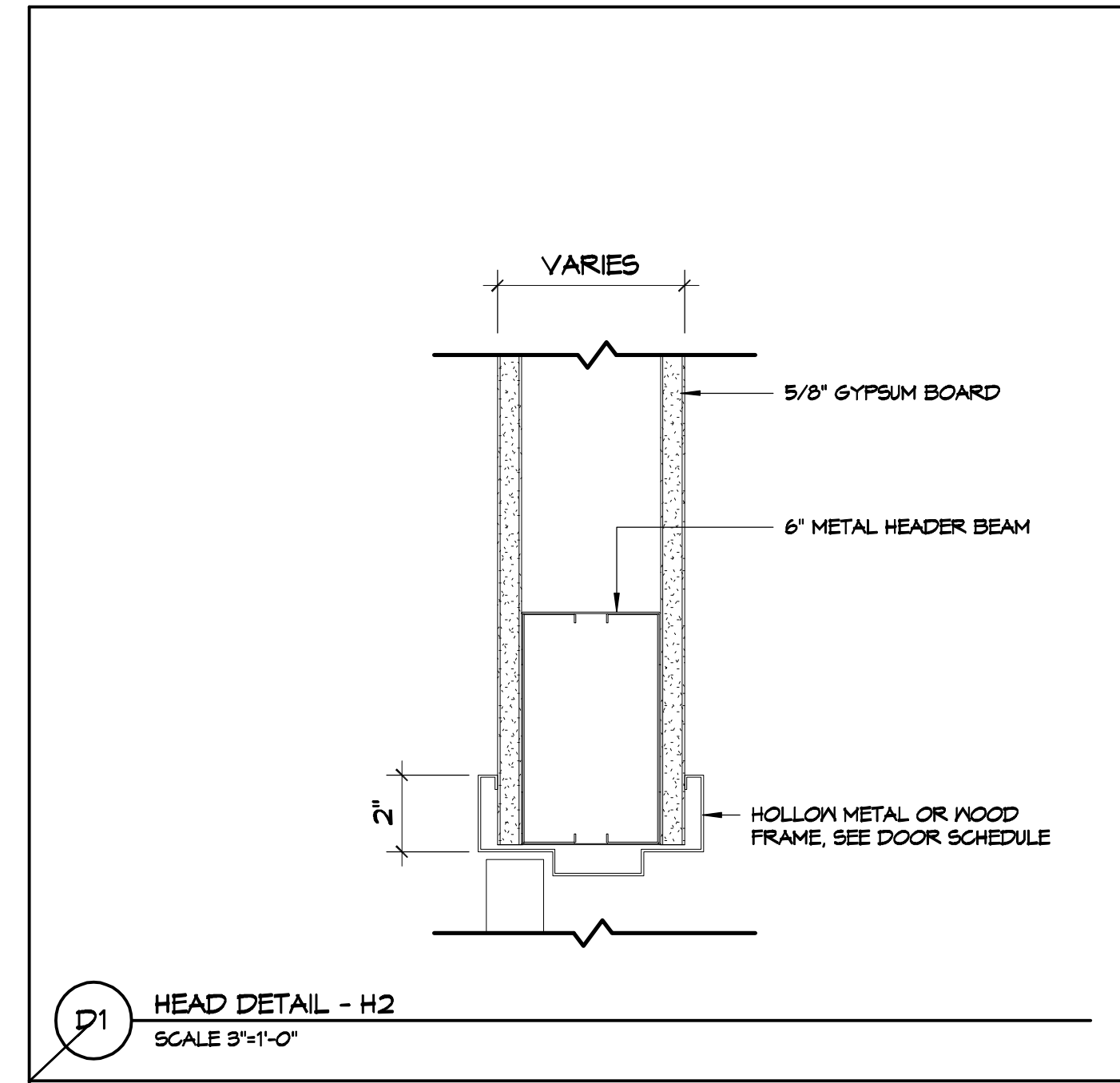
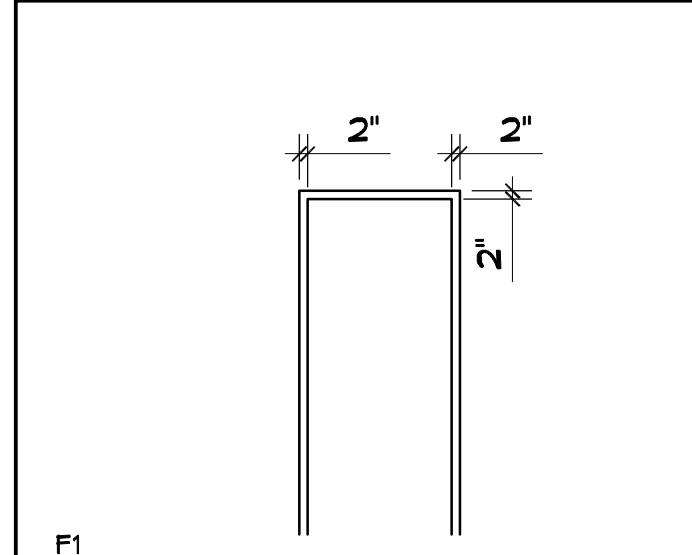


DOOR SCHEDULE

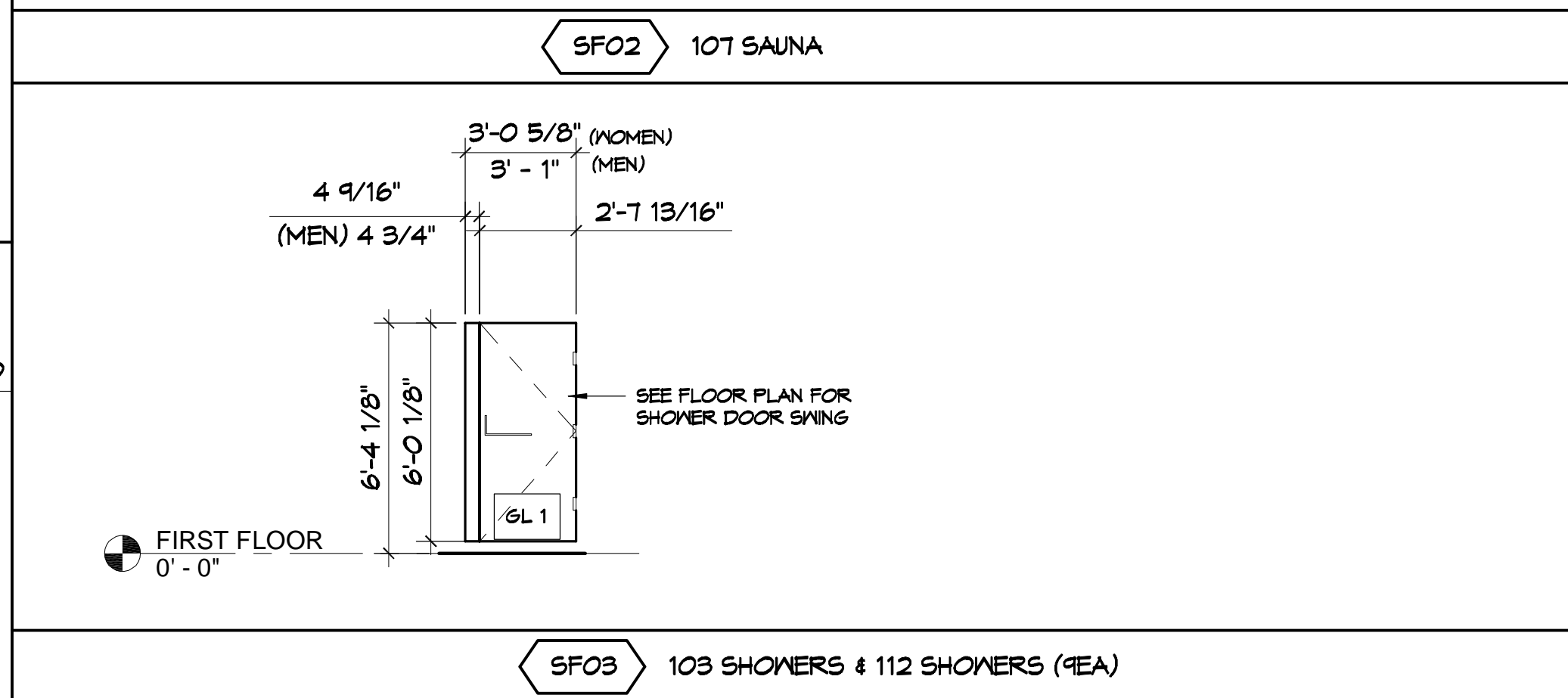
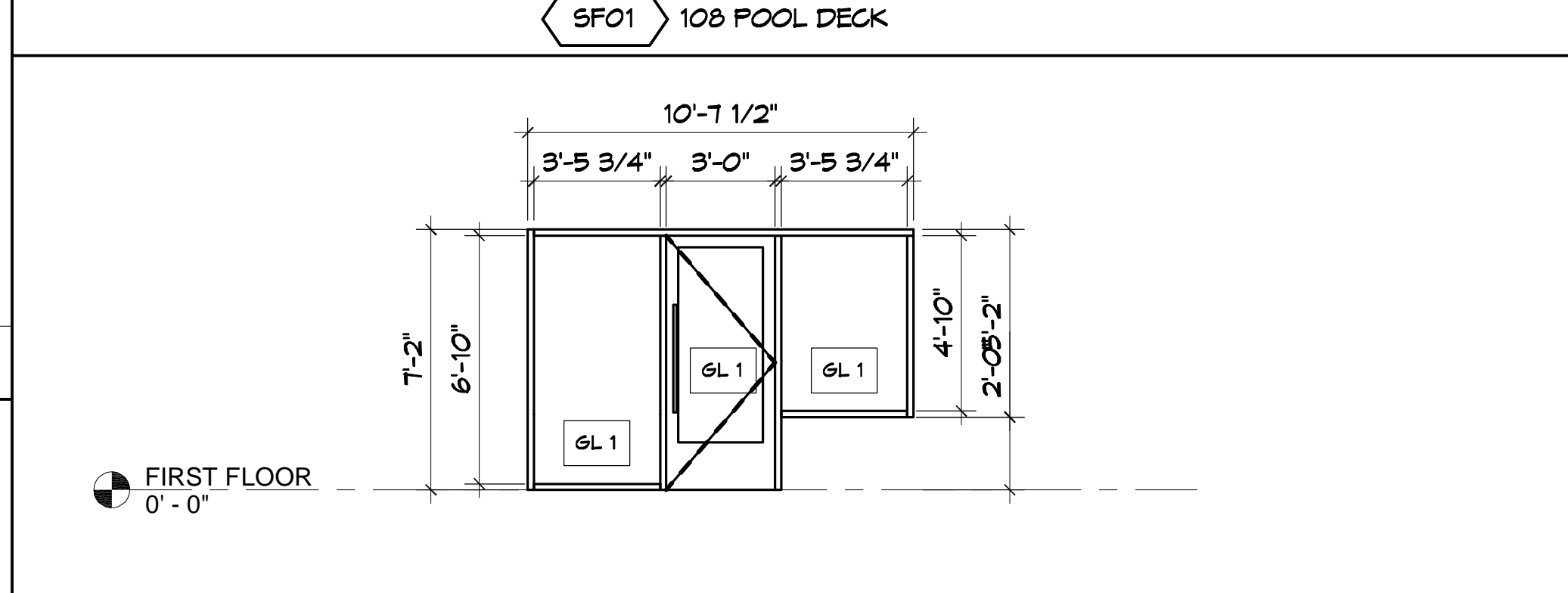
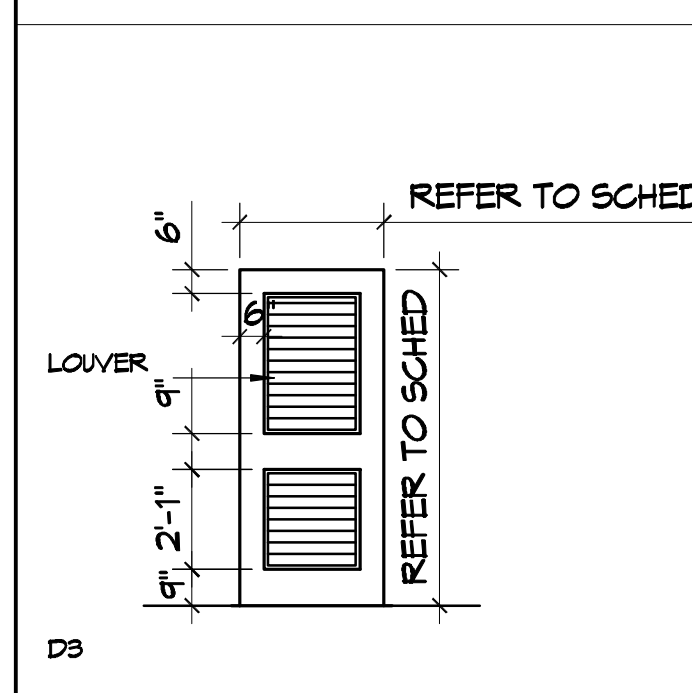
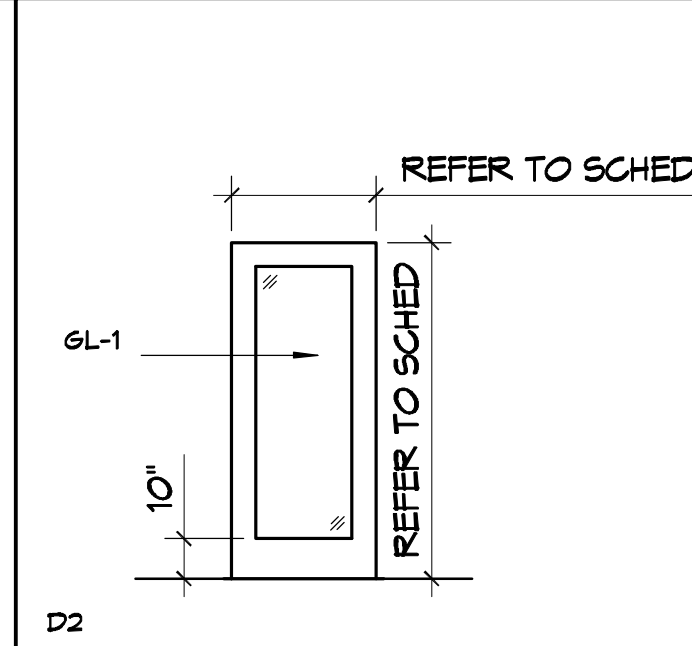
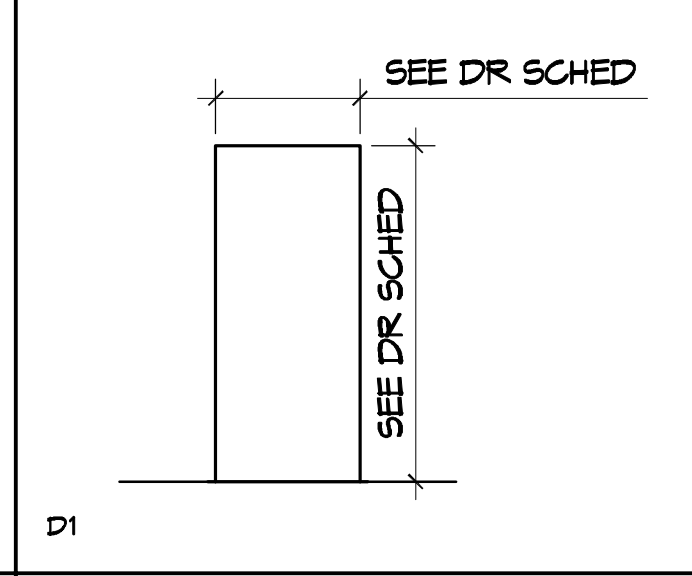
DOOR NO.	ROOM NAME	DOOR						FRAME					HWDR SET	RATING	COMMENTS
		TYPE	MATL	FIN	W	H	T	TYPE	MATL	FIN	HEAD	JAMB			
101	WOMEN'S LOCKER ROOM	D1	WD	P-1	3' - 0"	8' - 0"	0' - 1 3/4"	F1	HM	P-1	H1	J1			EXISTING DOOR
103	SHOWERS	EXTG		P-1	-	-	-	F1	WD	P-1					DOOR PROVIDED BY SAUNA MANUFACTURER
104	SAUNA	D2	WD/GL		3' - 0"	7' - 0"	0' - 1 3/4"	F1	WD		H1	J1			
105	CHANGING ROOM	D3	WD	P-1	2' - 8"	8' - 0"	0' - 1 3/4"	F1	HM	P-1	H2	J2			
106	CHANGING ROOM	D3	WD	P-1	3' - 0"	8' - 0"	0' - 1 3/4"	F1	HM	P-1	H2	J2			
107	SAUNA	D2	WD/GL		3' - 0"	7' - 0"	0' - 1 3/4"								WOOD STOREFRONT; DOOR PROVIDED BY SAUNA MANUFACTURER
109	POOL DECK	EXTG		P-2	-	-	-			P-2					EXISTING DOOR
111	MEN'S LOCKER ROOM	D1	WD	P-1	3' - 0"	8' - 0"	0' - 1 3/4"	F1	HM	P-1	H1	J1			
112	SHOWERS	EXTG		P-1	-	-	-			P-1					EXISTING DOOR



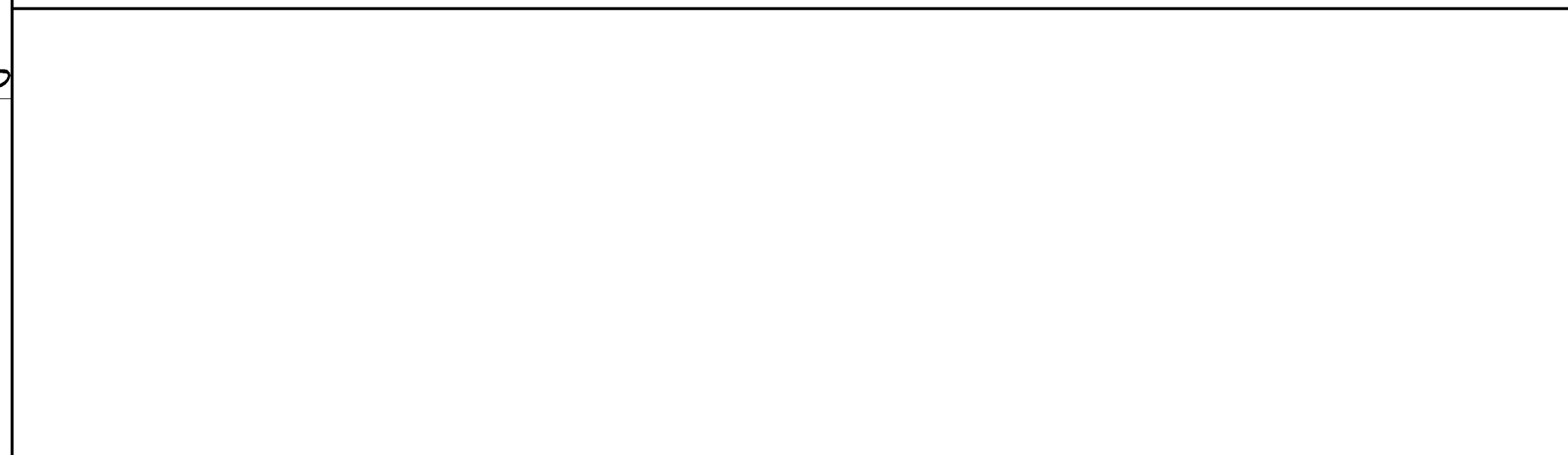
FRAME TYPES



DOOR TYPES



STOREFRONT ELEVATIONS



NOTE: ALL EXTERIOR WINDOW ASSEMBLES TO BE RATED FOR 140 MPH WINDS AND SHALL BE MISSILE IMPACT RESISTANT.

LEGEND

DOOR SCHEDULE FINISHES	
INTERIOR	DOOR FINISH
EXTERIOR	
GL 1	TEMPERED GLASS AT INTERIOR LOCATION
GL 2	1/4\"/>

NOTES

1. PANIC FIRE RATINGS INDICATED IN HOUR.
2. CONTRACTOR TO VERIFY PARTITION WIDTHS FOR ALL NEW DOOR FRAMES.
3. REFER TO SPECIFICATION BOOK FOR DOOR HARDWARE SCHEDULE.
4. UNLESS OTHERWISE NOTED, PAINTED DOORS AND FRAMES TO HAVE ADJACENT WALL COLOR APPLIED.
5. UNLESS OTHERWISE NOTED, ALL WOOD DOORS TO BE FACTORY STAINED WITH CLEAR SATIN FINISH.
6. PROVIDE SILENCERS ON ALL DOOR FRAMES.

LEGEND

7. PANIC ALARMED HARDWARE TO BE INSTALLED ON EXIT ONLY DOOR.
8. CLOSER TO BE INSTALLED ON ALL DOORS. REFER TO SPECIFICATION FOR HARDWARE.
9. PROVIDE DOOR LOCK FOR AFTER HOURS SECURITY.
10. ALL HARDWARE FOR THE METAL/GLASS DOORS & TOILET PARTITIONS TO BE GALVANIZED STEEL.
11. PAINT TO MATCH WALL / CEILING.
12. REVIEW EXIST. EXTERIOR DOORS PROVIDED BY LANDLORD. PROVIDE PANIC HARDWARE / FULL PUSH BARS ON ALL ENTRANCE / EXIT EGRESS DOORS IF NOT ALREADY INSTALLED BY LANDLORD. REVIEW WITH ARCHITECT / AMG PM.
13. USE KARP OR EQUAL DOORS FOR ALL CEILING AND WALL ACCESS DOORS. REVIEW WITH AMG PM.
14. METAL/GLASS DOORS THROUGHOUT SHOWN FOR DESIGN INTENT. DIMENSIONS & MATERIAL ONLY. GC TO PROVIDE SHOP DRAWINGS AND ALL REQUIRED HARDWARE SPECIFICATIONS FOR REVIEW AND APPROVAL BY ARCHITECT PRIOR TO FABRICATION & INSTALLATION.
15. DO NOT PROVIDE LATCHES ON RESTROOM DOORS. TYP.
16. G.C. IS RESPONSIBLE FOR RE-KEYING ALL LOCKS. ALL OUTSIDE LOCKS TO BE KEYPED THE SAME AND PROVIDE (1) MASTER KEY FOR THE OFFICE.
17. G.C. TO PROVIDE KEYS / MASTER KEYS TO OWNER AT COMPLETION OF WORK.
18. ALL SCHLAGE KEYPAD HARDWARE TO BE KEYPED ALIKE.

LEGEND

GL 1	TEMPERED GLASS SEE GENERAL NOTE 4 FOR THICKNESS
GL 2	1\"/>
ABBREVIATIONS	
SF	STOREFRONT
SG	SPECIALTY GLASS
IG	INSULATED GLASS

LEGEND

GL 1	TEMPERED GLASS SEE GENERAL NOTE 4 FOR THICKNESS
GL 2	1\"/>
ABBREVIATIONS	
SF	STOREFRONT
SG	SPECIALTY GLASS
IG	INSULATED GLASS

GENERAL NOTES

1. REFER TO SHEET A104 FOR FINISH SPECIFICATIONS.
2. GLAZING CONTRACTOR TO PROVIDE AND INSTALL SILICONE AT ALL BUTT GLAZING LOCATION - CLEAR SILICONE AT STEAM AND SAUNA.
3. CONTRACTOR TO REVIEW THE BELOW GUIDELINES AND CALCULATE REQUIRED GLASS THICKNESS FOR EACH SPECIFIC LOCATION PER ALL APPLICABLE CODES. *GLASS THICKNESS BELOW IS INTENDED FOR FULLY TEMPERED GLAZING THAT IS MOUNTED OR RESTRAINED AT TOP AND BOTTOM ONLY.
4. ALL GLASS AND FRAMING TO BE CAULKED TO ADJACENT SURFACES. CAULK TO MATCH SURFACE OR BE PAINTED.

DAMMON

ENGINEERING, INC.

LOUISIANA & MISSISSIPPI

www.dammonengineering.com
info@dammonengineering.com
PH: 985.649.5832

#	DESCRIPTION	DATE



REVIEWED FOR STATE FIRE MARSHAL AS PER REVIEW LETTER BY WILLIAM D. JONES, ARCHITECT CBO
William D. Jones

MENS AND WOMENS LOCKER ROOM

CROSSETTES CLUB

200 NORTH MILITARY ROAD
SUITE 100
SLIDELL, LA 70458

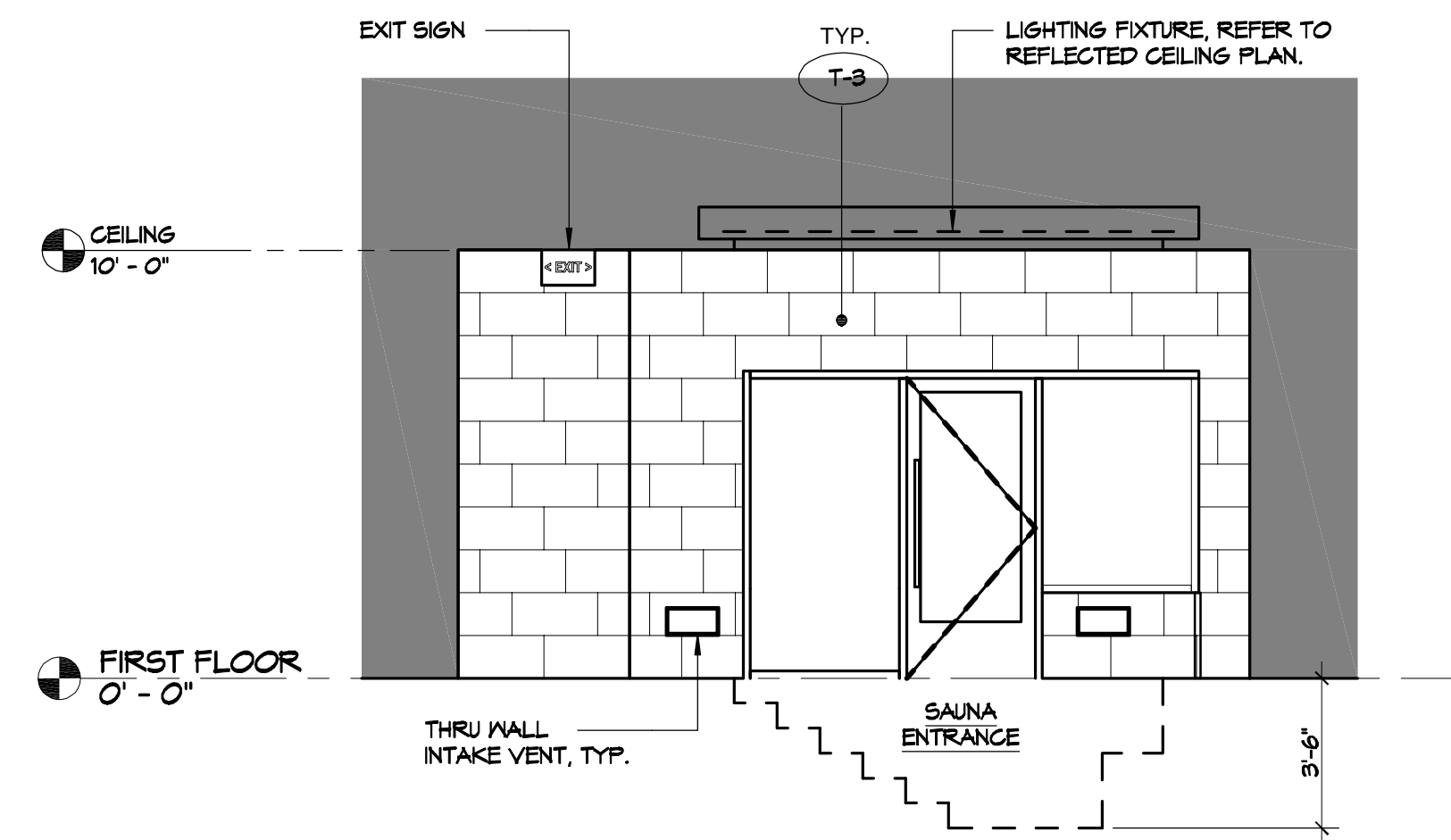
JOB No: 2527 DATE: 10-10-2024
DRAWN BY: LJP CHECKED BY: JMS

SHEET TITLE:
DOOR, FRAME,
HARDWARE AND GLAZING
SCHEDULE

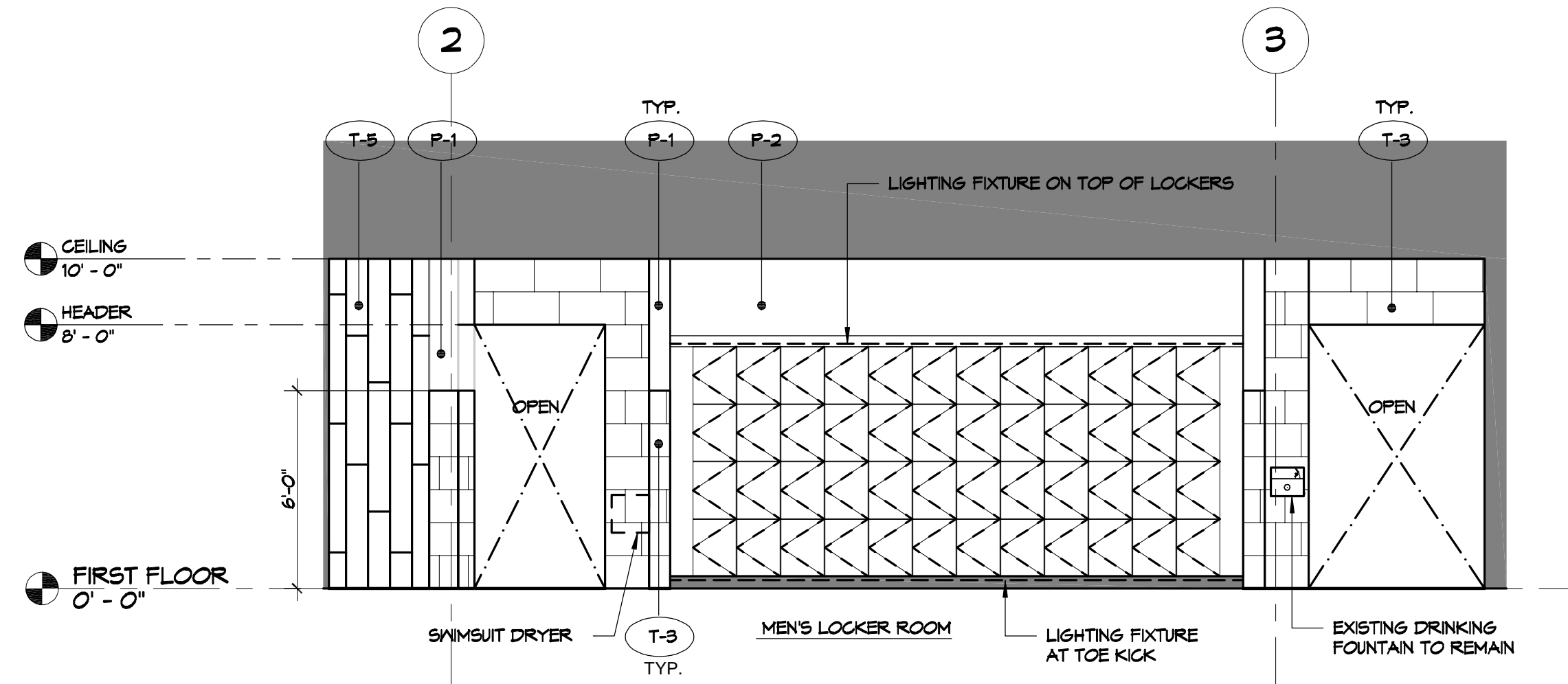
DRAWING NUMBER:
A106

SHEET No: 1 of 17

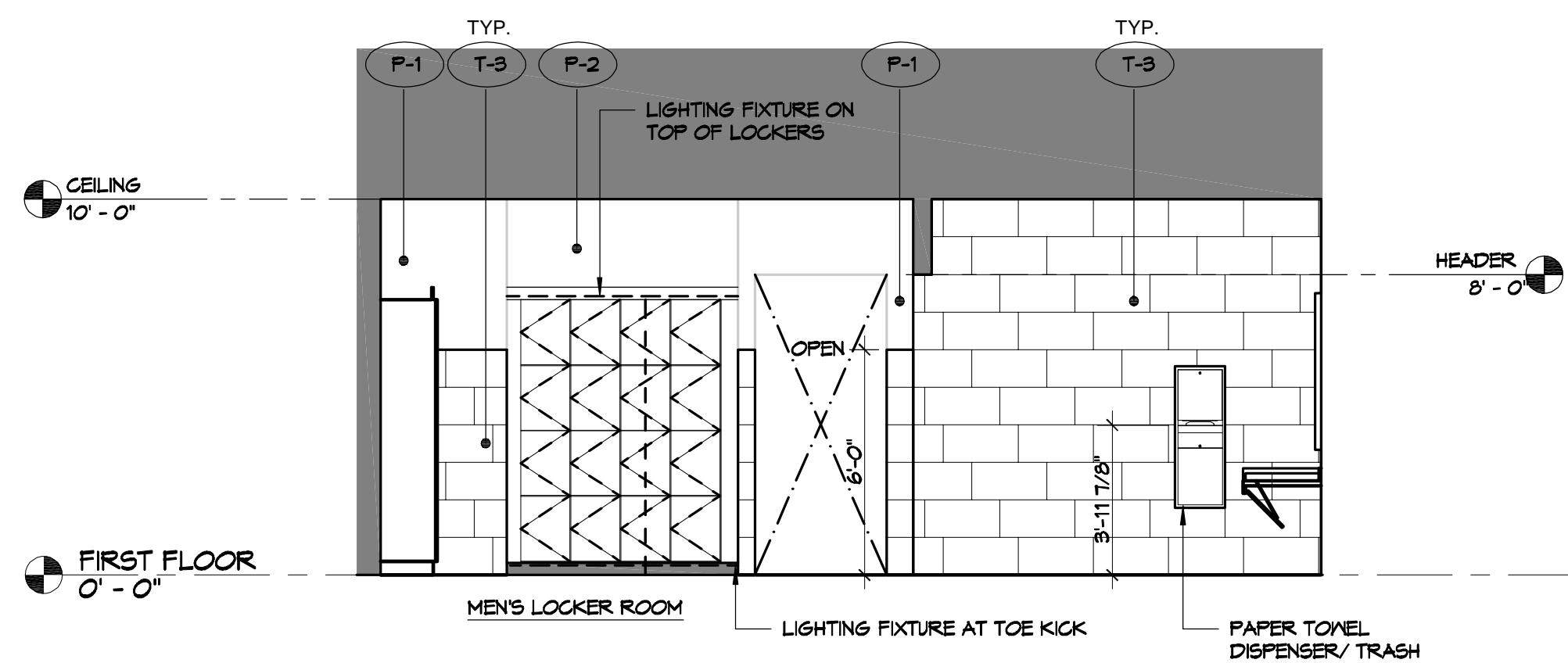
FILE NAME: J:\Projects\2024\10-10-2024\CrossFit\Arch\Interior\Locker Room\Revision\Locker Room - A109.dwg
 PLOT DATE: 10/10/2024 10:10:24 AM
 PLOT SCALE: 1/4" = 1'-0"
 PLOT SHEET: 12 OF 12



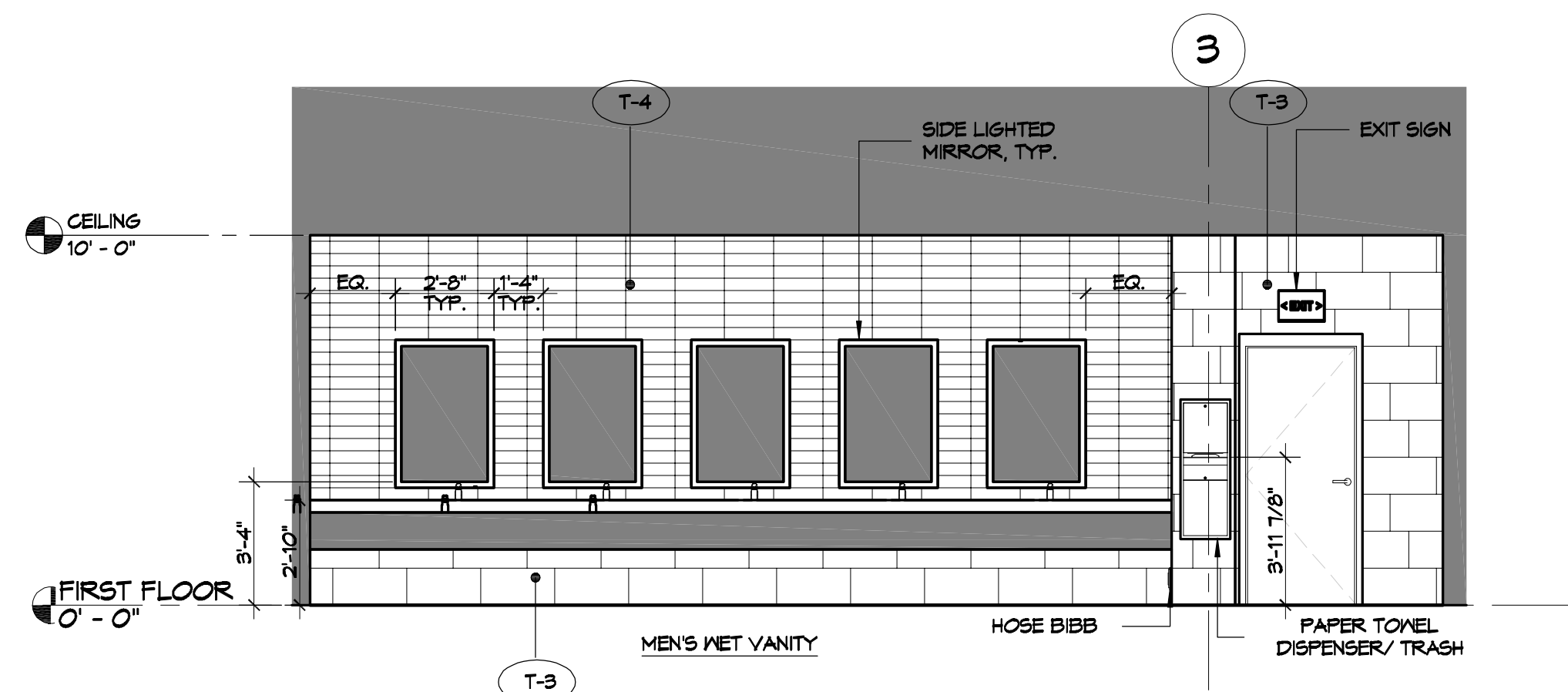
E1 INTERIOR ELEVATION AT POOL DECK
SCALE 1/4" = 1'-0"



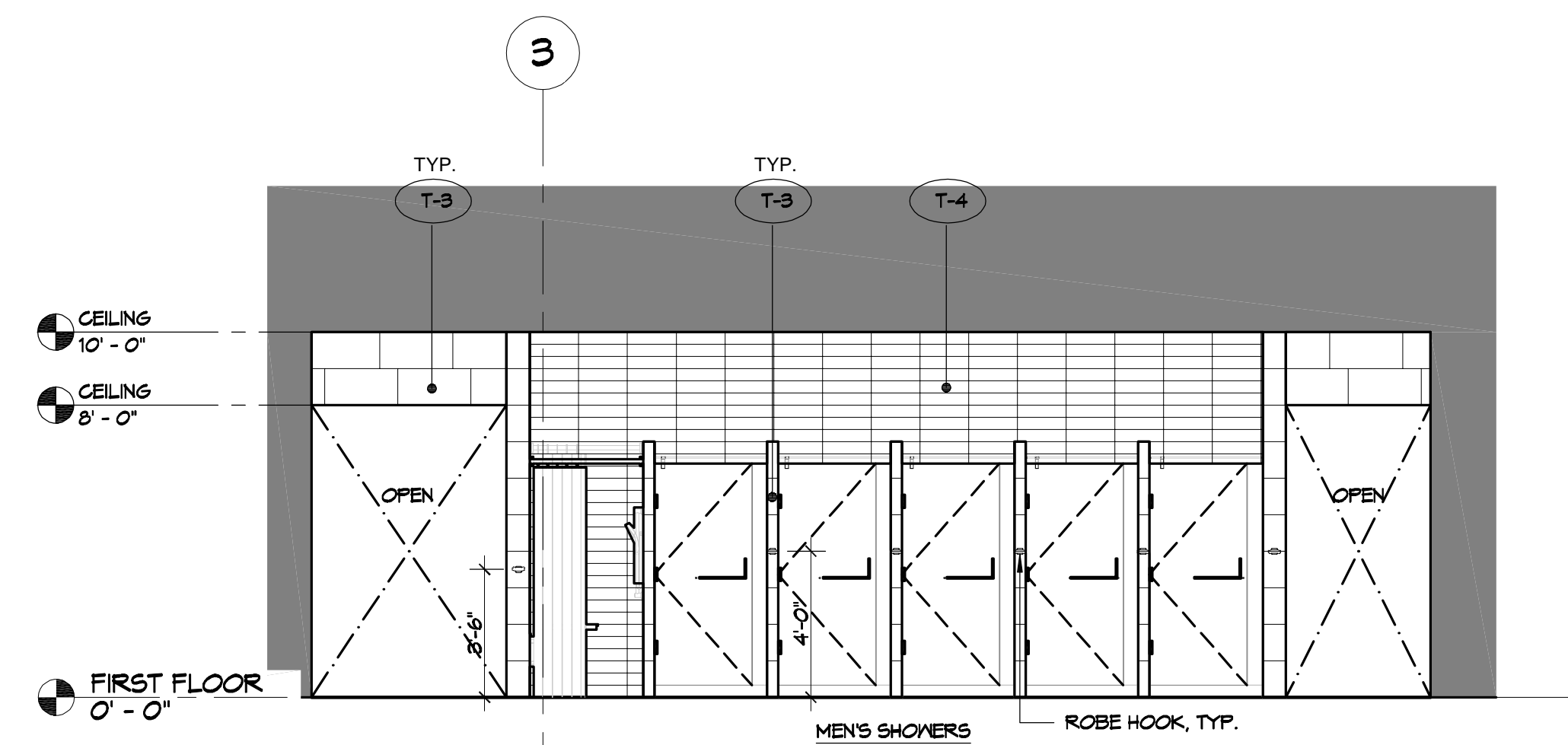
E4 INTERIOR ELEVATION AT MEN'S LOCKER ROOM
SCALE 1/4" = 1'-0"



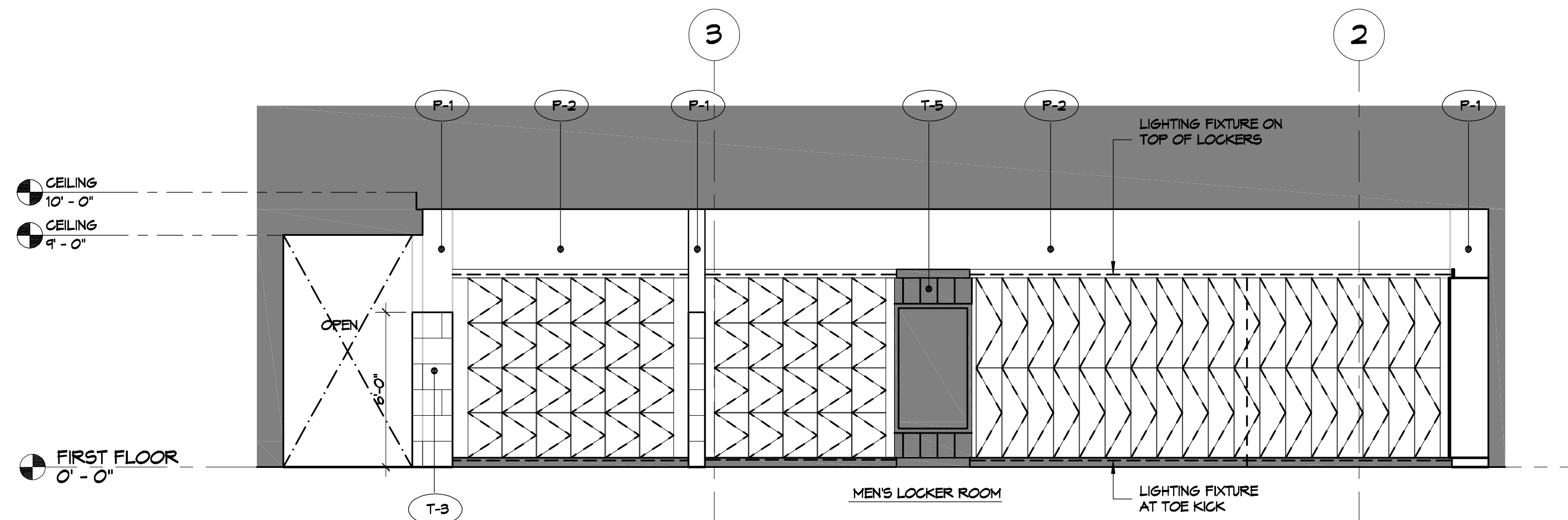
C1 INTERIOR ELEVATION AT MEN'S LOCKER ROOM
SCALE 1/4" = 1'-0"



C4 INTERIOR ELEVATION AT MEN'S LOCKER ROOM
SCALE 1/4" = 1'-0"



A1 INTERIOR ELEVATION AT MEN'S LOCKER ROOM
SCALE 1/4" = 1'-0"



A4 INTERIOR ELEVATION AT MEN'S LOCKER ROOM
SCALE 1/4" = 1'-0"

#	DESCRIPTION	DATE



REVIEWED FOR
 STATE FIRE MARSHAL
 AS PER REVIEW LETTER
 BY WILLIAM D. JONES, ARCHITECT, CBO
 William D. Jones

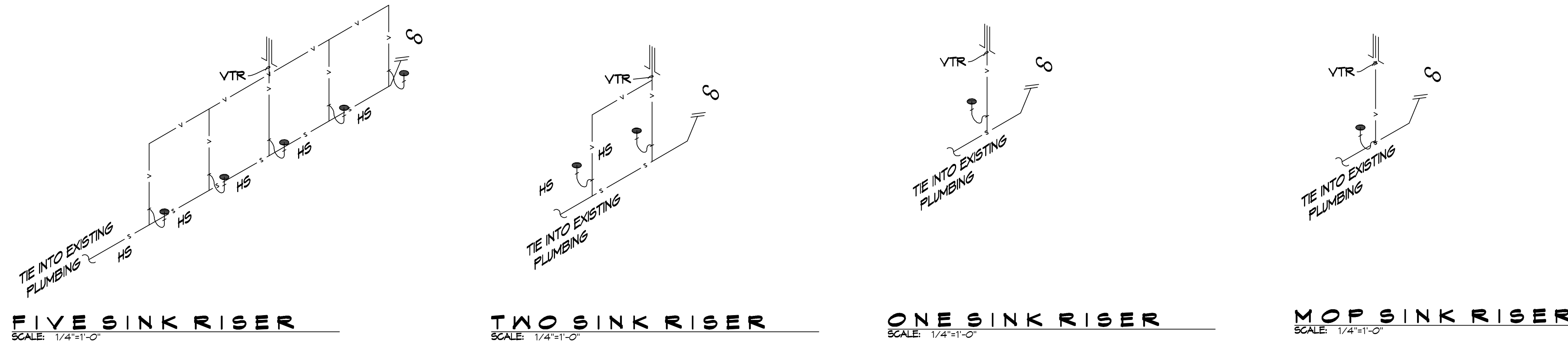
MENS AND WOMENS LOCKER ROOM
CROSSETT ATHLETIC CLUB
 200 NORTH MILITARY ROAD
 SLIDELL, LA
 JOB No: 2927
 DATE: 10-10-2024
 DRAWN BY: LJP
 CHECKED BY: JMS

SHEET TITLE:
 INTERIOR ELEVATIONS
 MENS ROOM

DRAWING NUMBER:

A109

FILE NAME: A:_Drawing\3227 - Cross Data\Arch\3227.dwg DATE: 10/10/2024 10:53:33 AM



FIVE SINK RISER
SCALE: 1/4"=1'-0"

TWO SINK RISER
SCALE: 1/4"=1'-0"

ONE SINK RISER
SCALE: 1/4"=1'-0"

MOP SINK RISER
SCALE: 1/4"=1'-0"

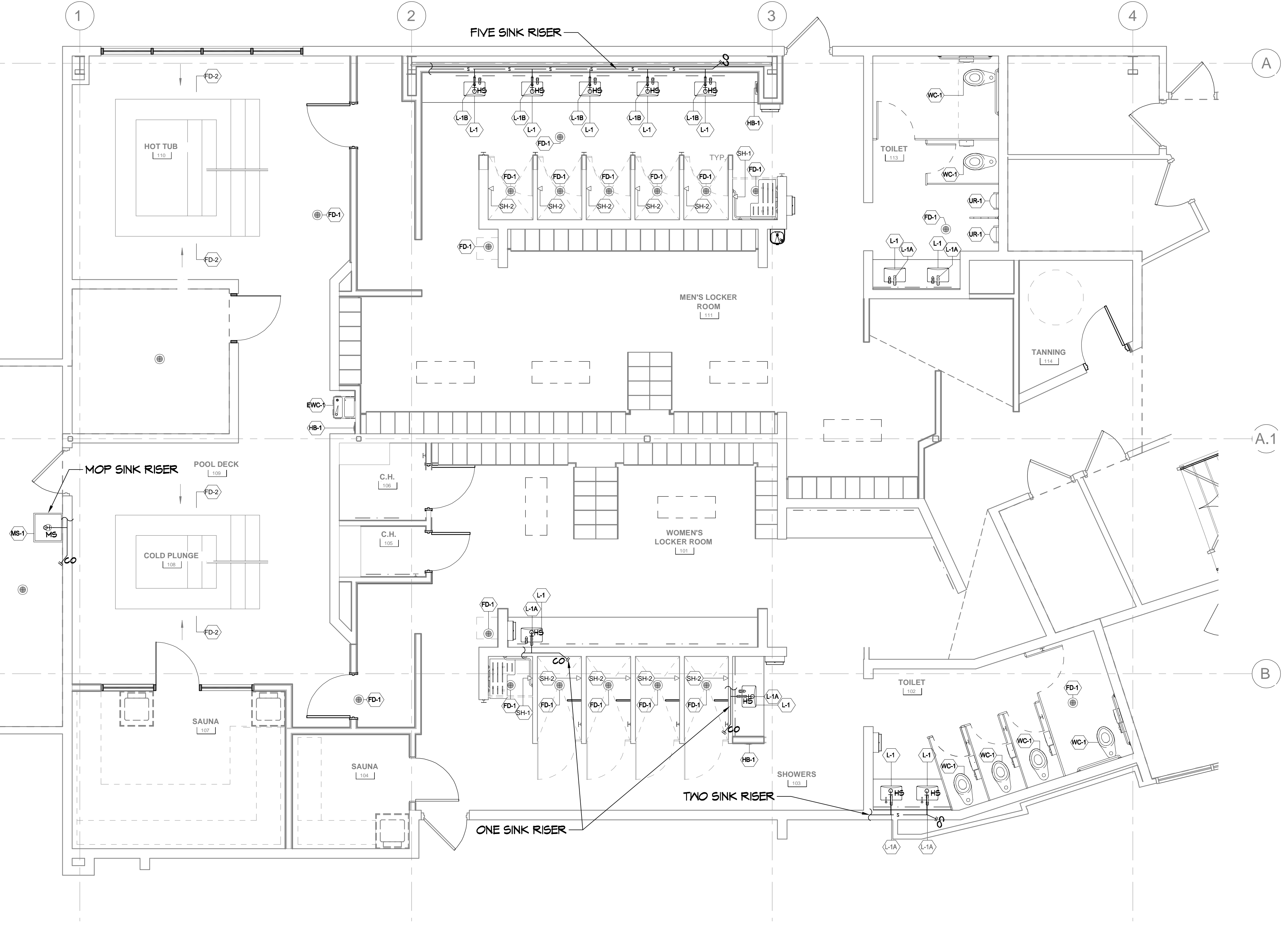
- ### GENERAL PLUMBING NOTES
- PLUMBING LINES SHOWN ARE DRAWN DIAGRAMMATIC IN NATURE AND REPRESENT CONCEPTUAL ROUTING ONLY. CONTRACTOR IS RESPONSIBLE FOR FIELD VERIFICATION OF ALL ACTUAL CONDITIONS.
 - PROVIDE ALL LABOR, MATERIAL, TRANSPORTATION, SUPERVISION, CLEAN-UP, SERVICES, AND EQUIPMENT FOR A COMPLETE OPERATING SYSTEM. THE SYSTEM SHALL INCLUDE HOT AND COLD WATER PIPING, SEWER AND VENT PIPING, INSULATION, WATER HEATER, HANGERS, VALVES, SUPPORTS WITHOUT ANY RESTRICTIONS TO VOLUME, CUT AND PATCH AS REQUIRED TO INSTALL PIPES.
 - ALL WORK AND MATERIAL SHALL CONFORM STRICTLY TO THE LATEST LOCAL CITY, PARISH, STATE AND NATIONAL GOVERNING CODES. MUST MEET LA STATE PLUMBING CODE 2019 REQUIREMENTS.
 - CONTRACTOR IS TO FIELD VERIFY ALL EXISTING UTILITY LOCATIONS, ELEVATIONS AND SIZES PRIOR TO COMMENCING ANY WORK. CONTRACTOR SHALL PAY NECESSARY FEES FOR THE UTILITIES CONNECTIONS.
 - CONTRACTOR IS RESPONSIBLE TO VERIFY THE EXISTING INVERTS AND SET NEW INVERTS OF SEWERAGE AND DRAINAGE PIPES.
 - SEWERAGE LINES 3-INCH AND SMALLER SHALL BE SLOPED 1/4" PER FOOT AND LINES 4-INCH AND LARGER SHALL BE 1/8" PER FOOT.
 - TEST ALL PIPING AT REQUIRED PRESSURE.
 - ALL PLUMBING SHALL BE CLOSELY COORDINATED WITH STRUCTURAL, MECHANICAL SYSTEM AND ELECTRICAL SYSTEMS TO INSURE NO TRADES WILL CONFLICT WITH EACH OTHER.
 - DO NOT SCALE DRAWINGS. SEE ARCHITECTURAL DRAWINGS FOR EXACT LOCATIONS OF DOORS, WINDOWS, WALLS, FIXTURES, ETC.
 - ALL WATER MAINS AND PIPING NOT SHOWN FOR CLARITY, ALL LOCATIONS FIELD VERIFIED.
 - DOMESTIC HOT AND COLD WATER PIPING AND FITTINGS UNDER SLAB SHALL BE ASTM B88 COPPER WATER TUBE, TYPE K, SOFT ANNEALED. NO JOINTS SHALL BE ALLOWED UNDER THE SLAB.
 - DOMESTIC WATER PIPING AND FITTINGS ABOVE THE SLAB SHALL BE ASTM B88 COPPER WATER TUBE, TYPE L, HARD DRAWN WITH COPPER PRESSURE TYPE FITTINGS, ANSI B16.22. THE JOINTS SHALL BE SOLDERED TYPE USING ASTM B32, ALLOY GRADE #5A (#5-S) SOLDER.
 - SOIL, WASTE, VENT PIPING AND FITTINGS ABOVE THE SLAB SHALL BE SERVICE WEIGHT CAST IRON PIPE WITH BELL AND SPIGOT ENDS AND ONE PIECE NEOPRENE INSERT TYPE GASKET. USE PVC SCHEDULE 40 OR ABS DRY PIPES AND FITTINGS WHERE PERMITTED BY CODE.
 - ALL WATER PIPING AND FITTINGS ABOVE THE FLOOR SHALL BE INSULATED WITH 1/2" THICK FIBERGLASS INSULATION AND JACKET.
 - ALL ELECTRICAL, MECHANICAL AND PLUMBING ELEMENTS PENETRATING FIRE PARTITIONS SHALL BE FIRE CAULKED. (PENETRATIONS THROUGH RATED CONSTRUCTION SHALL BE SEALED WITH A MATERIAL CAPABLE OF PREVENTING THE PASSAGE OF FLAMES AND HOT GASES WHEN TESTED IN ACCORDANCE WITH ASTM-E814.)
 - SEE ROOF PLAN FOR PLUMBING ROOF PENETRATIONS. ROUTE VENT PIPES IN ATTIC AS NECESSARY.
 - ALL VENTS THROUGH ROOF (VTR) SHALL BE LOCATED A MINIMUM OF 10'-0" FROM ANY MECHANICAL OR NATURAL AIR INTAKE.

PLUMBING ABBREVIATIONS

HS	HAND SINK	MS	MOP SINK
LAV	LAVATORY	WH	WATER HEATER (PLACED IN ATTIC)
WC	WATER CLOSET		

LEGEND

—S—S—	SEWER LINE
—V—V—	VENT PIPE
—E—	ELBOW UP
FD-C	FLOOR DRAIN
—CO	CLEAN OUT



91st FLOOR BLDG A PLUMBING PLAN
SCALE: 1/4"=1'-0"

DAMMON ENGINEERING, INC.

LOUISIANA & MISSISSIPPI

Chief Engineer: Brian Mistic, PE
 554 Old Spanish Trail
 Slidell, LA 70588
 www.dammonengineering.com
 info@dammonengineering.com
 PH: 985.649.5832

REVISIONS	DATE



REVIEWED FOR STATE FIRE MARSHAL AS PER REVIEW LETTER BY WILLIAM D. JONES, ARCHITECT CBO
William D. Jones

MENS AND WOMENS LOCKER ROOM
CROSSETTES CLUB
 200 NORTH MILITARY ROAD
 SLIDELL, LA
 JOB No: 2527 DATE: 10-10-2024
 DRAWN BY: CKD CHECKED BY: BAK

SHEET TITLE:
1st FLOOR BLDG A PLUMBING PLAN

DRAWING NUMBER:
P101

SHEET No: 16 of 17

PLUMBING FIXTURE SCHEDULE

MARK	DESCRIPTION	MANUFACTURER	MODEL NO.	REMARKS
MS-1	MOP SINK	FIAT PRODUCTS	MSBIDT2424	FAUCET: FIAT PRODUCTS, 830AA000
FD-1	EXISTING FLOOR DRAIN TO REMAIN	-	-	KEEP THE BODY AND REPLACE WITH NEW GRATE: ZURN Z4135
FD-2	LINEAR FLOOR DRAIN	-	-	DRAIN TO BE SPECIFIED BY AQUATICS ENGINEER
WC-1	FLOOR MOUNTED TOILET	AMERICAN STANDARD	MADERA FLOWISE 16-1/2" HEIGHT ELONGATED FLUSHOMETER TOILET	FLUSHOMETER: AMERICAN STANDARD 606B.161 ELECTRONIC SENSOR OPERATED TOILET FLUSH VALVE
L-1	UNDERMOUNT SINK	AMERICAN STANDARD	0614.000 STUDIO UNDER COUNTER SINK	-
L-1A	FAUCET	BRADLEY	553-3100 VERGE FAUCET ZEN SERIES	FINISH: BRUSHED NICKEL
L-1B	MANUAL FAUCET	SYMMONS	5L53612PP DURO SINGLE HANDLE LAVATORY FAUCET	FINISH: SATIN NICKEL
ENC-1	ADA WATER COOLER	ELKAY	LVRCSNWK EZH2O WALL HUNG, BOTTLE FILLING STATION	-
SH-1	ADA SHOWER	SYMMONS	9503-H521-V-CYL-B-TRM	SHOWER HEAD & TRIM, FINISH: SATIN NICKEL
SH-2	SHOWER	SYMMONS	9541BTRM	SHOWER HEAD & TRIM, 1.75 GPM, FINISH: SATIN NICKEL
UR-1	URINAL	AMERICAN STANDARD	PRINTBOOK URINAL 6002.001	FLUSHOMETER: AMERICAN STANDARD 606B.101 ELECTRONIC SENSOR OPERATED URINAL FLUSH VALVE
HB-1	HOSE BIBB	WOODFORD	B24	EXTERIOR FINISH: ANODIZED ALUMINUM

TOILET ACCESSORY SCHEDULE

NOTE: GENERAL CONTRACTOR TO CONFIRM ALL WALL THICKNESS CAN ACCOMMODATE RECESSED ITEMS AND PROVIDE BLOCKING FOR ALL

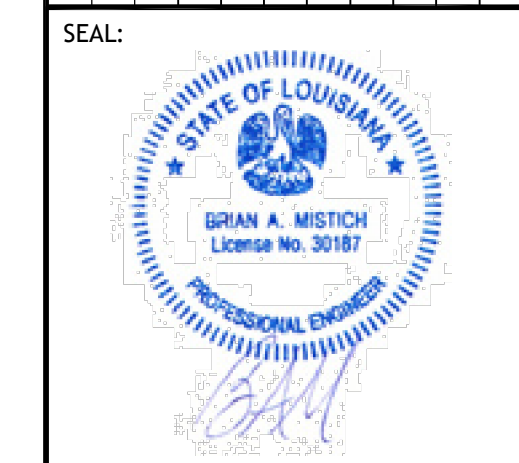
MARK	DESCRIPTION	MANUFACTURER	MODEL NO.	REMARKS
TA1	TOILET PAPER DISPENSER	BOBRICK	B-9840 FINO COLLECTION	SURFACE-MOUNTED
TA2	SANITARY NAPKIN DISPOSAL	BOBRICK	B-95191 TRIMLINE SERIES COLLECTION	SURFACE-MOUNTED
TA3A	PAPER TOWEL DISPENSER	TORK	469002	SURFACE-MOUNTED
TA3B	TRASH WALL MOUNTED SYSTEM	BOBRICK	B-95691 TRIMLINE SERIES COLLECTION	SURFACE-MOUNTED
TA4	TOILET PARTITION	BOBRICK	DESIGNER SERIES HPL 2041 SEE REMARKS FOR FINISH	CONTRACTOR PURCHASED AND INSTALLED. FINISH: (PL-3)
TA5	URINAL SCREEN	BOBRICK	DESIGNER SERIES HPL 2041 SEE REMARKS FOR FINISH	CONTRACTOR PURCHASED AND INSTALLED. FINISH: (PL-3)
TA6A	GRAB BAR	BOBRICK	B-4806-36 FINO COLLECTION, SATIN FINISH	-
TA6B	GRAB BAR	BOBRICK	B-4806-42 FINO COLLECTION, SATIN FINISH	-
TA7	SHOWER GRAB BAR	BOBRICK	B-5806 SATIN FINISH	-
TA8	SHOWER SEAT	TEAKWORKS4U	TBF-300225WL	-
TA9A	CURTAIN ROD	BOBRICK	B-207 HEAVY DUTY SHOWER CURTAIN ROD	-
TA9B	SHOWER CURTAIN	BOBRICK	204-2 VINYL SHOWER CURTAINS	-
TA10	DOUBLE COAT HOOK	BOBRICK	B-16121 STAINLESS STEEL SATIN FINISH	-
TA11A	BACKLIT MIRROR	MIRROR AND MARBLE	MAM42844 LED MIRROR SIDE LIGHTED 28X44	-
TA11B	BACKLIT MIRROR	MIRROR AND MARBLE	MAM4248 LED MIRROR SIDE LIGHTED 32X48	-
TA11C	BACKLIT MIRROR	MIRROR AND MARBLE	MAM46040 LED MIRROR SIDE LIGHTED 60X40	-
TA11D	BACKLIT MIRROR	MIRROR AND MARBLE	MAM83660 LED MIRROR FRONT LIGHTED 36X60	-
TA12	COUNTERTOP MOUNTED SOAP DISPENSER	BRADLEY	6-3100 VERGE ZEN SERIES HARDWIRED, BRUSHED NICKEL FINISH	MULTI-FEED SYSTEM AT MULTIPLE SINK LOCATION; SINGLE FEED AT SINGLE SINK LOCATION.

DAMMON ENGINEERING, INC.
LOUISIANA & MISSISSIPPI

www.dammonengineering.com
info@dammonengineering.com
PH: 985.649.5832

Chief Engineer: Brian Mistich, PE
554 Old Spanish Trail
Slidell, LA 70458

REVISIONS	#	DESCRIPTION	DATE



REVIEWED FOR STATE FIRE MARSHAL AS PER REVIEW LETTER BY WILLIAM D. JONES, ARCHITECT, CBO

William D. Jones

MENS AND WOMENS LOCKER ROOM
CROSSETTES
CATHLETIC CLUB

200 NORTH MILITARY ROAD
SLIDELL, LA

JOB No: 2527 DATE: 10-10-2024
L.P. CHECKED BY: BAW

SHEET TITLE:
PLUMBING AND TOILET
SCHEDULE

DRAWING NUMBER:
P102

SHEET No: 17 of 17