

Advantage Fire Specialists, LLC

The following is a list of the Honeywell Silent Knight Fire Detection and Alarm Equipment that we propose to furnish and install.

<u>QTY</u>	<u>MODEL NO.</u>	<u>DESCRIPTION</u>
1	SK6808	Silent Knight Addressable Control Panel.
21	SK-PHOTO	Smoke Detector.
2	SK-HEAT	Heat Detector.
6	SK-PULL-SA	Fire Alarm Manual Pull Station.
1	SK-Monitor	Silent Knight Monitor Module.
4	SK-Relay	Silent Knight Relay Module.
4	PC2WL	System Sensor Horn Strobe (Ceiling).
24	SCWL	System Sensor Strobe (Ceiling).
1	SLE-LTEV-FIRE	Starlink Cellular Communicator.

SHOP DRAWING / SUBMITTAL REVIEW

REVIEWED REVIEWED AS NOTED
 REVISE AND RESUBMIT REJECTED

Project No.: 3 PCAS Submittal No.: _____

Corrections or comments made on the shop drawings during this review do not relieve the contractor from compliance with requirements of the drawings and specifications. This check is only for review of the general conformance with the design concept of the project and general compliance with the information given in the contract documents. This contractor is responsible for: confirming and correlating all quantities and dimensions; selecting fabrication processes and techniques of construction; coordinating his or her work with that and other trades and performing all in a safe and satisfactory manner.

By: Chuck Dammon Date: 03-02-26

DAMMON ENGINEERING, INC.
 Slidell, LA

All new Honeywell Silent Knight Fire Detection and Alarm equipment furnished and installed by Advantage Fire Specialists, LLC is guaranteed to be free from defects in material and workmanship for one (1) year from the date of the final test and acceptance by the State Fire Marshal's Office.



Addressable Fire Alarm Control Panels

6808

Addressable Fire Alarm Control Panel

The 6808 is an addressable fire alarm control panel (FACP) that is a direct replacement for the 5808 FACP. The 6808 can be configured to achieve a point capacity of 198 points. It has one built-in signaling line circuit (SLC), which can support 99 System Sensor® (SK) sensors and 99 SK modules or 127 Hochiki® (SD) devices per loop.

A common communications and annunciation link allows up to 17 panels to be connected via copper or fiber optic cable. A designated panel is configured as the communicator for all panels in the link for convenient single-point communications. It also has a built-in, dual-line POTS and IP communicator with additional cellular options available.

The 6808 system can be enhanced by adding modules such as the 6860 remote annunciator which also has four programmable function buttons to help automate tasks and reduce time spent at the panel.

SWIFT® wireless compatibility provides options for wireless detection through a Class A mesh network. It is ideal for hard-to-wire locations, buildings where new wiring is not allowed, or to provide an easy install fire system for new construction projects. SWIFT devices can be combined with other hard-wired 6808 compatible devices.

The 6808 also has a form-C trouble relay, two programmable form-C relays, along with powerful features such as drift compensation, pre-trouble maintenance alert, a built-in sensor test to comply with NFPA 72 calibration testing requirements, and calibration trouble alert.



6808

The supports a variety of devices, including the 6860, 5860, and 6855 remote annunciators, 5824 serial parallel printer interface module (for printing system reports), the 5496 NAC expander, 5895XL power module, and SK or SD devices.

FEATURES & BENEFITS

- Capable of providing up to 198 points to satisfy smaller installation needs
- Connect up to 17 panels on one site with convenient single-point access using the SK-NIC Network Interface Card. Connected panels can have mixed compatible FACP models
- Convenient field-upgradeable firmware
- Built-in dual path POTS and IP communications with optional cellular models available for reliable backup reporting
- 6860 annunciator with a 4 x 40 large display
- Four user-programmable buttons minimize time spent executing complex or routine tasks
- Built-in USB interface for convenient and quick programming
- Programmable date setting for automatic and convenient Daylight Saving Time changes
- JumpStart® auto programming reduces installation time
- 125 software zones and 125 output groups for flexible design options

SIGNAL LINE CIRCUIT (SLC)

The 6808 SLC loop supports multiple device types, maintenance alerts, and a built-in sensor test to comply with NFPA 72 calibration testing requirements.

INDICATOR LIGHTS

- **General Alarm (Red):** Flashes if in alarm; solid when alarm is silenced
- **Supervisory (Yellow):** Flashes if a supervisory condition exists; solid when supervisory is silenced
- **System Troubles (Yellow):** Flashes if a trouble condition exists; solid when trouble is silenced
- **System Silenced (Yellow):** On when an alarm, trouble or supervisory condition has been silenced but not yet cleared
- **System Power (Green):** Flashes for AC failure; solid when power systems are normal

USER INTERFACE

The 6808 built-in 4 x 20 annunciator with 80 character LCD display and large easy-to-use tactile touchpad can be used for system operation, programming and maintenance. It has five LEDs for alarm, supervisory, system trouble, system silenced and system power.

System operations include silencing alarms and troubles, resetting alarms and the display of alarm troubles and memory. The system's non-volatile event history buffer stores 1,000 events for viewing from the built-in or remote annunciator. System operations can be initiated with a mechanical firefighter's key or a valid 4- to 7-digit operator's code.

PROGRAMMING

The 6808 system offers several options to simplify and speed-up programming. JumpStart® auto programming minimizes programming required to start a new system. The built-in keypad, or the 6860, 5860 or 6855 remote annunciators give you on-site access to current system programming. Programming can also be accomplished using the Windows®-based Honeywell Fire Software Suite (HFSS) program.

SOFTWARE TOOLS

SKST: Silent Knight Selection Tool provides the installer or design architect with a Windows® software system configuration tool to create a detailed Bill of Material (BOM) and battery calculations.

HFSS: Honeywell Fire Software Suite provides communication and panel programming, detector status, event history and additional data. Requires a PC running Microsoft® Windows®.

ADDITIONAL INFORMATION

Twisted-unshielded pair wire is recommended.

The 6808 also has 13 preset notification cadence patterns (including ANSI 3.41).

AGENCY LISTINGS AND APPROVALS

NPFA 13, NFPA 15, NFPA 16, NFPA 70, NFPA 72: Central station; remote Signaling; Local Protective Signaling Systems; Auxiliary Protected Premises Unit; Water Deluge releasing service. Suitable for automatic, manual, waterflow, sprinkler supervisory (DACT non-coded) signaling services

- **UL Listed:** S2766
- **CSFM:** 7165-0559:0502
- **FDNY:** COA# 6246
- **FM approved**

ORDERING INFORMATION

6808: Addressable Fire Alarm Control Panel. (Red cabinet).

COMPATIBLE ANNUNCIATORS

6860: 4x40 LCD remote fire annunciator (4 lines and up to 160 characters) per system; four programmable buttons

5860: 4x20 LCD remote fire annunciator. 5860 is gray; 5860R is red

6855: 4x20 LCD remote fire annunciator

5865-3 or 5865-4: LED annunciators can display up to 30 LEDs (15 red and 15 yellow). The 5865-4 has key switches for silence and reset, and a system trouble LED.

5880: LED / IO module has 40 programmable LED outputs and eight supervised dry contact inputs which are useful for custom applications. You can use up to eight 5880 modules on one control panel for maximum flexibility. Its compact size allows mounting inside the annunciator, or in an accessory cabinet.

6808 COMPATIBLE DEVICES AND ACCESSORIES

See the data sheets listed below for a complete listing of the SK, SD or SWIFT devices.

53623: SK Devices Data Sheet

53624: SD Devices Data Sheet

350614, 350616 & 350618: SWIFT wireless devices

For a complete and current listing of compatible devices and accessories, visit www.silentknight.com.

Important: You cannot mix SK and SD devices in the same fire alarm system.

SK COMPATIBLE ADDRESSABLE DEVICES

SK-ACCLIMATE: Multi criteria photoelectric smoke detector with thermal 135°F fixed temperature
SK-BEAM: Reflected beam smoke detector without test feature
SK-BEAM-T: Reflected beam smoke detector with test feature
SK-CONTROL: Supervised control module
SK-CONTROL-6: Six circuit supervised control module
SK-DUCT: Photoelectric duct smoke detector with extended air speed range
SK-FIRE-CO: Four criteria fire and carbon monoxide detector
SK-HEAT: Fixed thermal detector (135°F)
SK-HEAT-W: Fixed thermal detector (135°F), white
SK-HEAT-ROR: Fixed rate of rise detector (135°F)
SK-HEAT-ROR-W: Fixed rate of rise detector (135°F), white
SK-HEAT-HT: Fixed high temperature thermal detector (190°F)
SK-HEAT-HT-W: Fixed high temperature thermal detector (190°F), white
SK-ISO: Fault isolator module
SK-MINIMON: Mini monitor module
SK-MONITOR: Monitor module
SK-MONITOR-2: Dual input monitor module
SK-MON-10: 10 input monitor module
SK-PHOTO: Photoelectric smoke detector
SK-PHOTO-W: Photoelectric smoke detector, white
SK-PHOTO-T: Photoelectric smoke detector with thermal (135°F fixed temperature)
SK-PHOTO-T-W: Photoelectric smoke detector with thermal (135°F fixed temperature), white
SK-PHOTOR: Photoelectric detector with remote test capability
SK-PHOTO-R-W: Photoelectric detector with remote test capability, white
SK-PULL-SA: Addressable single action pull station
SK-PULL-DA: Addressable dual action pull station
SK-RELAY: Addressable relay module
SK-RELAY-6: Addressable Six relay control module
SK-RELAYMON-2: Addressable Dual relay/monitor module
SK-ZONE: Addressable zone interface module
SK-ZONE-6: Six zone interface module
B300-6(-IV): 6" base for SK-W Series
B210LP: 6" mounting base
B501(-BL,-IV,-WHITE): 4" flangeless base
B501: 4" Flangeless mounting base
B200S(-IV,-WH): Intelligent sounder base
B200S: Intelligent sounder base

B200S-LF(-IV,-WH): Low-Frequency intelligent sounder base
B200S-LF: Low-frequency intelligent sounder base
B224RB(-IV,-WH): Relay base
B224RB: Relay base
B224BI(-IV,-WH): Isolator base
B224BI: Isolator base

SD COMPATIBLE ADDRESSABLE DEVICES

SD505-6AB: Addressable 6" base
SD505-6IB: Addressable 6" short circuit isolator base
SD505-6RB: Addressable 6" relay base
SD505-6SB: Addressable 6" sounder base
SD500-AIM: Addressable input module (switch input)
SD500-ANM: Addressable notification module
SD500-ARM: Addressable relay module
SD505-DTS-K: Remote test switch and LED indicator for the SD505-DUCTR
SD505-DUCT: Addressable Duct Smoke Detector.
SD505-DUCTR: Addressable Duct Detector housing with relay base.
SD505-HEAT: Absolute temperature heat detector. Trip point range from 135°F–150°F (0°C–37°C).
SD500-LIM: Addressable Line isolator module
SD500-MIM: Addressable Mini input monitor module (switch input)
SD505-PHOTO: Photoelectric smoke detector
SD500-PS/-PSDA: Addressable Single or dual action pull station
SD500-SDM: Addressable smoke detector module

AUDIBLE/VISIBLE DEVICES

These AV devices are all 2-wire. Color: "R" indicates red; "W" denotes white. For a complete listing of Silent Knight AV devices go to www.silentknight.com.
CHSRL/CHSWL: Wall chime/strobe
CHSRL/CHCWL: Ceiling chime/strobe
CHRL/CHWL: Wall chime
HRL/HWL: Wall horn
P2RL/P2WL: Wall horn/strobe
PC2RL/PC2WL: Ceiling horn/strobe
SRL/SWL: Wall strobe
SCRL/SCWL: Ceiling strobe
SPSRL/SPSCWL: Ceiling speaker/strobe
SPSRL/SPSWL: Wall speaker/strobe
SPRL/SPWL: Wall speaker
SPCRL/SPCWL: Ceiling speaker

SWIFT WIRELESS DEVICES

SWIFT is only compatible with System Sensor (SK) devices. It is not compatible with Hochiki (SD) devices.

WSK-WGI: Wireless Gateway
WSK-PHOTO: Wireless Photoelectric smoke detector
WSK-PHOTO-T: Wireless Multi-criteria photoelectric smoke detector with thermal detection (135°F fixed temperature) and B510W 4" base
WSK-HEAT: Wireless Heat, (135°F fixed temperature) and B510W 4" base
WSK-HEAT-ROR: Wireless heat, ROR (135°F fixed temperature) and B510W 4" base
WSK-MONITOR: Wireless monitor module
WSK-RELAY: Wireless relay module
W-USB: SWIFT Tools USB transceiver used for communication with SWIFT devices

SBUS ACCESSORIES

5496: A 6 amp notification power expander with four power-limited notification appliance circuit outputs.
5883: Relay Interface. Provides 10 Form C relays.
5824: Serial/Parallel Printer Interface Module for printer connection.
5895XL: Power Supply with six Flexput™ circuits, and two Form C relays. Max. 16 per system.
5815RMK: Remote mounting kit. Dimensions: 10 3/8"W x 10-3/16"H x 3"D

COMMUNICATION OPTIONS

CELL-CAB-SK: Cellular communicator, metal enclosure with lock/key*
CELL-MOD: Cellular communicator, plastic enclosure*
*Sole path, powered by panel.
IPGSM-4G: Dual path fire alarm communicator, cellular and/or IP (primary or backup, selectable)
SK-IP-2: Remote reporting via the Internet. Requires a VisorAlarm® receiver at the central station

MISC. ACCESSORIES

SK-NIC: Network Interface Card. Provides a common communications link for the 6808.
SK-NIC-KIT: Installation Accessory Kit
SK-FML: Fiber-Optic Multi Mode, transmitter and receiver
SK-FSL: Fiber-Optic Single Mode
RBB: Remote battery box accessory cabinet for batteries that are too large to fit in the FACP cabinet. Dimensions: 16" W x 10" H x 6" D (406mm W x 254mm H x 152mm D).
SK-SCK: Seismic Compliance Kit used to securely fasten batteries to the fire panel.

6808 Technical Specifications

PHYSICAL

Overall Dimensions: 16.36"W x 26.37"H x 3.91"D

Shipping Weight: 32 lbs.

Color: Red

ENVIRONMENTAL

Operating Temperature: 32°F to 120°F (0°C to 49°C)

Humidity: 0 to 93% relative humidity (non-condensing)

ELECTRICAL

6808 Primary AC: 120 VAC @ 60Hz, 3.3A Total

Accessory Load: 6A @ 27.4VDC power-limited

Standby Current: 190mA

Alarm Current: 250mA

Battery Charging Capacity: 7 to 35AH

Battery Size: 7AH to 18AH max. allowed in control panel cabinet. Larger capacity batteries can be housed in RBB accessory cabinet.

NOTIFICATION APPLIANCE CIRCUITS (NACs)

Four programmable circuits which can be programmed individually as:

NACs: 3A @ 27.4VDC per circuit, power-limited (with a maximum current of 6A)

Auxiliary Power Circuits: 3A @ 27.4VDC per circuit, power-limited

Supports Class B (Style 4) and Class A (Style 6 or 7) configuration for the SLC

WIRING: See the product manual for wiring details

Flexput[®], Honeywell[®], JumpStart[®], Silent Knight[®], SWIFT[®], and System Sensor[®] are registered trademarks of Honeywell International Inc.

Hochiki[®] is a registered trademark of Hochiki Corporation. Microsoft[®] and Windows[®] are registered trademarks of Microsoft Corporation.

This document is not intended to be used for installation purposes. We try to keep our product information up-to-date and accurate. We cannot cover all specific applications or anticipate all requirements. All specifications are subject to change without notice.

For Technical Support, call 800-446-6444.

Honeywell Silent Knight

12 Clintonville Road
Northford, CT 06472
800-328-0103

351608 | B | 09/18
© 2018 Honeywell International Inc.



**FSZI.S2766
Emergency Alarm System Control Units**[Page Bottom](#)**Emergency Alarm System Control Units**[See General Information for Emergency Alarm System Control Units](#)**SILENT KNIGHT BY HONEYWELL**

S2766

1985 Douglas Dr
MN10-212A
Golden Valley, MN 55422 USA

Local operating consoles, Model(s) ECS-LOC, ECS-LOC2100, EVS-LOC**Subassemblies, amplifier boards**, Model(s) EVS-125WBD**Subassemblies, annunciator boards**, Model(s) 6861BIA, 6861GIA**Subassemblies, enclosures**, Model(s) 006700CB, 006808CB, 006820CB, 6820EVSCB, IFP-2100BCB, IFP-2100CB, IFP-2100ECSBCB, IFP-2100ECSCB, IFP-300BCB, IFP-300CB, IFP-300ECSCB, IFP-300ECSSBCB, IFP-75BCB, IFP-75CB, RFP-2100BCB, RFP-2100CB**Subassemblies, fiber optic multi mode boards**, Model(s) SK-FML**Subassemblies, fiber optic single model boards**, Model(s) SK-FSL**Subassemblies, LED/switch cards**, Model(s) ECS-EMG**Subassemblies, main boards**, Model(s) 021000, 067000, 068080, 068200**Subassemblies, network cards**, Model(s) SK-NIC**Subassemblies, network voice modules**, Model(s) ECS-NVCM**Subassemblies, SLC expanders**, Model(s) 6815**Subassemblies, trim rings**, Model(s) SP+TR, SP-TRB**Type SM control units**, Model(s) 00IFP-1000xxHV (b), 058200IFPxxHV (b), 5700 (b), 5808 (b), 5820XL (b), 6700 (b), 6808 (b), 6820 (b), 6820EVS (d), ECS-DUAL50W, ECS-DUAL50WHV (d), ECS-RCU2000 (d), EVS-100W, IFP-100 (b), IFP-1000 (b), IFP-1000ECS (c), IFP-1000ECSHV (d), IFP-1000HV (b), IFP-100ECS (c), IFP-2000 (b), IFP-2000/ECS (d), IFP-2000/ECSHV (d), IFP-2000HV (b), IFP-2100 (b), IFP-2100B (b), IFP-2100ECS (d), IFP-2100ECSB (d), IFP-2100ECSHV (d), IFP-2100ECSHVB (d), IFP-2100HV (b), IFP-2100HVB (b), IFP-300 (b), IFP-300ECS, IFP-50 (b), IFP-75 (b), RFP-2100 (b), RFP-2100B (b), RFP-2100HV (b), RFP-2100HVB (b), RPS-2000 (b), RPS-2000HV (b)**Type SM control units**, Model(s) SK-5UD, SK-5UDE, manually actuated to produce local alarm annunciation due to the following conditions: Hazard/Tornado, Medical Alert. (a)

(a) - Complementary listed to QVAX and UOJZ.

(b) - Automatically actuated to produce local alarm annunciation due to the following conditions: Carbon monoxide; Complementary listed to SYZV and UOJZ.

(c) - Automatically actuated to produce local alarm annunciation due to the following conditions: Carbon monoxide; Complementary Listed to PGWM, QVAX, SYZV and UOJZ.

(d) - Automatically actuated to produce local alarm annunciation due to the following conditions: Carbon monoxide; Complementary Listed to PGWM, SYZV and UOJZ.

[Last Updated](#) on 2017-10-10[Questions?](#)[Print this page](#)[Terms of Use](#)[Page Top](#)

The appearance of a company's name or product in this database does not in itself assure that products so identified have been manufactured under UL's Follow-Up Service. Only those products bearing the UL Mark should be considered to be Certified and covered under UL's Follow-Up Service. Always look for the Mark on the product.

UL permits the reproduction of the material contained in the Online Certification Directory subject to the following conditions: 1. The Guide Information, Assemblies, Constructions, Designs, Systems, and/or Certifications (files) must be presented in their entirety and in a non-misleading manner, without any manipulation of the data (or drawings). 2. The statement "Reprinted from the Online Certifications Directory with permission from UL" must appear adjacent to the extracted material. In addition, the reprinted material must include a copyright notice in the following format: "© 2018 UL LLC".



SK-PHOTO, SK-PHOTO-T, and SK-PHOTOR

Intelligent Photoelectric Smoke Detectors

The SK-PHOTO is a photoelectric smoke detector, the SK PHOTO-T is a photoelectric smoke detector with thermal and SK-PHOTOR is a photoelectric detector with remote test capability. These plug in smoke detectors, with integral communication, provide features that surpass conventional detectors and are for use with the Honeywell Silent Knight series fire alarm control panels (FACPs).

SK-PHOTO and SK-PHOTO-T are plug-in type smoke sensors that combine a photoelectric sensing chamber with addressable analog communications. Point ID capability allows each detector's address to be set with rotary address switches, providing exact detector locations for selective maintenance when chamber contamination reaches unacceptable levels.

SK-PHOTO and SK-PHOTO-T have a unique optical sensing chamber that is engineered to sense smoke produced by a wide range of combustion sources. In the SK-PHOTO-T, dual electronic thermistors add 135°F (57°C) thermal technology to maximize detection.

The SK-PHOTOR is a remote test capable detector for use with the DNR/DNRW duct smoke detector (not included).



SK-PHOTO (BASE INCLUDED)

COMPATIBILITY

SK-Photo, and SK-Photo-T are compatible with the following detector bases:

B210LP: 6" base (included)

B501: 2 wire base

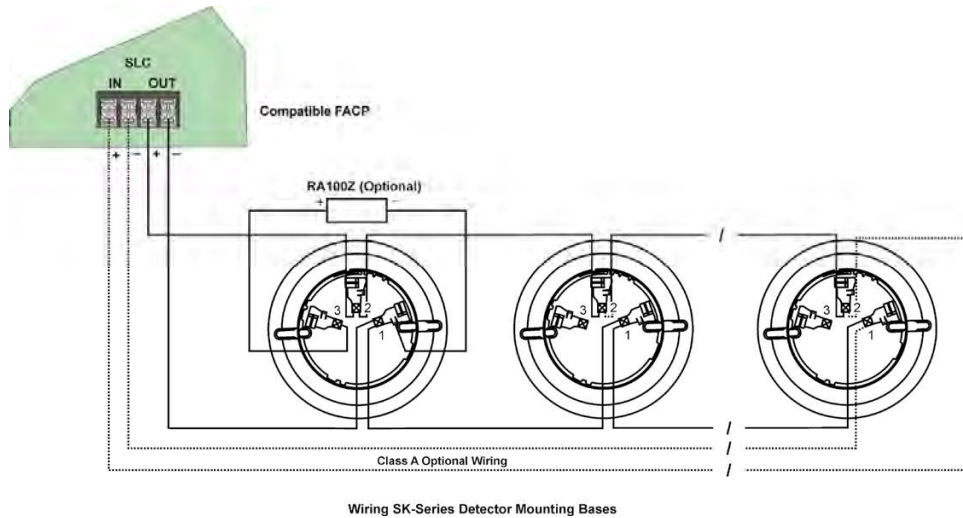
B224RB: Relay base

B224BI: Isolator base

FEATURES & BENEFITS

- Sleek, low-profile design
- Superior EMI resistance for reliability
- Detector transmits signal to indicate maintenance is required
- Plug-in mounting provides ease of installation
- Listed for use in duct applications
- Base included
- Simple field cleaning for code compliance
- Optional remote LED annunciator (System Sensor® PN RA100Z)
- Tamper-proof feature available on mounting bases
- Rotary address switches for fast installation
- Reliable analog communications for trouble-free operation
- Variety of mounting options to meet any application
- Dual LED indicators for 360° visibility
- Age resistant polymer housing
- Dual electronic thermistor design on the SK-Photo-T

SK-PHOTO, SK-PHOTO-T and SK-PHOTOR Technical Specifications



For a complete listing of all compliance approvals and certifications, please visit www.silentknight.com.

Microsoft, Windows, and the Windows Logo are registered trademarks or trademarks of Microsoft Corporation.

Silent Knight®, System Sensor® and Honeywell® are registered trademarks of Honeywell International, Inc.

This document is not intended to be used for installation purposes. We try to keep our product information up-to date and accurate. We cannot cover all specific applications or anticipate all requirements. All specifications are subject to change without notice.

For Technical Support, call 800-446-6444.

PHYSICAL

Height: 2.0" (5.0 cm)

Diameter: 4.1" (10.4 cm) installed in B501 base

ELECTRICAL

Operating Voltage: 15–32VDC

Standby Current: 300 μ A @ 24VDC Maximum

Alarm Current: 6.5mA @ 24VDC max (with LED on)

ENVIRONMENTAL

Operating Temperature

SK-Photo: 32° – 120°F (0°C – 49°C)

SK-Photo-T: 32° – 100°F (0°C – 38°C)

Humidity: 10% – 93% non-condensing

OTHER RATINGS

SK-Photo-T Thermal: Fixed temperature set point 135°F (57°C)

Velocity: 0 – 4000 fpm (0 – 20 m/sec)

INSTALLATION

The SK-PHOTO and SK-PHOTO-T plug into a compatible Silent Knight series detector bases. The SK-PHOTOR is a remote test capable detector head included within the DNR (W) duct smoke detector.

ORDERING INFORMATION

SK-PHOTO: Photoelectric smoke detector

SK-PHOTO-T: Photoelectric smoke detector with thermal (135°F fixed temperature)

SK-PHOTOR: Photoelectric detector with remote test capability

ACCESSORIES

RA100Z: Remote LED annunciator

XR2B: Detector removal tool. A removal and replacement tool for SK series plug-in detectors. Includes the T55-127-000

M02-04-01: Detector test magnet.

M02-09-00: Test magnet with telescoping handle

XP-4: Extension Pole for XR2B. Extends from 5 – 15 ft.

T55-127-000: Detector Removal Head

BCK-200B: Black Detector Kit. For SK series detectors

COMPATIBILITY

The SK-PHOTO, SK-PHOTO-T and SK-PHOTOR are compatible with the following Honeywell Silent Knight fire alarm control panels:

6820: Addressable fire alarm control panel

6820EVS: Addressable fire alarm control panel with an emergency mass notification system.

6808: Addressable fire alarm control panel

6700: Addressable fire alarm control panel

5700: Addressable fire alarm control panel

5808: Addressable fire alarm control panel

5820XL: Addressable fire alarm control panel

5820XL-EVS: Addressable fire alarm control panel with an emergency mass notification system.

For more information

Learn more about Honeywell Silent Knight and other products by visiting www.silentknight.com

Honeywell Silent Knight

12 Clintonville Road
Northford, CT 06472
800-328-0103

Doc 350118 | Rev G | 11/17
© 2017 Honeywell International Inc.



**UROX.S6173**
Smoke-automatic Fire Detectors[Page Bottom](#)**Smoke-automatic Fire Detectors**[See General Information for Smoke-automatic Fire Detectors](#)**SILENT KNIGHT BY HONEYWELL**

S6173

1985 Douglas Dr

MN10-212A

Golden Valley, MN 55422 USA

Detector	Application	Type	Compatibility	Velocity Range (fpm)		Date of Manufacture	Time of Manufacture	Firmware Version
				Min	Max			
Model	Application	Type	Restrictions	Min	Max	Manufacture	Firmware Version	Update
IDP-BEAM, IDP-BEAM-T, SK-BEAM, SK-BEAM-T								
	OAP	PB	D2			-	-	-
IDP-FIRE-CO	OAP	P(IHD)	D4	0	4000	-	-	-
IDP-ION, SK-ION	OAP	I	D2	0	500	-	-	-
IDP-PHOTO, IDP-PHOTOR, SK-PHOTO, SK-PHOTOR								
	OAP, D(I)	P	D2	0	4000	-	-	-
IDP-PHOTO-IV	OAP, D(I)	P	D2	0	4000	-	-	-
IDP-PHOTO-R-IV	OAP, D(I)	P	D2	0	4000	-	-	-
IDP-PHOTO-R-W	OAP, D(I)	P	D2	0	4000	-	-	-
IDP-PHOTO-T, IDP-ACCLIMATE, SK-PHOTO-T, SK-ACCLIMATE								
	OAP	P(IHD)	D2	0	4000	-	-	-
IDP-PHOTO-T-IV	OAP, D(I)	P	D2	0	4000	-	-	-
IDP-PHOTO-T-W	OAP, D(I)	P	D2	0	4000	-	-	-
IDP-PHOTO-W	OAP, D(I)	P	D2	0	4000	-	-	-
SD400-CPS	OAP	P	D6	0	300	-	-	-
SD505-AIS	OAP	I	D2, D6	0	300	-	-	-
SD505-APS	OAP	P	D2, D6	0	300	-	-	-
SD505-DUCT	D(ST)	P	D2, D6	300	4000	-	-	-
SD505-PHOTO	OAP, D	P	D2	0	4000	-	-	-

SK-FIRE-CO	OAP	P(IHD)	D4	0	4000	-	-	-
SK-PHOTO-R-W	OAP, D(I)	P	D2	0	4000	-	-	-
SK-PHOTO-T-W	OAP, D(I)	P	D2	0	4000	-	-	-
SK-PHOTO-W	OAP, D(I)	P	D2	0	4000	-	-	-
WIDP-ACCLIMATE	OAP	P(RF)	D2	0	4000	-	-	-
WIDP-PHOTO	OAP	P(RF)	D2	0	4000	-	-	-
WSK-PHOTO	OAP	P(RF)	D2	0	4000	-	-	-
WSK-PHOTO-T	OAP	P(RF) (IHD)	D2	0	4000	-	-	-

Detector	Application	Type	Compatibility Restrictions	Velocity Range (fpm)		Pressure Differential Between Sampling Tube		Date of Manufacture	Time of Manufacture	Firmware Version
				Min	Max	Min	Max			
IDP-PDUCT, IDP-PDUCT-R (a)	D(ST)	P	D2	100	4000	0.03	1.4	-	-	-
SK-DUCT (b)(c)	D(ST)	P	D2	100	4000	0.01	1.11	-	-	-

Base Model	Related Detector	Control Unit Compatibility Restrictions
B210LP	IDP-FIRE-CO (CO), SK-FIRE-CO (CO)	B2
B501, B200S, B210LP, B224RB, B224BI	IDP-FIRE-CO (CO), SK-FIRE-CO (CO)	B4
IDP-6AB	1151, 1151RIS, 2151, 1251, 2251, 3251, 7251, IDP-PHOTO, IDP-PHOTO-T, IDP-ION, IDP-HEAT, IDP-HEAT-HT, IDP-HEAT-ROR, IDP-ACCLIMATE	B2
SD505-4AB	SD505-AIS, SD505-APS	B2
SD505-6AB	SD505-AIS, SD505-APS	B2
SD505-6RB	SD505-AIS, SD505-APS, SD505-AHS	B2
SD505-6SB	SD505-AIS, SD505-APS, SD505-AHS	B2

B2 - For connection to Listed control units with which compatibility was determined by test or a review of circuit parameters. Interconnection and compatible models indicated on installation wiring diagram for detector (base) and/or control unit.

B4 - For connection to any manufacturer's Listed compatible control unit.

D2 - For connection to Listed control units with which compatibility was determined by test or a review of circuit parameters. Interconnection and compatible models indicated on installation wiring diagram for detector (base) and/or control unit.

D4 - For connection to any manufacturer's Listed compatible control unit.

D6 - When using 2-wire bases Listing limited to specific system control unit. Information on compatible control unit indicated on installation drawing of control unit and/or detector. When using 4 wire bases, no restriction on compatibility.

OAP - Open Area Protection

PB - Projected Beam

P - Photoelectric

IHD - Includes Integral Heat Detector

I - Ionization

D(I) - Duct Detector - Installation Inside Duct

D(ST) - Duct Detector - Sampling Tubes

D - Duct Detector

RF - Includes Integral Radio Frequency Transmitter

Date of Manufacture identifies the manufacturing start date of all product models that will use the specific Time of Manufacture Firmware Version. The date of manufacture is noncoded and in the format YEAR (in 4 digits), MONTH (in letters), DAY (in 2 digits).

Time of Manufacture Firmware Version identifies a numerical and/or alphabetic series designation that is product and date-code specific and will only identify the Firmware Version at the time the product was manufactured. The numeric and/or alphabetic sequence is defined by the manufacturer.

Firmware Version Update is a numerical and/or alphabetic sequential identification that is product and date-code specific and sequentially identifies the Firmware Version Update from the previous version of firmware. The numerical and/or alphabetic sequence is defined by the manufacturer.

(a) - Suitable for use in ambient temperatures of 0-55 C (23-131 F).

(b) - SK-DUCT duct housing can be used with the following compatible detector heads: IDP-PHOTO, IDP-PHOTOR, SK-PHOTO, SK-PHOTOR.

(c) - Suitable for elevated temperatures up to 70 C.

CO - Suitable for use as a carbon monoxide alarm



Trademark and/or Tradename:

[Last Updated](#) on 2017-12-19

[Questions?](#)

[Print this page](#)

[Terms of Use](#)

[Page Top](#)

© 2018 UL LLC

The appearance of a company's name or product in this database does not in itself assure that products so identified have been manufactured under UL's Follow-Up Service. Only those products bearing the UL Mark should be considered to be Certified and covered under UL's Follow-Up Service. Always look for the Mark on the product.

UL permits the reproduction of the material contained in the Online Certification Directory subject to the following conditions: 1. The Guide Information, Assemblies, Constructions, Designs, Systems, and/or Certifications (files) must be presented in their entirety and in a non-misleading manner, without any manipulation of the data (or drawings). 2. The statement "Reprinted from the Online Certifications Directory with permission from UL" must appear adjacent to the extracted material. In addition, the reprinted material must include a copyright notice in the following format: "© 2018 UL LLC".



SK-HEAT, SK-HEAT-HT, and SK-HEAT-ROR

Addressable Thermal Heat and Rate-Of Rise Detectors

The SK-HEAT, SK-HEAT-HT, and SK-HEAT-ROR are plug in thermal detectors, with integral communication, that provide features that surpass conventional detectors. These thermal detectors are for use with the Honeywell Silent Knight series fire alarm control panels (FACPs).

SK-HEAT, SK-HEAT-HT and SK-HEAT-ROR are intelligent sensors that utilize a state-of-the art thermistor sensing circuit for fast response. Sensitivity is continuously monitored and reported to the FACP. Point ID capability allows each detector's address to be set with rotary address switches, providing exact detector locations for selective maintenance when chamber contamination reaches unacceptable levels.

SK-HEAT is a fixed temperature sensor that uses a thermistor sensing circuit to produce 135°F (57°C) fixed temperature alarm. SK-HEAT-HT is a variable high temperature detector that provides high temperature detection at 135°F - 190°F (57°C - 88°C). SK-HEAT-ROR is a rate-of-rise temperature sensor with 135°F (57°C) fixed temperature alarm.



SK-HEAT (BASE INCLUDED)

COMPATIBILITY

SK-HEAT, SK-HEAT-HT, and SK-HEAT-ROR are compatible with the following detector bases:

- B210LP:** 6" base (included)
- B501:** 2 wire base
- B224RB:** Relay base
- B224BI:** Isolator base
- B200SR:** Sounder base

FEATURES & BENEFITS

- Reliable analog communications for trouble-free operation
- Age resistant polymer housing
- Innovative thermistor sensing circuit
- Superior EMI resistance for reliability
- Variety of mounting options to meet any application
- Dual LED indicators for 360° visibility
- Detector transmits signal to indicate maintenance is required
- Plug-in mounting provides ease of installation
- Optional remote LED annunciator (System Sensor® PN RA100Z)
- Tamper-proof feature available on mounting bases
- Rotary address switches for fast installation
- UL Listed

SK-HEAT, SK-HEAT-HT and SK-HEAT-ROR Technical Specifications

PHYSICAL

Height: 2.0" (5.0cm)
Diameter: 6.1" (155mm) installed in B201LP base
Shipping Weight: 4.8oz (137g)

ELECTRICAL

Operating Voltage: 15–32VDC Peak
Standby Current: 300 μ A @ 24VDC
LED Current: 6.5mA @ 24VDC max

ENVIRONMENTAL

Operating Temperature
SK-HEAT & SK-HEAT-ROR: -4° – 100°F (-20°C – 38°C)
SK-HEAT-HT: -4° – 150°F (-20°C – 66°C)
Humidity: 10% – 93% non-condensing

THERMAL RATINGS

SK-HEAT: Fixed temperature alarm
135°F (57°C)
SK-HEAT-HT: High temperature heat sensor 135°F
- 190°F (57°C - 88°C)
SK-HEAT-ROR: Rate-of-rise detection 15°F/min
(8.3°C/min)

ORDERING INFORMATION

SK-HEAT: Fixed thermal detector (135°F)
SK-HEAT-ROR: Fixed rate of rise detector (135°F)
SK-HEAT-HT: Fixed high temperature thermal detector (190°F)

ACCESSORIES

RA100Z: Remote LED annunciator
RMK400: Recesses mounting kit. Provides low profile for use with B501
XR2B: Detector removal tool. A removal and replacement tool for SK series plug-in detectors. Includes the T55-127-000
M02-04-01: Detector test magnet.
M02-09-00: Test magnet with telescoping handle
XP-4: Extension Pole for XR2B. Extends from 5 – 15 ft.
T55-127-000: Detector Removal Head
BCK-200B: Black Detector Kit. For SK series detectors

COMPATIBILITY

The SK-HEAT, SK-HEAT-HT and SK-HEAT-ROR are compatible with the following Honeywell Silent Knight fire alarm control panels:

- 6820:** Addressable fire alarm control panel
- 6820EVS:** Addressable fire alarm control panel with an emergency voice system.
- 6808:** Addressable fire alarm control panel
- 6700:** Addressable fire alarm control panel
- 5700:** Addressable fire alarm control panel
- 5808:** Addressable fire alarm control panel
- 5820XL:** Addressable fire alarm control panel
- 5820XL-EVS:** Addressable fire alarm control panel with an emergency voice system

For a complete listing of all compliance approvals and certifications, please visit www.silentknight.com.

Microsoft, Windows, and the Windows Logo are registered trademarks or trademarks of Microsoft Corporation.

Silent Knight®, System Sensor® and Honeywell® are registered trademarks of Honeywell International, Inc.

This document is not intended to be used for installation purposes. We try to keep our product information up-to date and accurate. We cannot cover all specific applications or anticipate all requirements. All specifications are subject to change without notice.

For Technical Support, call 800-446-6444.

For more information

Learn more about Honeywell Silent Knight and other products by visiting www.silentknight.com

Honeywell Silent Knight

12 Clintonville Road
Northford, CT 06472
800-328-0103

**UQGS.S6228**
Heat-automatic Fire Detectors[Page Bottom](#)**Heat-automatic Fire Detectors**[See General Information for Heat-automatic Fire Detectors](#)**SILENT KNIGHT BY HONEYWELL**

S6228

1985 Douglas Dr

MN10-212A

Golden Valley, MN 55422 USA

Model No.	Type	Compatibility Restrictions	Contact Arrangement	Temp Range (°F)	Spacing (Ft)	
					Smooth Ceiling	to Wall or Partition
IDP-Heat	FT	D1	-	135	50	25
IDP-Heat-HT	FT	D1	-	190	50	25
IDP-HEAT-HT-IV	FT	D1	-	190	50	25
IDP-HEAT-HT-W	FT	D1	-	190	50	25
IDP-HEAT-IV	FT	D1	-	135	50	25
IDP-Heat-ROR	FT/ROR	None	-	135	50	25
IDP-HEAT-ROR-IV	FT/ROR	D1	-	135	50	25
IDP-HEAT-ROR-W	FT/ROR	D1	-	135	50	25
IDP-HEAT-W	FT	D1	-	135	50	25
SD505-AHS	FT	None	-	135-150	70	25
SD505-HEAT	FT/ROR	D2	-	135-194	70	35
SK-HEAT	FT	D1	-	135	50	25
SK-HEAT-HT	FT	D1	-	190	50	25
SK-HEAT-HT-W	FT	D1	-	190	50	25
SK-HEAT-ROR	FT/ROR	None	-	135	50	25
SK-HEAT-ROR-W	FT/ROR	D1	-	135	50	25
SK-HEAT-W	FT	D1	-	135	50	25
WIDP-HEAT	FT	D1	-	135	50	25
WIDP-HEAT-ROR	FT/ROR	D1	-	135	50	25
WSK-HEAT	FT	D1	-	135	50	25
WSK-HEAT-ROR	FT/ROR	D1	-	135	50	25

Base Model	Related Detector	Control Unit Compatibility Restrictions
SD505-6AB	SD505-APS	None

D1 - Listing limited to specific system control unit. Information on compatible control unit indicated on installation drawing of control unit and/or detector.

D2 - For connection to Listed control units with which compatibility was determined by test or a review of circuit parameters. Interconnection and compatible models indicated on installation wiring diagram for detector (base) and/or control unit.

FT - Fixed temperature

FT/ROR - Fixed temperature/rate of rise combination

D2 - For connection to Listed control units with which compatibility was determined by test or a review of circuit parameters. Interconnection and compatible models indicated on installation wiring diagram for detector (base) and/or control unit.



Trademark and/or Tradename:

[Last Updated](#) on 2017-12-19

[Questions?](#)

[Print this page](#)

[Terms of Use](#)

[Page Top](#)

© 2018 UL LLC

The appearance of a company's name or product in this database does not in itself assure that products so identified have been manufactured under UL's Follow-Up Service. Only those products bearing the UL Mark should be considered to be Certified and covered under UL's Follow-Up Service. Always look for the Mark on the product.

UL permits the reproduction of the material contained in the Online Certification Directory subject to the following conditions: 1. The Guide Information, Assemblies, Constructions, Designs, Systems, and/or Certifications (files) must be presented in their entirety and in a non-misleading manner, without any manipulation of the data (or drawings). 2. The statement "Reprinted from the Online Certifications Directory with permission from UL" must appear adjacent to the extracted material. In addition, the reprinted material must include a copyright notice in the following format: "© 2018 UL LLC".

Honeywell



SK-PULL-SA / SK-PULL-DA

Intelligent Pull Stations

The SK-PULL-SA is a single action pull station requiring only one motion to activate the station. The SK-PULL-DA is a dual action pull station requiring two motions to activate the station. The SK-PULL-SA and SK-PULL-DA are for use with Honeywell Silent Knight Series fire control panel (FACP).

Extremely easy to operate, the SK-PULL-DA and SK-PULL-SA provide a fast and practical means of manually initiating a fire alarm signal. The FACP recognizes each manual pull station by its specific address saving precious seconds in determining the location of an alarm.

INSTALLATION

The SK-PULL-SA and SK-PULL-DA can be surface mounted to an SB-I/O surface back box or semi-flush mounted on a standard single-gang with a minimum depth of 2.13”(5.40 cm) or double gang or 4” (10.61 cm) square electrical box. You can also use the optional (System Sensor® PN BG-TR) trim ring if the station is being semi-flush mounted.



SK-PULL-SA



SK-PULL-DA

FEATURES & BENEFITS

- Installer can open station without causing an alarm condition
- Dual-color LED is visible through handle of station blinks green to indicate normal operation and remains steady red in an alarm condition
- Key operated test and reset lock using lock plate actuator
- Key matches compatible FACP locks
- Meets ADA requirement for 5 lbs maximum pull force to activate
- Meets the Americans with Disabilities Act Accessibility Guidelines (ADAAG) controls and operating mechanisms guidelines (Section 4.1.3[13])
- Shell, door, and handle molded from durable LEXAN®
- Reliable analog communications for trouble-free operation
- Braille text on station handle
- Rotary address switches for fast installation
- Handle latches in down position and the word Activated appears, clearly indicating the station has been pulled
- UL Listed, including UL 38, Standard of Manually Actuated Signaling System
- CSFM Listed
- MEA Listed

SK-PULL-SA / SK-PULL-DA Technical Specifications

PHYSICAL

Dimensions: 5.5" H x 4" W x 1.45" D (14 x 10.2 x 3.7cm)

Housing Material: LEXAN polycarbonate resin

Bi-Colored LED:

Blinking Green: Normal

Steady Red: Alarm

Switch: Single pole, single throw (SPST) normally open (N/O) switch which closes upon activation of the pull station

ELECTRICAL

Operating Voltage: 15 – 32VDC

SLC Standby and Alarm Current: 350 μ A

Wire Gauge: Up to 12AWG (3.1 mm²)

ENVIRONMENTAL

Operating Temperature: 32°F – 120°F (0°C – 49°C)

Humidity: 10% – 93% non-condensing

ORDERING INFORMATION

SK-Pull-SA: Single Action Pull Station

SK-Pull-DA: Dual Action Pull Station

ACCESSORIES

BG-TR: Optional trim ring.

SB-I/O: Surface backbox, indoor/outdoor.

* Unless otherwise noted, specifications apply to SK-Pull-SA and SK-Pull-DA

COMPATIBILITY

The SK-PULL-SA AND SK-PULL-DA are compatible with the following Honeywell Silent Knight fire alarm control panels:

6820: Addressable fire alarm control panel

6820EVS: Addressable fire alarm control panel with an emergency voice system.

6808: Addressable fire alarm control panel

6700: Addressable fire alarm control panel

5700: Addressable fire alarm control panel

5808: Addressable fire alarm control panel

5820XL: Addressable fire alarm control panel

5820XL-EVS: Addressable fire alarm control panel with an emergency voice system

For a complete listing of all compliance approvals and certifications, please visit www.silentknight.com.

Microsoft, Windows, and the Windows Logo are registered trademarks or trademarks of Microsoft Corporation.

Silent Knight®, System Sensor® and Honeywell® are registered trademarks of Honeywell International, Inc.

This document is not intended to be used for installation purposes. We try to keep our product information up-to date and accurate. We cannot cover all specific applications or anticipate all requirements. All specifications are subject to change without notice.

For Technical Support, call 800-446-6444.

For more information

Learn more about Honeywell Silent Knight and other products by visiting www.silentknight.com

Honeywell Silent Knight

12 Clintonville Road
Northford, CT 06472
800-328-0103

**UNIU.S6012
Boxes, Noncoded**[Page Bottom](#)**Boxes, Noncoded**[See General Information for Boxes, Noncoded](#)**SILENT KNIGHT BY HONEYWELL**

S6012

1985 Douglas Dr
MN10-212A
Golden Valley, MN 55422 USA

Models IDP-PULL-SA, IDP-PULL-DA, SK-PULL-SA, SK-PULL-DA, PS-DA, PS-DASP, PS-SA.

Models PS-DAH, PS-DALOB.

Boxes, non-coded, Models SD500-PS, SD500-PSDA.

Models PS-SATK, PS-SAWH, PS-DATK, PS-SATH PS-DATH.

Fire alarm pull boxes, Models PS-BB, PS-WPB.

Accessory, Model SD500-LK.

Boxes, non-coded , Models WSK-PULL-DA, WIDP-PULL-DA.

[Last Updated](#) on 2017-12-22[Questions?](#)[Print this page](#)[Terms of Use](#)[Page Top](#)

© 2018 UL LLC

The appearance of a company's name or product in this database does not in itself assure that products so identified have been manufactured under UL's Follow-Up Service. Only those products bearing the UL Mark should be considered to be Certified and covered under UL's Follow-Up Service. Always look for the Mark on the product.

UL permits the reproduction of the material contained in the Online Certification Directory subject to the following conditions: 1. The Guide Information, Assemblies, Constructions, Designs, Systems, and/or Certifications (files) must be presented in their entirety and in a non-misleading manner, without any manipulation of the data (or drawings). 2. The statement "Reprinted from the Online Certifications Directory with permission from UL" must appear adjacent to the extracted material. In addition, the reprinted material must include a copyright notice in the following format: "© 2018 UL LLC".



SK-RELAY

Intelligent Relay Module

The SK-RELAY is an addressable relay module for use with Honeywell Silent Knight Series fire alarm control panels (FACPs). The SK-RELAY allows a Silent Knight FACP to switch discrete contacts by code command. The relay contains two isolated sets of Form C contacts, which operate as a DPDT switch. No supervision is provided for the notification appliance circuit.

The SK-RELAY contacts can be used for virtually any normally open or normally closed application. Each SK-RELAY is programmed with a unique signaling line circuit (SLC) loop address. When an event occurs that controls the SK-RELAY, the relay is triggered by the FACP.

INSTALLATION

The SK-RELAY mounts directly into a 4" square electrical box. The box must have a minimum depth of 2-1/8". A surface mount electrical box (System Sensor® PN SMB500) is available from Silent Knight.



SK-RELAY

FEATURES & BENEFITS

- Two sets of Form C contacts
- Rotary address switches for fast installation
- Contacts are rated for a variety of amps (see Specifications)
- Panel controlled status LED that flashes green in normal state and is solid red in alarm
- Relay programming is completely flexible—can be mapped to zone conditions
- Polling LED visible through the cover plate
- SEMS screws for easy wiring
- UL Listed

SK-RELAY Technical Specifications

PHYSICAL

4.675" H x 4.275" W x 1.4" D

Shipping Weight: 6.3 oz (196 g)

ELECTRICAL

Operating Voltage: 15 – 32 VDC

End-of-Line Resistance: Not used

SLC Standby & Alarm Current: .255mA max @ 24VDC (one communication every 5 sec with LED enabled)

ENVIRONMENTAL

Operating Temperature: 32°F – 120°F (0°C – 49°C)

Humidity: 10% – 93% non-condensing

RELAY CONTACT RATINGS

3.0A @ 30VDC resistive

0.9A @ 110VDC resistive

0.9A @ 125VAC resistive

0.5A @ 125VAC inductive (PF = .35)

0.7A @ 75VAC inductive (PF = .35)

ORDERING INFORMATION

SK-RELAY: Relay Module

ACCESSORIES

SMB500: 4" Square Surface Mount Electrical Box

CB500 :Module Barrier

COMPATIBILITY

The SK-RELAY is compatible with the following Honeywell Silent Knight fire alarm control panels:

6820: Addressable fire alarm control panel

6820EVS: Addressable fire alarm control panel with an emergency mass notification system.

6808: Addressable fire alarm control panel

6700: Addressable fire alarm control panel

5700: Addressable fire alarm control panel

5808: Addressable fire alarm control panel

5820XL: Addressable fire alarm control panel

5820XL-EVS: Addressable fire alarm control panel with an emergency mass notification system.

For a complete listing of all compliance approvals and certifications, please visit www.silentknight.com.

Microsoft, Windows, and the Windows Logo are registered trademarks or trademarks of Microsoft Corporation.

Silent Knight®, System Sensor® and Honeywell® are registered trademarks of Honeywell International, Inc.

This document is not intended to be used for installation purposes. We try to keep our product information up-to date and accurate. We cannot cover all specific applications or anticipate all requirements. All specifications are subject to change without notice.

For Technical Support, call 800-446-6444.

For more information

Learn more about Honeywell Silent Knight and other products by visiting www.silentknight.com

Honeywell Silent Knight

12 Clintonville Road
Northford, CT 06472
800-328-0103

**PGWM.S3511
Control and Communication Equipment**[Page Bottom](#)**Control and Communication Equipment**[See General Information for Control and Communication Equipment](#)**SILENT KNIGHT BY HONEYWELL**

S3511

1985 Douglas Dr
MN10-212A
Golden Valley, MN 55422 USA

Amplifier, Model(s) ECS-BD50-25V (d), ECS-BD50-70V (d), ECS-Dual50W (d)(g), ECS-Dual50WHV (d)(g), EVS-100W (d)(g)

Amplifier - Subassembly, Model(s) ECS-50WBU(d)(g), EVS-100WBU (d)(g)

Cellular Transmitter, Model(s) Cell-Mod, Cell-Cab-SK (e)

Circuit Expander, Model(s) ECS-550CE6 (d)

Control module, Model(s) SK-CONTROL

Control Modules, Model(s) IDP-Control, SK-CONTROL

dual monitor module, Model(s) IDP-Monitor 2, SK-MONITOR-2

Emergency Command Center - ACU, Model(s) ECS-550 (d), ECS-550HV (d)

Fiber to SBUS Converter, Model(s) SK-F485C(b) (g)

Indicating Circuit Expander, Model(s) 5495, 5499 (d)(g)

Input Monitor Modules, Model(s) IDP-Monitor-10, SK-MON-10

Input/Output Relay Module, Model(s) IDP-RELAYMON-2, SK-RELAYMON-2

Intelligent power module, Model(s) 5496(d) (g)

Local Operator Console, Model(s) ECS-550LOC (d), ECS-RCU2000 (d)(g)

Monitor Modules, Model(s) IDP-Minimon, IDP-Monitor, SK-MINIMON, SK-MONITOR

Power expander/supply, Model(s) RPS-1000(a)(g), RPS-1000B(a)(g), RPS-1000HV(a)(g)

Relay Modules, Model(s) IDP-Relay, IDP-Relay-6, SK-RELAY, SK-RELAY-6

Remote annunciator, Model(s) 5865-3(f) (g), 5865-4(f) (g), RA-1000(f) (g), 5880(c) (g)

Remote annunciator, Model(s) 6855 (e), 6860 (e), RA-100(e) (g)

Serial/Parallel interface, Model(s) 5824(c) (g)

Subassembly, Model(s) Enclosure 122599 (d) (g), Main Board 054960 (d) (g)

Subassembly, Model(s) Main Board RA-100BD(d) (g), Enclosure 122727(d) (g)

Supervising Control Modules, Model(s) IDP-Control-6, SK-CONTROL-6

(a) - Complementary Listed under SYSW and UOXX

(c) - Complementary Listed under FSYE, QVAX, SYSW, UOXX and UOXXC

(d) - Complementary Listed under UOXX

(e) - Complementary Listed under FSYE and UOXX

(f) - Complementary Listed under FSYE, QVAX, SYSW and UOXX

(g) - Investigated to ANSI/UL 2572, " Mass Notification Systems"

[Last Updated](#) on 2017-09-20

[Questions?](#)

[Print this page](#)

[Terms of Use](#)

[Page Top](#)

© 2018 UL LLC

The appearance of a company's name or product in this database does not in itself assure that products so identified have been manufactured under UL's Follow-Up Service. Only those products bearing the UL Mark should be considered to be Certified and covered under UL's Follow-Up Service. Always look for the Mark on the product.

UL permits the reproduction of the material contained in the Online Certification Directory subject to the following conditions: 1. The Guide Information, Assemblies, Constructions, Designs, Systems, and/or Certifications (files) must be presented in their entirety and in a non-misleading manner, without any manipulation of the data (or drawings). 2. The statement "Reprinted from the Online Certifications Directory with permission from UL" must appear adjacent to the extracted material. In addition, the reprinted material must include a copyright notice in the following format: "© 2018 UL LLC".



SK-MONITOR

Intelligent Monitor Module

The SK-MONITOR is an addressable monitor module for use with Honeywell Silent Knight Series fire alarm control panels (FACPs). The SK-MONITOR is intended for use in intelligent, two-wire systems, where individual address of each module is selected using the built-in rotary switches.

The SK-MONITOR supports Class A supervised or Class B supervised wiring to the load device. Conventional 4-wire smoke detectors can be monitored for alarm and trouble conditions.

INSTALLATION

The SK-MONITOR mounts directly into a 4" square electrical box. The box must have a minimum depth of 2-1/8". A surface mount electrical box (System Sensor® PN SMB500) is available from Silent Knight.



SK-MONITOR

FEATURES & BENEFITS

- Single contact monitor
- Support for Class A and Class B wiring
- Fully supervised
- Panel controlled status LED that flashes green in normal state and is solid red in alarm
- SEMS screws for easy wiring
- UL Listed
- Rotary address switches for fast installation

SK-MONITOR Technical Specifications

PHYSICAL

Height: 4.5"H x 4" W x 1.25"D (11.4 X 10.2 X 3cm)

Shipping Weight: 6.3 oz (196 g)

ELECTRICAL

Operating Voltage: 15 – 32VDC

Current Draw (LED on): 5.0mA max

Operating Current (LED flashing): 375 μ A

Standby Current: 400 μ A max @ 24 VDC (one communication every 5 sec with 47K EOL); 550 μ A max @ 24 VDC (one communication every 5 sec with EOL <1K)

5.5 mA (with LED latched on)

LED Current: 5.5 mA (with LED latched on)

End-of-Line Resistance: 47K Ω

Initiating Device Circuit Wiring Resistance: 1,500 Ω max

SLC Loop Resistance: 40 Ω max.

ENVIRONMENTAL

Operating Temperature: 32°F – 120°F (0°C – 49°C)

Humidity: 10% – 93% non-condensing

ORDERING INFORMATION

SK-MONITOR: Monitor Module

ACCESSORIES

SMB500: 4" Square surface mount electrical box

COMPATIBILITY

The SK-MONITOR is compatible with the following Honeywell Silent Knight fire alarm control panels:

6820: Addressable fire alarm control panel

6820EVS: Addressable fire alarm control panel with an emergency mass notification system.

6808: Addressable fire alarm control panel

6700: Addressable fire alarm control panel

5700: Addressable fire alarm control panel

5808: Addressable fire alarm control panel

5820XL: Addressable fire alarm control panel

5820XL-EVS: Addressable fire alarm control panel with an emergency mass notification system

For a complete listing of all compliance approvals and certifications, please visit www.silentknight.com.

Microsoft, Windows, and the Windows Logo are registered trademarks or trademarks of Microsoft Corporation.

Silent Knight®, System Sensor® and Honeywell® are registered trademarks of Honeywell International, Inc.

This document is not intended to be used for installation purposes. We try to keep our product information up-to date and accurate. We cannot cover all specific applications or anticipate all requirements. All specifications are subject to change without notice.

For Technical Support, call 800-446-6444.

For more information

Learn more about Honeywell Silent Knight and other products by visiting www.silentknight.com

Honeywell Silent Knight

12 Clintonville Road
Northford, CT 06472
800-328-0103

**PGWM.S3511
Control and Communication Equipment**[Page Bottom](#)**Control and Communication Equipment**[See General Information for Control and Communication Equipment](#)**SILENT KNIGHT BY HONEYWELL**

S3511

1985 Douglas Dr
MN10-212A
Golden Valley, MN 55422 USA

Amplifier, Model(s) ECS-BD50-25V (d), ECS-BD50-70V (d), ECS-Dual50W (d)(g), ECS-Dual50WHV (d)(g), EVS-100W (d)(g)

Amplifier - Subassembly, Model(s) ECS-50WBU(d)(g), EVS-100WBU (d)(g)

Cellular Transmitter, Model(s) Cell-Mod, Cell-Cab-SK (e)

Circuit Expander, Model(s) ECS-550CE6 (d)

Control module, Model(s) SK-CONTROL

Control Modules, Model(s) IDP-Control, SK-CONTROL

dual monitor module, Model(s) IDP-Monitor 2, SK-MONITOR-2

Emergency Command Center - ACU, Model(s) ECS-550 (d), ECS-550HV (d)

Fiber to SBUS Converter, Model(s) SK-F485C(b) (g)

Indicating Circuit Expander, Model(s) 5495, 5499 (d)(g)

Input Monitor Modules, Model(s) IDP-Monitor-10, SK-MON-10

Input/Output Relay Module, Model(s) IDP-RELAYMON-2, SK-RELAYMON-2

Intelligent power module, Model(s) 5496(d) (g)

Local Operator Console, Model(s) ECS-550LOC (d), ECS-RCU2000 (d)(g)

Monitor Modules, Model(s) IDP-Minimon, IDP-Monitor, SK-MINIMON, SK-MONITOR

Power expander/supply, Model(s) RPS-1000(a)(g), RPS-1000B(a)(g), RPS-1000HV(a)(g)

Relay Modules, Model(s) IDP-Relay, IDP-Relay-6, SK-RELAY, SK-RELAY-6

Remote annunciator, Model(s) 5865-3(f) (g), 5865-4(f) (g), RA-1000(f) (g), 5880(c) (g)

Remote annunciator, Model(s) 6855 (e), 6860 (e), RA-100(e) (g)

Serial/Parallel interface, Model(s) 5824(c) (g)

Subassembly, Model(s) Enclosure 122599 (d) (g), Main Board 054960 (d) (g)

Subassembly, Model(s) Main Board RA-100BD(d) (g), Enclosure 122727(d) (g)

Supervising Control Modules, Model(s) IDP-Control-6, SK-CONTROL-6

(a) - Complementary Listed under SYSW and UOXX

(c) - Complementary Listed under FSYE, QVAX, SYSW, UOXX and UOXXC

(d) - Complementary Listed under UOXX

(e) - Complementary Listed under FSYE and UOXX

(f) - Complementary Listed under FSYE, QVAX, SYSW and UOXX

(g) - Investigated to ANSI/UL 2572, " Mass Notification Systems"

[Last Updated](#) on 2017-09-20

[Questions?](#)

[Print this page](#)

[Terms of Use](#)

[Page Top](#)

© 2018 UL LLC

The appearance of a company's name or product in this database does not in itself assure that products so identified have been manufactured under UL's Follow-Up Service. Only those products bearing the UL Mark should be considered to be Certified and covered under UL's Follow-Up Service. Always look for the Mark on the product.

UL permits the reproduction of the material contained in the Online Certification Directory subject to the following conditions: 1. The Guide Information, Assemblies, Constructions, Designs, Systems, and/or Certifications (files) must be presented in their entirety and in a non-misleading manner, without any manipulation of the data (or drawings). 2. The statement "Reprinted from the Online Certifications Directory with permission from UL" must appear adjacent to the extracted material. In addition, the reprinted material must include a copyright notice in the following format: "© 2018 UL LLC".



**SYSTEM
SENSOR®**

Indoor Selectable-Output Strobes and Horn Strobes for Ceiling Applications

SpectrAlert® Advance audible visible notification products are rich with features guaranteed to cut installation times and maximize profits.



SPECTRAlert
ADVANCE
from System Sensor

Features

- Plug-in design with minimal intrusion into the back box
- Tamper-resistant construction
- Automatic selection of 12- or 24-volt operation at 15 and 15/75 candela
- Field-selectable candela settings on ceiling units: 15, 15/75, 30, 75, 95, 110, 115, 135, 150, 177, and 185
- Horn rated at 88+ dBA at 16 volts
- Rotary switch for horn tone and three volume selections
- Universal mounting plate for ceiling units
- Mounting plate shorting spring checks wiring continuity before device installation
- Electrically Compatible with legacy SpectrAlert devices
- Compatible with MDL sync module
- Listed for ceiling or wall mounting

The SpectrAlert Advance series offers the most versatile and easy-to-use line of horns, strobes, and horn strobes in the industry. With white and red plastic housings, wall and ceiling mounting options, and plain and FIRE-printed devices, SpectrAlert Advance can meet virtually any application requirement.

Like the entire SpectrAlert Advance product line, ceiling-mount strobes and horn strobes include a variety of features that increase their application versatility while simplifying installation. All devices feature plug-in designs with minimal intrusion into the back box, making installations fast and foolproof while virtually eliminating costly and time-consuming ground faults.

To further simplify installation and protect devices from construction damage, SpectrAlert Advance utilizes a universal mounting plate with an onboard shorting spring, so installers can test wiring continuity before the device is installed.

Installers can also easily adapt devices to suit a wide range of application requirements using field-selectable candela settings, automatic selection of 12- or 24-volt operation, and a rotary switch for horn tones with three volume selections.

Agency Listings



S4011 (chimes, horn strobes, horns)
S5512 (strobes)



3023572



MEA452-05-E



7125-1653-186 (indoor strobes)
7125-1653-188 (horn strobes,
chime strobes)
7135-1653-189 (horns, chimes)

SpectrAlert Advance Specifications

Architect/Engineer Specifications

General

SpectrAlert Advance strobes and horn strobes shall mount to a standard 4 × 4 × 1½-inch back box, 4-inch octagon back box, or double-gang back box. Two-wire products shall also mount to a single-gang 2 × 4 × 17/8-inch back box. A universal mounting plate shall be used for mounting ceiling and wall products. The notification appliance circuit wiring shall terminate at the universal mounting plate. Also, SpectrAlert Advance products, when used with the Sync•Circuit™ Module accessory, shall be powered from a non-coded notification appliance circuit output and shall operate on a nominal 12 or 24 volts. When used with the Sync•Circuit Module, 12-volt-rated notification appliance circuit outputs shall operate between 9 and 17.5 volts; 24-volt-rated notification appliance circuit outputs shall operate between 17 and 33 volts. Indoor SpectrAlert Advance products shall operate between 32 and 120 degrees Fahrenheit from a regulated DC or full-wave rectified unfiltered power supply. Strobes and horn strobes shall have field-selectable candela settings including 15, 15/75, 30, 75, 95, 110, 115, 135, 150, 177, and 185.

Strobe

The strobe shall be a System Sensor SpectrAlert Advance Model _____ listed to UL 1971 and shall be approved for fire protective service. The strobe shall be wired as a primary-signaling notification appliance and comply with the Americans with Disabilities Act requirements for visible signaling appliances, flashing at 1 Hz over the strobe's entire operating voltage range. The strobe light shall consist of a xenon flash tube and associated lens/reflector system.

Horn Strobe Combination

The horn strobe shall be a System Sensor SpectrAlert Advance Model _____ listed to UL 1971 and UL 464 and shall be approved for fire protective service. The horn strobe shall be wired as a primary-signaling notification appliance and comply with the Americans with Disabilities Act requirements for visible signaling appliances, flashing at 1 Hz over the strobe's entire operating voltage range. The strobe light shall consist of a xenon flash tube and associated lens/reflector system. The horn shall have three audibility options and an option to switch between a temporal three pattern and a non-temporal (continuous) pattern. These options are set by a multiple position switch. On four-wire products, the strobe shall be powered independently of the sounder. The horn on horn strobe models shall operate on a coded or non-coded power supply.

Synchronization Module

The module shall be a System Sensor Sync•Circuit model MDL listed to UL 464 and shall be approved for fire protective service. The module shall synchronize SpectrAlert strobes at 1 Hz and horns at temporal three. Also, while operating the strobes, the module shall silence the horns on horn strobe models over a single pair of wires. The module shall mount to a 411/16 × 411/16 × 21/8-inch back box. The module shall also control two Style Y (class B) circuits or one Style Z (class A) circuit. The module shall synchronize multiple zones. Daisy chaining two or more synchronization modules together will synchronize all the zones they control. The module shall not operate on a coded power supply.

Physical/Electrical Specifications

Standard Operating Temperature	32°F to 120°F (0°C to 49°C)
Humidity Range	10 to 93% non-condensing
Strobe Flash Rate	1 flash per second
Nominal Voltage	Regulated 12 DC/FWR or regulated 24 DC/FWR ¹
Operating Voltage Range²	8 to 17.5 V (12 V nominal) or 16 to 33 V (24 V nominal)
Input Terminal Wire Gauge	12 to 18 AWG
Ceiling-Mount Dimensions (including lens)	6.8" diameter × 2.5" high (173 mm diameter × 64 mm high)
Ceiling-Mount Back Box Skirt Dimensions (BBSC-2, BBSCW-2)	7.1" diameter × 2.2" high (180 mm diameter × 57 mm high)
Ceiling-Mount Trim Ring Dimensions (sold as a 5 pack) (TRC-HS, TRCW-HS)	6.9" diameter × 0.35" high (175 mm diameter × 9 mm high)

Notes:

1. Full Wave Rectified (FWR) voltage is a non-regulated, time-varying power source that is used on some power supply and panel outputs.
2. P, S, PC, and SC products will operate at 12 V nominal only for 15 and 15/75 cd.

UL Current Draw Data

UL Max. Strobe Current Draw (mA RMS)					
	Candela	8–17.5 Volts		16–33 Volts	
		DC	FWR	DC	FWR
Standard Candela Range	15	123	128	66	71
	15/75	142	148	77	81
	30	NA	NA	94	96
	75	NA	NA	158	153
	95	NA	NA	181	176
	110	NA	NA	202	195
	115	NA	NA	210	205
High Candela Range	135	NA	NA	228	207
	150	NA	NA	246	220
	177	NA	NA	281	251
	185	NA	NA	286	258

UL Max. Current Draw (mA RMS), 2-Wire Horn Strobe, Standard Candela Range (15–115 cd)									
DC Input	8–17.5 Volts		16–33 Volts		30	75	95	110	115
	15	15/75	15	15/75					
Temporal High	137	147	79	90	107	176	194	212	218
Temporal Medium	132	144	69	80	97	157	182	201	210
Temporal Low	132	143	66	77	93	154	179	198	207
Non-Temporal High	141	152	91	100	116	176	201	221	229
Non-Temporal Medium	133	145	75	85	102	163	187	207	216
Non-Temporal Low	131	144	68	79	96	156	182	201	210
FWR Input									
Temporal High	136	155	88	97	112	168	190	210	218
Temporal Medium	129	152	78	88	103	160	184	202	206
Temporal Low	129	151	76	86	101	160	184	194	201
Non-Temporal High	142	161	103	112	126	181	203	221	229
Non-Temporal Medium	134	155	85	95	110	166	189	208	216
Non-Temporal Low	132	154	80	90	105	161	184	202	211

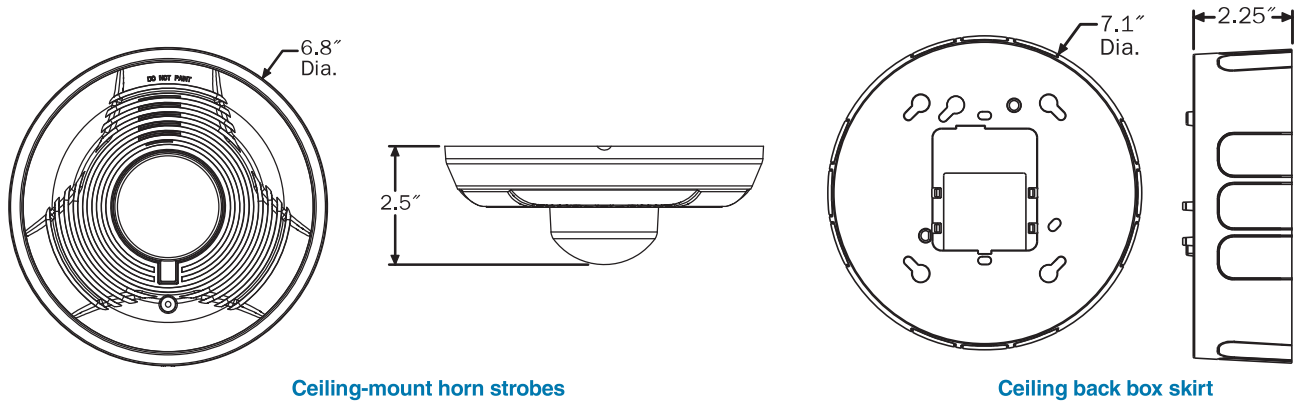
UL Max. Current Draw (mA RMS), 2-Wire Horn Strobe, High Candela Range (135–185 cd)									
DC Input	16–33 Volts				FWR Input	16–33 Volts			
	135	150	177	185		135	150	177	185
Temporal High	245	259	290	297	Temporal High	215	231	258	265
Temporal Medium	235	253	288	297	Temporal Medium	209	224	250	258
Temporal Low	232	251	282	292	Temporal Low	207	221	248	256
Non-Temporal High	255	270	303	309	Non-Temporal High	233	248	275	281
Non-Temporal Medium	242	259	293	299	Non-Temporal Medium	219	232	262	267
Non-Temporal Low	238	254	291	295	Non-Temporal Low	214	229	256	262

Horn Strobe Tones and Sound Output Data

Horn Strobe Output (dBA)										
Switch Position	Sound Pattern	dB	8–17.5 Volts		16–33 Volts		24-Volt Nominal			
			DC	FWR	DC	FWR	Reverberant		Anechoic	
							DC	FWR	DC	FWR
1	Temporal	High	78	78	84	84	88	88	99	98
2	Temporal	Medium	74	74	80	80	86	86	96	96
3	Temporal	Low	71	73	76	76	83	80	94	89
4	Non-Temporal	High	82	82	88	88	93	92	100	100
5	Non-Temporal	Medium	78	78	85	85	90	90	98	98
6	Non-Temporal	Low	75	75	81	81	88	84	96	92
7†	Coded	High	82	82	88	88	93	92	101	101
8†	Coded	Medium	78	78	85	85	90	90	97	98
9†	Coded	Low	75	75	81	81	88	85	96	92

†Settings 7, 8, and 9 are not available on 2-wire horn strobes.

SpectrAlert Advance Dimensions



Ceiling-mount horn strobes

Ceiling back box skirt

SpectrAlert Advance Ordering Information

Model	Description
Ceiling Horn Strobes	
PC2R*	2-Wire Horn Strobe, Standard cd, Red
PC2RH	2-Wire Horn Strobe, High cd, Red
PC2W*†	2-Wire Horn Strobe, Standard cd, White
PC2WH*	2-Wire Horn Strobe, High cd, White
PC4R	4-Wire Horn Strobe, Standard cd, Red
PC4RH	4-Wire Horn Strobe, High cd, Red
PC4W	4-Wire Horn Strobe, Standard cd, White

Model	Description
Ceiling Strobes	
SCR	Strobe, Standard cd, Red
SCRH	Strobe, High cd, Red
SCW*	Strobe, Standard cd, White
SCWH	Strobe, High cd, White
Accessories	
BBSC-2	Back Box Skirt, Ceiling, Red
	Back Box Skirt, Ceiling, White
TRC-HS	Trim Ring, Ceiling, Red
TRCW-	Trim Ring, Ceiling, White
HS	

Notes:

* Add "-P" to model number for plain housing (no "FIRE" marking on cover), e.g., P2R-P.

† Add "-SP" to model number for "FUEGO" marking on cover, e.g., P2R-SP.

‡ "Standard cd" refers to strobes that include 15, 15/75, 30, 75, 95, 110, and 115 candela settings. "High cd" refers to strobes that include 135, 150, 177, and 185 candela settings.



3825 Ohio Avenue • St. Charles, IL 60174
Phone: 800-SENSOR2 • Fax: 630-377-6495

©2012 System Sensor.
Product specifications subject to change without notice. Visit systemsensor.com
for current product information, including the latest version of this data sheet.
AVDS00501 • 3/12

**ULSZ.S4011
Audible-signal Appliances**[Page Bottom](#)**Audible-signal Appliances**[See General Information for Audible-signal Appliances](#)**SYSTEM SENSOR UNINCORPORATED, DIV OF HONEYWELL INTERNATIONAL INC**

S4011

3825 Ohio Ave
Saint Charles, IL 60174-5467 USA

Bells, vibrating, Models SSM24-6, SSM24-8, SSM24-10, SSV120-6, SSV120-8, SSV120-10 for outdoor use when used with NEMA 3R weather resistant back box, Model WBB.

Chimes, Model CH12/24 for indoor use private mode only; Model WBB for outdoor use.

Models CHR, CHW, CHRA, CHWA. For indoor use, private mode use only.

Chimes/strobes, Models CH24MC, CH24MCW. For wall mount, indoor use.

Models CHSR, CHSW. For indoor use only, private mode use only.

Horns, Model PA400W with or without suffix -F. For indoor use only.

Models HR, HW. Intended for indoor use mounted on the wall or ceiling.

Models MHR, MHW. For indoor use only.

Tones 1, 2, 3 and 4 are Public Mode at 24V DC/FWR.

Tone 3 is Public Mode at 12V DC.

Tones 1, 2 and 4 are Private Mode at 12V DC.

Tones 1, 2, 3 and 4 are Private Mode at 12V FWR.

Model APA151. For indoor use only. Public mode.

Mini-Horn, Model MHR1, Input: 8 - 33 Vdc, 8 - 33 Vfwr; for indoor use only.

Sounder/strobes, Model P2475RL . May employ "W" or "Z" suffix. For indoor wall mount only.

Model P12015K for indoor or outdoor use.

Directional sounders, Model PF24V for supplemental fire alarm use. Indoor use only.

520 Hz Low frequency sounders, Models HR-LF, HW-LF. Intended for indoor use only and may be mounted on the wall or the ceiling.

520 Hz Low frequency sounders/strobes, Models P2RH-LF, P2WH-LF. Intended for indoor use only and may be mounted on the wall or the ceiling.

SPECTRALERT ADVANCE SERIES HORNS, CHIMES AND COMBOS

General - Models with "K" in the suffix are suitable for indoor or outdoor use with an operating temperature rating of -40°C to +66°C (-40°F to +151°F) and have a NEMA Type 3, 3R and 4X enclosure ratings only when used with the Listed Plastic models SA-WBB and SA-WBBW (wall) or the Plastic models SA-WBBC and SA-WBBCW (ceiling) weatherproof back boxes. Models with "-P" in the suffix have plain housings with no lettering on the enclosure. Models not containing either "-P", in the suffix have English lettering reading "FIRE" on the housing. Models with the "-SP" suffix have Spanish lettering reading "FUEGO" on the housing. Models with the "-PG" suffix have Portuguese lettering reading "FOGO" on the housing.

Horns - Models HR, HW. Intended for indoor use mounted on the wall or ceiling.

Horns - Model HRK. Intended for indoor or outdoor use mounted on the wall or ceiling.

Chimes - Models CHR, CHW are intended for private mode only. Intended for indoor use mounted on the wall or ceiling.

Chime/Strobes - Models CHSR, CHSW are intended for private mode only. Intended for indoor use mounted on the wall or ceiling.

Horn/Strobes - Two-wire type, rectangular enclosure, Models P2R, P2W, P2RH, P2WH. Intended for indoor use mounted on the wall or ceiling.

Horn/Strobes - Two-wire type, rectangular enclosure, Models P2RK, P2WK, P2RHK, P2WHK, P2RK-P, P2RHK-P, P2WK-P, P2WHK-P. Intended for indoor use mounted on the wall or ceiling.

Horn/Strobes - Two-wire type, round enclosure, Models PC2R, **PC2W**, PC2RH, PC2WH. Intended for indoor use mounted on the wall or ceiling.

Horn/Strobes - Two-wire type, round enclosure, Models PC2RK, PC2WK, PC2RHK, PC2WHK. Intended for indoor use mounted on the wall or ceiling.

Horn/Strobes - Four-wire type, rectangular enclosure, Models P4R, P4W, P4RH, P4WH. Intended for indoor use mounted on the wall or ceiling.

Horn/Strobes - Four-wire type, round enclosure, Models PC4R, PC4W, PC4RH, PC4WH. Intended for indoor use mounted on the wall or ceiling.

GLOBAL AV COMBO PRODUCT SERIES HORNS, STROBES AND COMBOS:

General - Models for indoor wall and ceiling mount only and for use with an operating temperature of 0°C to +49°C (32°F to +120°F). Models with "R" in the suffix implement a red strobe lens.

Horn/Strobes - Two-wire type, rectangular enclosure, Models SYS-HS, SYS-HSR, SYS-HSR-FIRE, SYS-HSW, SYS-HSRW, SYS-HSRW-FIRE. Intended for indoor use mounted on the wall or ceiling.

Accessories:

Back box, Model WBBF for indoor/outdoor use.

Models SA-WBB, SA-WBBC (Back boxes for Spectralert Advance Series) for indoor/outdoor use.

Weatherproof plates, Models WTP, WTPW, WTP-SP, WTP-SPW, with a NEMA Type 3R and IP22 enclosure ratings. May be used in place of the listed weatherproof back boxes as follows:

Models WTP (Red), WTPW (White) Weatherproof Plates used with horn and horn/strobes models with "K" suffix, suitable for indoor or outdoor flush mount usage, wall or ceiling, with an extended operating temperature range of -40 degrees F to 151 degrees F (-40 degrees C to 66 degrees C). They can be mounted to 2 inch by 4 inch or 4 inch by 4 inch back boxes, with a 1-1/2 inch minimum depth.

Models WTP-SP (Red), WTP-SPW (White) Weatherproof Plates used with speakers and speaker/strobes models with "K" suffix, suitable for indoor or outdoor use flush mount usage, wall or ceiling, with an operating temperature rating of -40 degrees F to 151 degrees F (-40 degrees C to 66 degrees C). They can only be mounted to a 4 inch by 4 inch by 2-1/8 inch back box.

Sync modules, Models MDL3R, MDL3W, MDL, MDLW.

Models MDL3R, MDL3W are also Listed under Audible-signal Appliances (ULSZ).

120 VAC adapter mounting plate, Model MP120K may be used with Models P2R, P2RH, P2RK, P2RHK, P2W, P2WH, SR, SRH, SRK, SRHK, SW, SWH, PC2R, PC2RH, PC2RK, PC2RHK, PC2W, PC2WH, SCR, SCRH, SCRK, SCRHK, SCW, SCWH, HR, HRK, HW, SR-P, SW-P, SRH-P, SWH-P, P2R-P, P2W-P, P2RH-P, P2WH-P, SCR-P, SCW-P, SCRH-P, SCWH-P, PC2R-P, PC2W-P, PC2RH-P, PC2WH-P, SR-SP, SRH-SP, P2R-SP, P2RH-SP, SCW-SP, SCWH-SP, PC2W-SP, PC2WH-SP, CHR, CHW, CHSR, CHSW.

Smoke detector audible bases, Models B501BH, B501BHT, B501BH-2, B501BHT-2.

Audible signal appliance accessories, accessory retrofit trim plates, Models RFP, RFPW. Optional with Series H horns, Series CH Chimes, Series CHS Chime/Strobes, Series P2 Horn/Strobes, Series PC2 Horn/Strobes, Series P4 Horn/Strobes, and Series PC4 Horn/Strobes.

Audible signal appliance accessories, accessory trim rings, Models TR-HS, TRW-HS, TRC-HS, TRCW-HS. Optional with Series H horns, Series CH Chimes, Series CHS Chime/Strobes, Series P2 Horn/Strobes, Series PC2 Horn/Strobes, Series P4 Horn/Strobes, and Series PC4 Horn/Strobes.

Ceiling trim ring, Optional with Models SYS-HS, SYS-HSR, SYS-HSR-FIRE, SYS-ST, SYS-STR.

Ceiling trim plates, Models SYS-CTP, SYS-CTPR, SYS-CTPR-FIRE, SYS-CTPW, SYS-CTPRW, SYS-CTPRW-FIRE.

[Last Updated](#) on 2015-11-10

[Questions?](#)

[Print this page](#)

[Terms of Use](#)

[Page Top](#)

The appearance of a company's name or product in this database does not in itself assure that products so identified have been manufactured under UL's Follow-Up Service. Only those products bearing the UL Mark should be considered to be Certified and covered under UL's Follow-Up Service. Always look for the Mark on the product.

UL permits the reproduction of the material contained in the Online Certification Directory subject to the following conditions: 1. The Guide Information, Assemblies, Constructions, Designs, Systems, and/or Certifications (files) must be presented in their entirety and in a non-misleading manner, without any manipulation of the data (or drawings). 2. The statement "Reprinted from the Online Certifications Directory with permission from UL" must appear adjacent to the extracted material. In addition, the reprinted material must include a copyright notice in the following format: "© 2016 UL LLC".



Indoor Selectable-Output Strobes and Horn Strobes for Ceiling Applications

System Sensor L-Series audible visible notification products are rich with features guaranteed to cut installation times and maximize profits with lower current draw and modern aesthetics.



Features

- Plug-in design with minimal intrusion into the back box
- Tamper-resistant construction
- Automatic selection of 12- or 24-volt operation at 15 and 30 candela
- Field-selectable candela settings on ceiling units: 15, 30, 75, 95, 115, 150, and 177
- Horn rated at 88+ dBA at 16 volts
- Rotary switch for horn tone and two volume selections
- Universal mounting plate for ceiling units
- Mounting plate shorting spring feature checks wiring continuity before device installation
- Electrically Compatible with legacy SpectrAlert and SpectrAlert Advance devices
- Compatible with MDL3 sync module
- Listed for ceiling mounting only

The System Sensor L-Series offers the most versatile and easy-to-use line of horns, strobes, and horn strobes in the industry with lower current draws and modern aesthetics. With white and red plastic housings, wall and ceiling mounting options, System Sensor L-Series can meet virtually any application requirement.

The entire L-Series product line of ceiling-mount strobes and horn strobes include a variety of features that increase their application versatility while simplifying installation. All devices feature a plug-in design with minimal intrusion into the back box, making installations fast and foolproof while virtually eliminating costly and time-consuming ground faults.

To further simplify installation, the L-Series utilizes a universal mounting plate so installers can mount them to a wide array of back boxes. With an onboard shorting spring, installers can test wiring continuity before the device is installed.

Installers can also easily adapt devices to suit a wide range of application requirements using field-selectable candela settings, automatic selection of 12- or 24-volt operation, and a rotary switch for horn tones with two volume selections.

Agency Listings



L-Series Specifications

Architect/Engineer Specifications

General

L-Series ceiling-mount strobes and horn strobes shall mount to a standard 4 × 4 × 1½-inch back box, 4-inch octagon back box, or double-gang back box. Two-wire products shall also mount to a single-gang 2 × 4 × 17/8-inch back box. A universal mounting plate shall be used for mounting ceiling and wall products. The notification appliance circuit wiring shall terminate at the universal mounting plate. Also, L-Series products, when used with the Sync•Circuit™ Module accessory, shall be powered from a non-coded notification appliance circuit output and shall operate on a nominal 12 or 24 volts. When used with the Sync•Circuit Module, 12-volt-rated notification appliance circuit outputs shall operate between 8.5 and 17.5 volts; 24-volt-rated notification appliance circuit outputs shall operate between 16.5 and 33 volts. Indoor L-Series products shall operate between 32 and 120 degrees Fahrenheit from a regulated DC or full-wave rectified unfiltered power supply. Ceiling strobes and horn strobes shall have field-selectable candela settings including 15, 30, 75, 95, 115, 150, and 177.

Strobe

The strobe shall be a System Sensor L-Series Model _____ listed to UL 1971 and shall be approved for fire protective service. The strobe shall be wired as a primary-signaling notification appliance and comply with the Americans with Disabilities Act requirements for visible signaling appliances, flashing at 1 Hz over the strobe's entire operating voltage range. The strobe light shall consist of a xenon flash tube and associated lens/reflector system.

Horn Strobe Combination

The horn strobe shall be a System Sensor L-Series Model _____ listed to UL 1971 and UL 464 and shall be approved for fire protective service. The horn strobe shall be wired as a primary-signaling notification appliance and comply with the Americans with Disabilities Act requirements for visible signaling appliances, flashing at 1 Hz over the strobe's entire operating voltage range. The strobe light shall consist of a xenon flash tube and associated lens/reflector system. The horn shall have two audibility options and an option to switch between a temporal three pattern and a non-temporal (continuous) pattern. These options are set by a multiple position switch. The horn on horn strobe models shall operate on a coded or non-coded power supply.

Synchronization Module

The module shall be a System Sensor Sync•Circuit model MDL3 listed to UL 464 and shall be approved for fire protective service. The module shall synchronize L-Series strobes at 1 Hz and horns at temporal three. Also, while operating the strobes, the module shall silence the horns on horn strobe models over a single pair of wires. The module shall mount to a 4 11/16 × 4 11/16 × 2 1/8-inch back box. The module shall also control two Style Y (class B) circuits or one Style Z (class A) circuit. The module shall synchronize multiple zones. Daisy chaining two or more synchronization modules together will synchronize all the zones they control. The module shall not operate on a coded power supply.

Physical/Electrical Specifications

Standard Operating Temperature	32°F to 120°F (0°C to 49°C)
Humidity Range	10 to 93% non-condensing
Strobe Flash Rate	1 flash per second
Nominal Voltage	Regulated 12 VDC or regulated 24 DC/FWR ¹
Operating Voltage Range²	8 to 17.5 V (12 V nominal) or 16 to 33 V (24 V nominal)
Operating Voltage Range (MDL3)	8.5 to 17.5V (12 V nominal) or 16.5 to 33 V (24V nominal)
Input Terminal Wire Gauge	12 to 18 AWG
Ceiling-Mount Dimensions (including lens)	6.8" diameter × 2.5" high (173 mm diameter × 64 mm high)
Ceiling-Mount Surface Mount Back Box Skirt Dimensions (SBBCRL, SBBCWL)	6.9" diameter × 3.4" high (175 mm diameter × 86 mm high)

Notes:

1. Full Wave Rectified (FWR) voltage is a non-regulated, time-varying power source that is used on some power supply and panel outputs.
2. P, S, PC, and SC products will operate at 12 V nominal only for 15 and 30 cd.

UL Current Draw Data

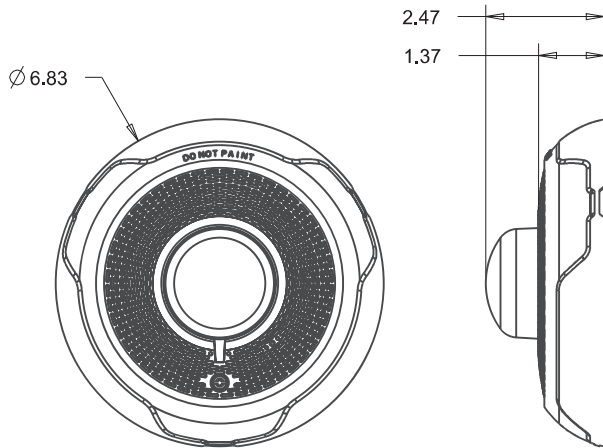
UL Max. Strobe Current Draw (mA RMS)			
Candela	8–17.5 Volts		16–33 Volts
	DC	DC	FWR
15	87	41	60
30	153	63	86
75	N/A	111	142
95	N/A	134	164
115	N/A	158	191
150	N/A	189	228
177	N/A	226	264

UL Max. Current Draw (mA RMS), 2-Wire Horn Strobe									
DC Input	8-17.5 Volts		16-33 Volts						
	15cd	30cd	15cd	30cd	75cd	95cd	115cd	150cd	177cd
Temporal High	103	167	71	90	143	165	187	217	254
Temporal Low	96	165	54	71	137	161	185	211	249
Non-Temporal High	106	173	71	90	141	165	187	230	273
Non-Temporal Low	95	166	54	71	124	161	170	216	258
3.1K Temporal High	111	164	69	94	147	163	184	229	257
3.1K Temporal Low	103	163	54	88	143	155	185	212	252
3.1K Non-Temporal High	111	172	69	94	144	164	202	229	271
3.1K Non-Temporal Low	103	169	54	88	131	155	187	217	259
FWR Input	16-33 Volts								
	15cd	30cd	75cd	95cd	115cd	150cd	177cd		
Temporal High	107	135	179	198	223	254	286		
Temporal Low	78	101	151	172	199	229	262		
Non-Temporal High	107	135	179	198	223	254	286		
Non-Temporal Low	78	101	151	172	199	229	262		
3.1K Temporal High	108	135	179	200	225	255	289		
3.1K Temporal Low	79	101	150	171	196	229	260		
3.1K Non-Temporal High	108	135	179	200	225	255	289		
3.1K Non-Temporal Low	79	101	150	171	196	229	260		

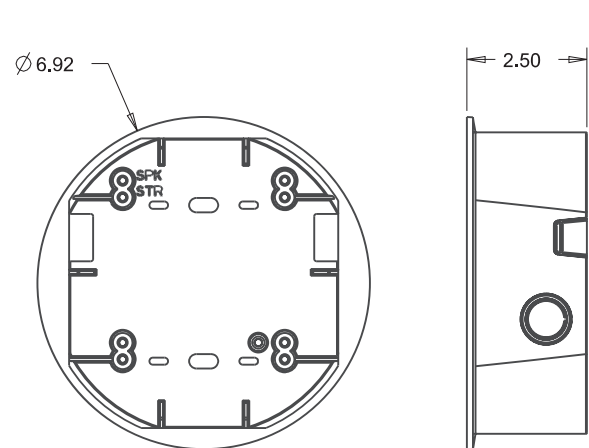
Horn Strobe Tones and Sound Output Data

Horn and Horn Strobe Output (dBA)					
Switch Position	Sound Pattern	dB	8–17.5 Volts	16–33 Volts	FWR
			DC	DC	
1	Temporal	High	84	89	89
2	Temporal	Low	75	83	83
3	Non-Temporal	High	85	90	90
4	Non-Temporal	Low	76	84	84
5	3.1 KHz Temporal	High	83	88	88
6	3.1 KHz Temporal	Low	76	82	82
7	3.1 KHz Non-Temporal	High	84	89	89
8	3.1 KHz Non-Temporal	Low	77	83	83

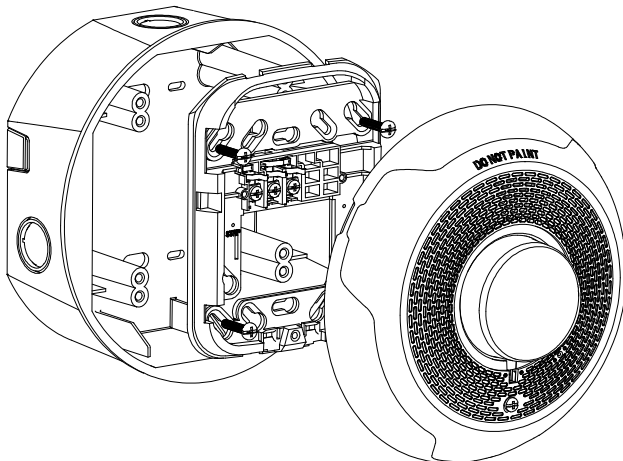
L-Series Dimensions



Ceiling-Mount Horn Strobes



Ceiling Surface Mount Back Box



Ceiling Mount Horn Strobes with Ceiling Surface Mount Back Box

L-Series Ordering Information

Model	Description
Ceiling Horn Strobes	
PC2RL	2-Wire, Horn Strobe, Red
PC2WL	2-Wire, Horn Strobe, White

Model	Description
Ceiling Strobes	
SCRL	Strobe, Red
SCWL	Strobe, White
SCWL-CLR-ALERT	Strobe, White, ALERT
Accessories	
TRC-2	Universal Ceiling Trim Ring Red
TRC-2W	Universal Ceiling Trim Ring White
SBBCRL	Ceiling Surface Mount Back Box, Red
SBBCWL	Ceiling Surface Mount Back Box, White



3825 Ohio Avenue • St. Charles, IL 60174
 Phone: 800-SENSOR2 • Fax: 630-377-6495

©2017 System Sensor.
 Product specifications subject to change without notice. Visit systemsensor.com
 for current product information, including the latest version of this data sheet.
 AVDS86801 • 03/17



UUKC.S5512
Signaling Appliances and Equipment for the Hearing Impaired

[Page Bottom](#)

Signaling Appliances and Equipment for the Hearing Impaired

[See General Information for Signaling Appliances and Equipment for the Hearing Impaired](#)

SYSTEM SENSOR UNINCORPORATED, DIV OF HONEYWELL INTERNATIONAL INC

S5512

3825 Ohio Ave
Saint Charles, IL 60174-5467 USA

Strobe lights, synchronous type, (when used with the MDL Synchronization Protocol), Models SR, SRH, SW, SW-CLR-ALERT, SW-CLR-ALERT , SWH followed by the suffix P, -SP, -PG or none, multiple candela strobes, 15, 15/75, 30, 75, 95, 110, 115 cd. The shape of the enclosure is rectangular. Intended for indoor use mounted on the wall or ceiling.

Strobe lights, synchronous type, (when used with the MDL Synchronization Protocol), Models SCR, SCRH, **SCW**, SCW-CLR-ALERT, SCWH followed by the suffix P, -SP, -PG or none, multiple candela strobes, 135, 150, 177, 185 cd. The shape of the enclosure is round. Intended for indoor use mounted on the wall or the ceiling.

Visual signal appliance accessories, accessory retrofit trim plate, Model RFP and RFPW. Optional with Series SR, Series SW, Series SCR, and Series SCW synchronous type strobe lights.

Visual signal appliance accessories, accessory trim ring, Models TR-HS, TRW-HS, TRC-HS, TRCW-HS. Optional with Series SR, Series SW, Series SCR and Series SCW synchronous type strobe lights.

Strobe lights with Low Frequency Sounder, Models P2RH-LF, P2WH-LF.

[Last Updated](#) on 2013-03-12

[Questions?](#)[Print this page](#)[Terms of Use](#)[Page Top](#)

© 2016 UL LLC

The appearance of a company's name or product in this database does not in itself assure that products so identified have been manufactured under UL's Follow-Up Service. Only those products bearing the UL Mark should be considered to be Certified and covered under UL's Follow-Up Service. Always look for the Mark on the product.

UL permits the reproduction of the material contained in the Online Certification Directory subject to the following conditions: 1. The Guide Information, Assemblies, Constructions, Designs, Systems, and/or Certifications (files) must be presented in their entirety and in a non-misleading manner, without any manipulation of the data (or drawings). 2. The statement "Reprinted from the Online Certifications Directory with permission from UL" must appear adjacent to the extracted material. In addition, the reprinted material must include a copyright notice in the following format: "© 2016 UL LLC".

- **Universal full event sole & dual path cellular &/or IP commercial fire alarm reporting from any panel brand, virtually anywhere nationwide**
- **Code-compliant, replaces 2 POTs lines per FACP** saves thousands of dollars per year over the leased landlines
- **Supports 12V-24V control panels and FACPs** that communicate using Contact ID and 4/2 (such as on legacy panels), as primary or backup
- **Full data Reporting to any Central Station nationwide, via choice of LTE Networks, Verizon® or AT&T®. Communicate critical life and safety alarm reports on LTE (Long Term Evolution) 10+ year life, cyber-protected multi-billion dollar cellular network,** for maximum life safety & liability protection.
- **Proven to work even where other's won't - using Signal Boost™ & twin dual diversity antennas** - Max. signal acquisition & null avoidance (receives signals simultaneously on both antennas)
- **Easiest installation, powered by panel, NO extra power supply, NO extra conduit.** (Excludes Direct AC-Powered "-PS" models, with transformer option.) †
- **Dual Path Cellular/IP Models Save Time & Money** - Uniquely including 4 programmable EOLR zone inputs; 2 Form C Relay outputs (no extra supervision modules to buy or install); plus, 2 Telephone-style jacks for easy FACP-connection. Self-supervised on 4 wires.
- **Preactivated to ensure communications** - saves time and labor onsite
- **LED Status /Trouble Indicators** 3 Radio Status LED Indicators (visible from outside standard model housing) - Green, Signal Strength; Amber- Busy/Activation; Red-Trouble (4 additional LEDs, not visible, for network status & troubleshooting). Power LED indicator viewable on outer metal enclosure models.
- **Over-the-Air Upgradable Communicator Firmware.** Remote ability for critical/mandatory updates, without a truck-roll
- **Cost-saving models and plans for any code requirement.** Dramatic savings over monthly dedicated landline charges.

UL and NFPA 72 Fire Code-Compliant, the StarLink Series Wireless Commercial Fire Alarm Sole Path & Dual Path Communicators provide universal support for any brand 12V to 24V fire alarm control panel, reporting in Contact ID and 4/2. With broadest LTE coverage footprint, Verizon or AT&T, using proven StarLink circuitry, they are also available in locking metal models. All provide the most economical solution for easy, versatile installation. Also regional compliances, i.e., CSFM, NYCFD, LAFD and more.

Easy, Universal Installation at Every Application; Panel-Powered Technology™. StarLink Fire Communications are easily connected to any panel or Fire Alarm Control Panel (FACP) standardly operating between 12V and 24V. Flexible in any application, StarLink Fire also comes in standard, or models in metal housings, with code-compliant supervision, and choice of power options, Panel-Powered Technology™ (powered by the panel), or direct-connect 120VAC models. **Signal Boost circuitry & dual diversity antennae** for maximum signal acquisition & null avoidance, receiving signals simultaneously on both antennae.

Flexible Performance & Reporting Options. StarLink Fire provides full data reporting, in sole and dual path, as a primary or backup, to any central station of your choice, without requiring any special equipment on premises. Ultra-affordable plans are available to meet various codes and requirements, with supervisory check-ins from 200 seconds, to 5 minutes; and/or from 1 to 6 hours. The units are very easily activated, plans and options are selected, and 24/7 account management is provided all through www.napcocomnet.com.

Napco StarLink Universal Fire Alarm Communicators

- **Sole Path Cellular and Dual Path Cellular &/or IP Models**
- **Choice of LTE Networks,** Verizon or AT&T models
- **Choice of plans** (varies by model) - check-ins from 200 seconds to 5-minutes, and from 1 hour; up to 6 hours for dual path
- **Patented Signal Boost™ and Dual Diversity Antennae** for maximum signal acquisition & null avoidance, receiving signals simultaneously on both antennae
- **Money-saving Tradeup incentive credit** for security professionals, on new or retrofit fire systems, i.e., tradeup missing/retired POTs lines, old radios & networks or new installations
- **Bonus: Full High-Speed Napco Panel remote uploading/downloading**
- **COMPLIANCES:** NFPA 72 Editions: 2019, 2016, 2013, 2010, 2007; UL 864, 10th Ed., UL1610, UL985, UL1023, NYCFD; CSFM; LAFD



Code-compliant standard or metal models on choice of Verizon or AT&T LTE networks.



Model Ordering & Specifications



	LTE Network	Cell	IP	WiFi Option**	Unique Onboard Labor/Cost-Saver Features	Electrical Input Ratings	Inputs	Input Ratings	Outputs	Output Ratings	Other Power Supply (option)†
STANDARD MODELS (ABS) 5.38 x 7.88 x 1.88" (HWD)											
SOLE PATH											
SLE-LTEA-FIRE	AT&T	Yes	No	No		Panel-Powered Tech'y:†† Input Voltage/Input Current: 10V = 90mA; 12-25V = 71mA, 200mA peak during transmissions	IN1, IN2, IN3	IN1: 9-25VDC Max input current 2mA IN2,IN3: 9-25VDC Max input current 1.2mA	PGM1, PGM2, PGM3	Open Collector Outputs Max 3V when active, Max 25V when not active. Max current 24mA@ 25V	
SLE-LTEV-FIRE	Verizon	Yes	No	No							
DUAL PATH											
SLE-LTEAI-FIRE	AT&T	Yes	Yes	Yes	2 TelCo jacks for EZ FACP Connect; 4 Programmable EOLR zone inputs; 2 Form C Relay outputs (avoids reqt for supervision module)	Panel-Powered Tech'y:†† Input Voltage:10-25VDC; Input Current: 162mA to 100mA standby; 300mA peak during transmissions	IN1, IN2, IN3, IN4, IN5	IN1: 9-25VDC Max input current 2mA IN2,IN3,IN4,IN5: 9-25VDC Max input current 1.2mA	OUT1, OUT2, PGM3	OUT1,OUT2: Dry Contact, Form C Relay, 30V AC/DC, 500mA Max PGM3: Open Collector Outputs Max 3V when active, Max 25V when active. Max current 24mA@ 25V	
SLE-LTEVI-FIRE	Verizon	Yes	Yes	Yes							
MODELS IN METAL ENCLOSURE 9.63 x 11.75 x 3.38" (HWD)											
SOLE PATH											
SLE-LTEA-CFB	AT&T	Yes	No	No		Panel-Powered Tech'y:†† Input Voltage/Input Current: 10V = 90mA; 12-25V = 71mA, 200mA peak during transmissions	IN1, IN2, IN3	IN1: 9-25VDC Max input current 2mA IN2,IN3: 9-25VDC Max input current 1.2mA	PGM1, PGM2, PGM3	Open Collector Outputs Max 3V when active, Max 25V when not active. Max current 24mA@ 25V	
SLE-LTEV-CFB	Verizon	Yes	No	No							
SLE-LTEA-CFB-PS	AT&T	Yes	No	No		Direct AC-Powered: Input Voltage: 120VAC nominal Input Current: 150mA max; maximum charging current: 200mA	IN1, IN2, IN3	IN1: 9-25VDC Max input current 2mA IN2,IN3: 9-25VDC Max input current 1.2mA	PGM1, PGM2, PGM3	Open Collector Outputs Max 3V when active, Max 25V when not active. Maximum current 24mA@ 25V	Transformer (TRF12 16VAC, 20VA transformer)
SLE-LTEV-CFB-PS	Verizon	Yes	No	No							
DUAL PATH											
SLE-LTEAI-CFB	AT&T	Yes	Yes	Yes	2 TelCo jacks for EZ FACP Connect; 4 Programmable EOLR zone inputs; 2 Form C Relay outputs (avoids reqt for supervision module)	Panel-Powered Tech'y:†† Input Voltage:10-25VDC; Input Current: 162mA to 100mA standby; 300mA peak during transmissions	IN1, IN2, IN3, IN4, IN5	IN1: 9-25VDC Max input current 2mA IN2,IN3,IN4,IN5: 9-25VDC Max input current 1.2mA	OUT1, OUT2, PGM3	OUT1,OUT2: Dry Contact, Form C Relay, 30V AC/DC, 500mA Max PGM3: Open Collector Outputs Max 3V when active, Max 25V when active. Max current 24mA@ 25V	
SLE-LTEVI-CFB	Verizon	Yes	Yes	Yes							
SLE-LTEAI-CFBPS	AT&T	Yes	Yes	Yes	2 TelCo jacks for EZ FACP Connect; 4 Programmable EOLR zone inputs; 2 Form C Relay outputs (avoids reqt for supervision module)	Direct AC-Powered: Input Voltage: 120VAC nominal Input Current: 200mA max; maximum charging current: 200mA	IN1, IN2, IN3, IN4, IN5	IN1: 9-25VDC Max input current 2mA IN2,IN3,IN4,IN5: 9-25VDC Max input current 1.2mA	OUT1, OUT2, PGM3	OUT1,OUT2: Dry Contact, Form C Relay, 30V AC/DC, 500mA Max PGM3: Open Collector Outputs Max 3V when active, Max 25V when active. Max current 24mA@ 25V	Transformer (TRF12 16VAC, 20VA transformer)
SLE-LTEVI-CFBPS	Verizon	Yes	Yes	Yes							

ACCESSORIES:

SLE-WIFI-MODULE Optionally connects supported dual path models to Internet via WiFi, eliminating Ethernet cable connection. Requires 7AH batt'y. (**See details WI2191)

SLE-ANEXT75 Optional extended range omni. antenna w/ 75' cable, premium low-loss cable & full mounting hardware & ground fault isolation mounting plate

SLE-ANEXT50 As above, with 50' cable

SLE-ANEXT30 As above, with 30' cable

TRF12 Optional Plug in AC Transformer, 16.5V / 20VA (use is subject to local code compliance)†

Free Commercial Fire LTE Tradeup Trifold Brochures / Mailers/Stuffers (A747)



FireLink™ Integrated Fire Alarm Control Panel w/ StarLink Fire LTE Built In

FL-32FACP-LTEV Firewolf 8 Zone 24V Conventional Commercial Fire Alarm Control Panel with onboard StarLink Fire® Sole Path, Verizon LTE Cellular Alarm Communicator and integral menu-driven LCD annunciator, w/ 4amp, 24V power supply. Optionally expandable up to 32 points/zones via commercial addressable, wireless or conventional fire devices (2 onboard NACs providing up to 4A notification power). Locking, metal red enclosure, (surface or flush mount*) removable 16"x17" door w/14.25"x16" base. Houses 16Ah battery backup.

UOXX.S2576 - CONTROL UNIT ACCESSORIES, SYSTEM

Control Unit Accessories, System

See General Information for Control Unit Accessories, System

NAPCO SECURITY TECHNOLOGIES INC

333 BAYVIEW AVE
AMITYVILLE, NY 11701 USA

S2576

Investigated to UL 864 (10th edition)

Communicator "StarLink" Model(s) SLE-CDMA (a), SLE-CDMA-8D (a), SLE-CDMA-FIRE (a), SLE-CDMAI (a), SLE-CDMAI-CB (a), SLE-CDMAI-CB-TF (a), SLE-CDMAI-CFB (a), SLE-CDMAI-CFB-PS (a), SLE-CDMAI-FIRE (a), SLE-GSM-3/4G (a), SLE-GSM-8D-3/4G (a), SLE-GSM-FIRE (a), SLE-GSMI-3/4G (a), SLE-GSMI-FIRE (a), SLE-LTEA (a), SLE-LTEA-8D (a), SLE-LTEA-CB (a), SLE-LTEA-CB-TF (a), SLE-LTEA-CFB (a), SLE-LTEA-CFB-PS (a), SLE-LTEA-FIRE (a), SLE-LTEAI-CFB(a), SLE-LTEAI-CFBPS(a), SLE-LTEAI-FIRE(a), SLE-LTEV (a), SLE-LTEV-8D (a), SLE-LTEV-CB (a), SLE-LTEV-CB-TF (a), SLE-LTEV-CFB (a), SLE-LTEV-CFB-PS (a), SLE-LTEV-FIRE (a), SLE-LTEVI-CFB (a), SLE-LTEVI-CFBPS (a), SLE-LTEVI-FIRE (a), SLE3/4G-CB (a), SLE3/4G-CB-TF (a), SLE3/4G-CFB (a), SLE3/4G-CFB-PS (a), SLE3/4GI-CB (a), SLE3/4GI-CB-TF (a), SLE3/4GI-CFB (a), SLE3/4GI-CFB-PS (a), SLECDMA-CB (a), SLECDMA-CB-TF (a), SLECDMA-CFB (a), SLECDMA-CFB-PS (a)

Subassembly "StarLink" Model(s) 9LTE24PSLD, 9LTEA24PSLD, 9SLECDMAIPSLD, 9SLEDPLTEA2PSLD, 9SLEGSMDPPSLD, 9SLELTEVIPSLD, SLE-ULPS-R power supply module, SLE-WiFi-Module

(a) - Model numbers may be followed by an alpha numeric suffix.

Last Updated on 2019-07-25

The appearance of a company's name or product in this database does not in itself assure that products so identified have been manufactured under UL's Follow-Up Service. Only those products bearing the UL Mark should be considered to be Certified and covered under UL's Follow-Up Service. Always look for the Mark on the product.

UL permits the reproduction of the material contained in the Online Certification Directory subject to the following conditions: 1. The Guide Information, Assemblies, Constructions, Designs, Systems, and/or Certifications (files) must be presented in their entirety and in a non-misleading manner, without any manipulation of the data (or drawings). 2. The statement "Reprinted from the Online Certifications Directory with permission from UL" must appear adjacent to the extracted material. In addition, the reprinted material must include a copyright notice in the following format: "© 2019 UL LLC"