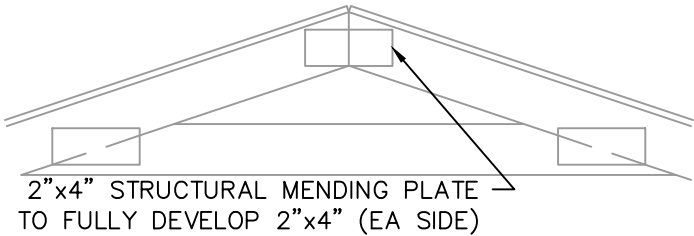


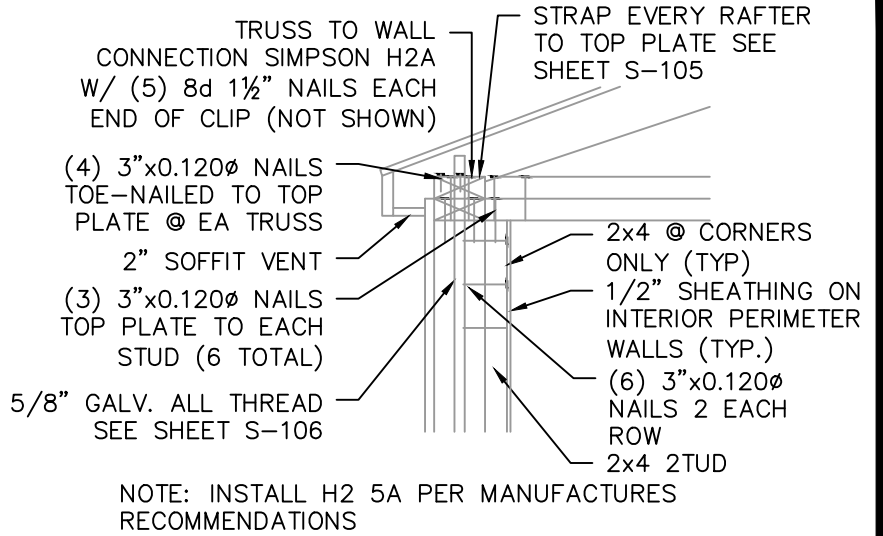
2x4 STUD (ENDWALL)
 (2)2x4 STUDS (SIDEWALL)
 (2) 3"x 0.120ø NAILS @ 12" O.C.

1-CORNER DETAIL



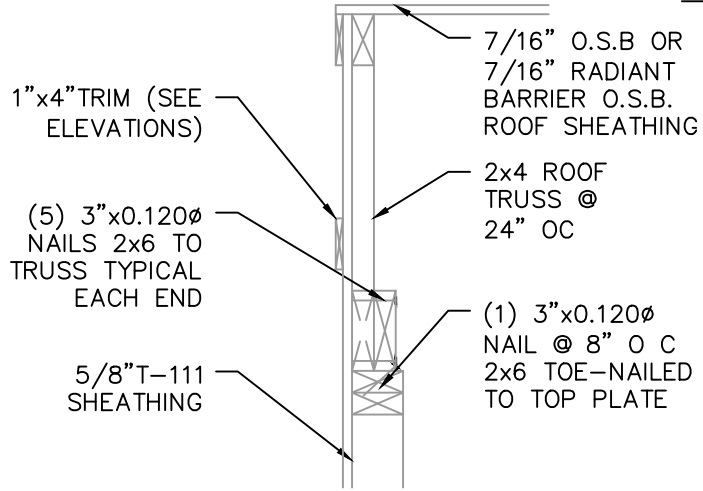
2-TRUSS SPLICE DETAIL

NOTE:
 ALL MEMBERS ARE 2x4

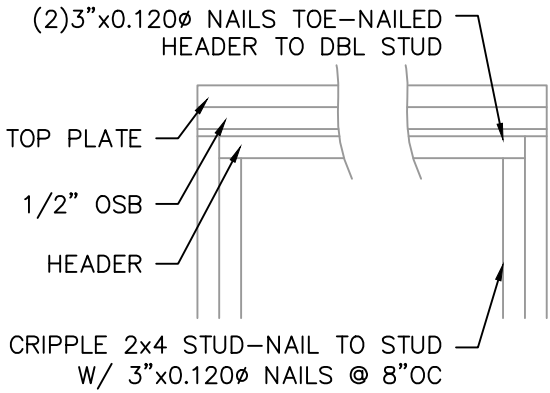


3-CORNER & WALL DETAIL

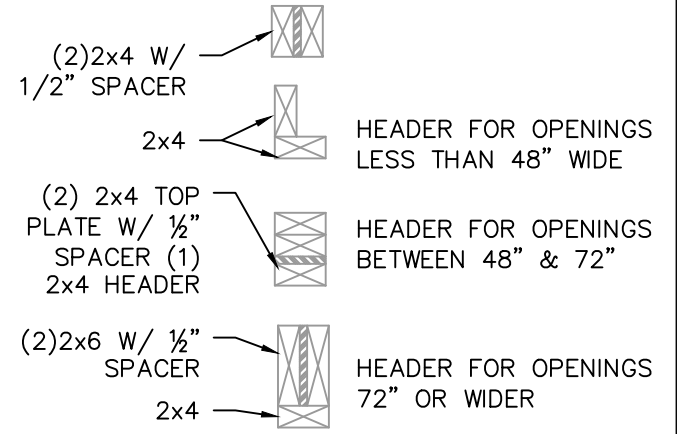
3-TYP WINDOW FRAMING



5-END WALL DETAIL



6-TYP DOOR FRAMING



NOTE: FOR 12' HIGH OR GREATER SIDEWALLS, A 48" MAX OPENING IS ALLOWED



DANCO BUILDINGS, LLC.

PHONE: 601-551-0469 EMAIL: CHRISDANIELST6@GMAIL.COM

DRAWN BY: CKD SCALE: NTS DATE: 02-18-2026

SHEET TITLE: BUILD DETAIL 1

DRAWING NUMBER: S-109



DAMMON ENGINEERING, INC.

554 Old Spanish Trail Slidell, LA 70458 (485) 619-5832

Chief Engineer: Brian Mistich, PE
 554 Old Spanish Trail
 Slidell, LA 70458

www.dammonengineering.com
 info@dammonengineering.com
 PHONE: 985-649-5832