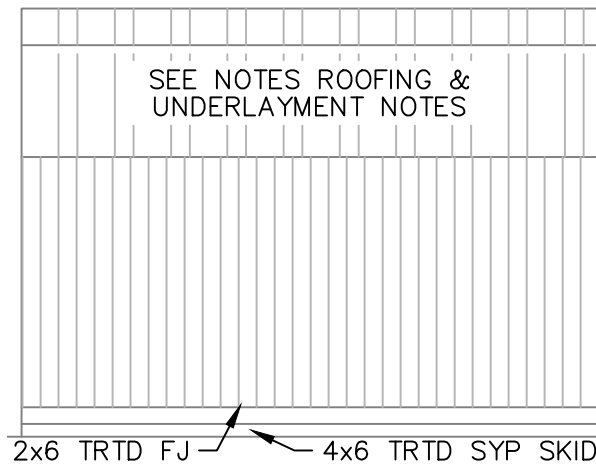
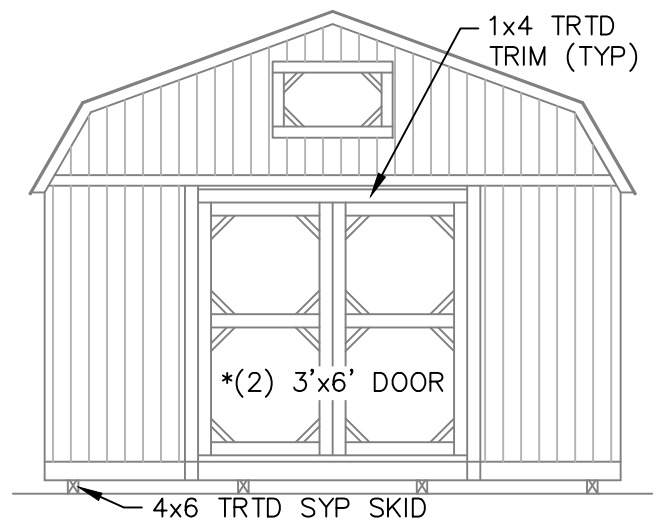


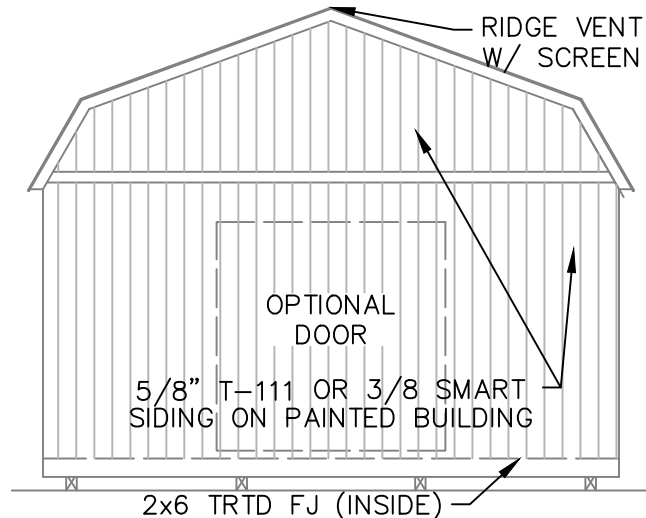
REAR ELEVATION WITHOUT PORCH



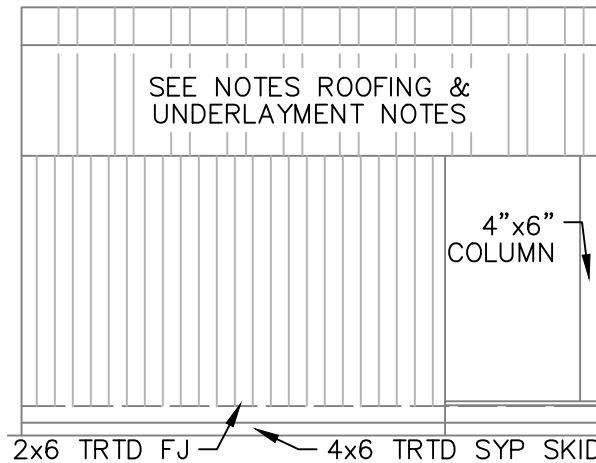
SIDE ELEVATION WITHOUT PORCH



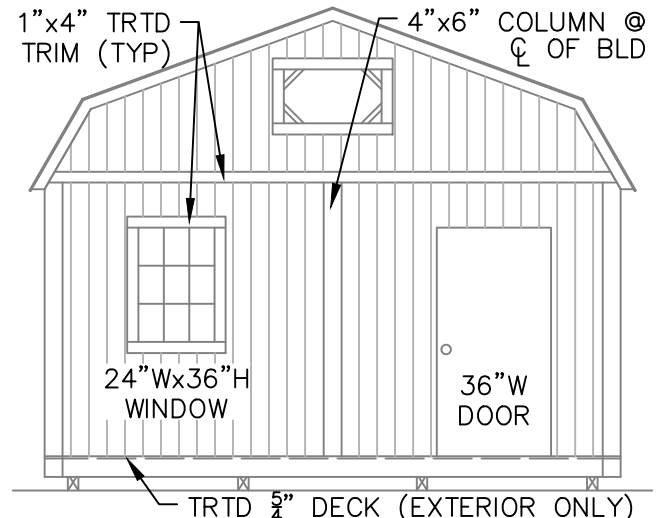
FRONT ELEVATION WITHOUT PORCH



REAR ELEVATION WITH PORCH



SIDE ELEVATION WITH PORCH



FRONT ELEVATION WITH PORCH

APEX BUILDERS AND ASSOCIATES
BUILDERS & ASSOCIATES
 504-858-6544

DRAWN BY: TNT SCALE: 1/4" = 1'-0" DATE: 02-14-2022

SHEET TITLE: ELEVATION PLAN

DRAWING NUMBER: **S-107**

DAMMON ENGINEERING, INC.
 554 Old Spanish Trail Slidell, LA 70458 (985) 649-5832

Chief Engineer: Brian Mistich, PE
 554 Old Spanish Trail
 Slidell, LA 70458
 www.dammonengineering.com
 info@dammonengineering.com
 PHONE: 985-649-5832