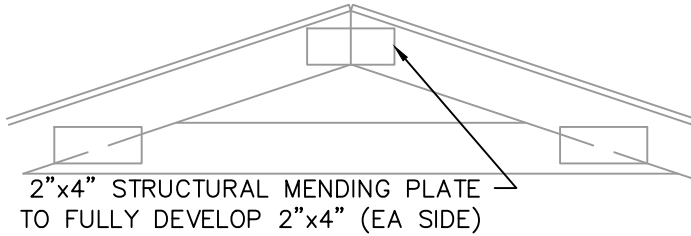
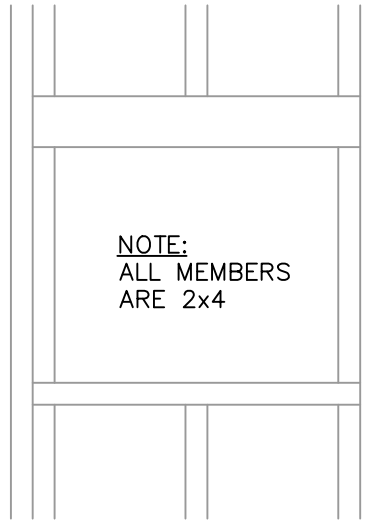


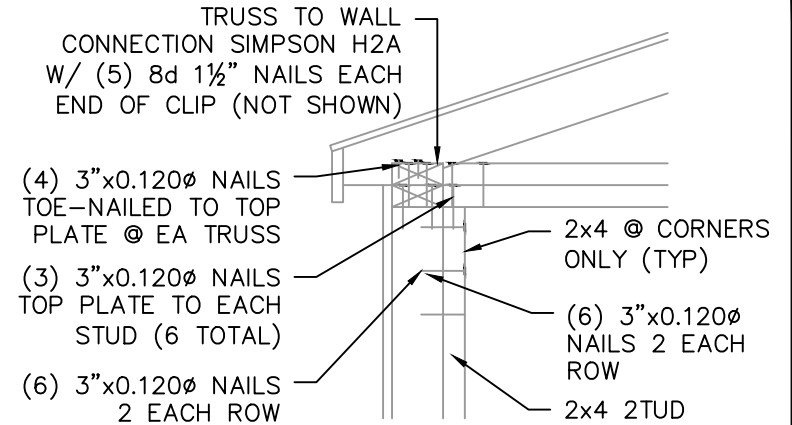
1-CORNER DETAIL



2-TRUSS SPLICE DETAIL

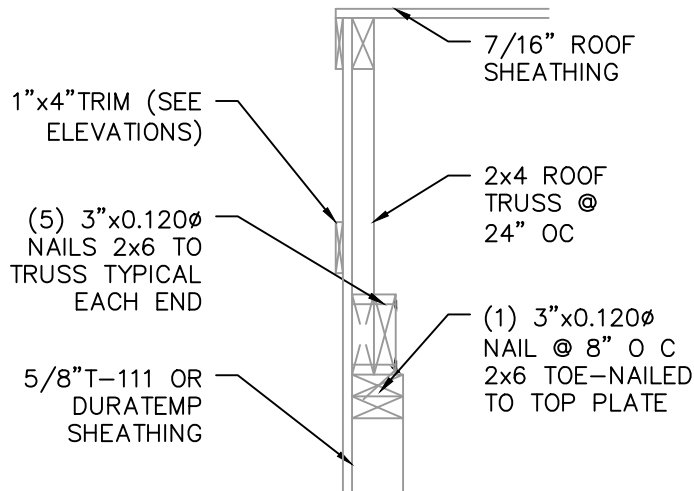


3-TYP WINDOW FRAMING

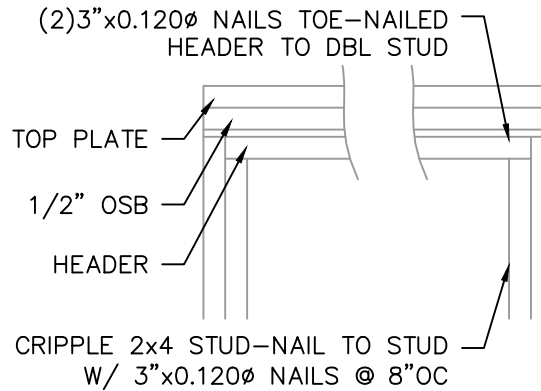


NOTE: INSTALL H2 5A PER MANUFACTURES RECOMMENDATIONS

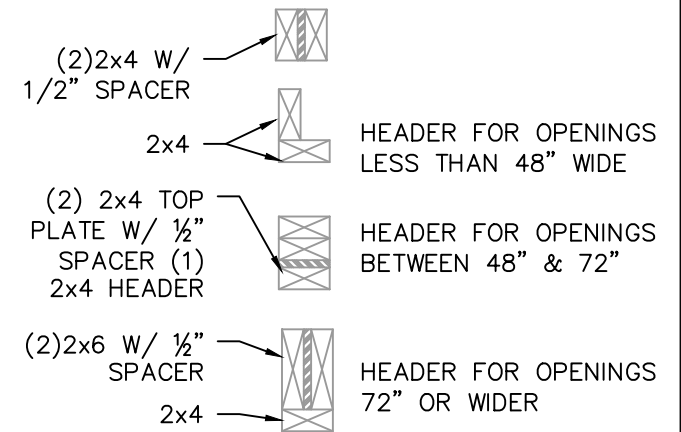
4-CORNER & WALL DETAIL



5-END WALL DETAIL



6-TYP DOOR FRAMING



NOTE: FOR 12' HIGH OR GREATER SIDEWALLS, A 48" MAX OPENING IS ALLOWED



**S.O.S. PORTABLE BUILDINGS**

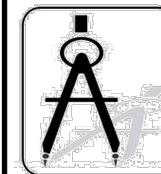
890, I-10 SERVICE RD, SLIDELL, LA 70461

BUILDING SIZE:	16x16	DATE:	01-04-2022
DRAWN BY:	TT	SCALE:	NTS

DRAWING NUMBER:

**S-107**

UTILITY-LA-V=150MPH-IBC2015



**DAMMON ENGINEERING, INC.**

554 Old Spanish Trail Slidell, LA 70458 (985) 649-5832

Chief Engineer: Brian Mistich, PE  
554 Old Spanish Trail  
Slidell, LA 70458

www.dammonengineering.com  
info@dammonengineering.com  
PHONE: 985-649-5832