

FOUNDATION STATISTICS

FOUNDATION AREA:
 BUILDING FOOTPRINT - 15' x 24'
 TOTAL FOUNDATION FOOTPRINT - 360 SF

PILING NOTES

1. PILES ARE TO BE 40 FT. IN LENGTH CLASS B WITH A 8 INCH TIP AND 12" BUTT. DRIVEN TO REFUSAL.
2. ALL PILES SHALL BE PRESSURE-TREATED ROUND TIMBER PILES CONFORMING TO ASTM D25.
3. DESIGN LOAD 3.5 TONS PER PILE.
4. NO FIELD SUPERVISION OR INSPECTION PROVIDED UNDER THIS SEAL UNLESS OTHERWISE NOTED.
5. PILE LAYOUT MAY BE MODIFIED DUE TO ACTUAL DRIVING CONDITIONS. ENGINEER TO BE NOTIFIED ON ANY MODIFICATION.
6. A PILE BLOW COUNT LOG OF ALL PILES IS TO BE SUBMITTED TO THE ENGINEER OF RECORD. FAILURE TO SUBMIT SAID LOG WILL RELEASE THE ENGINEER OF ALL RESPONSIBILITY.
7. CONTRACTOR IS RESPONSIBLE FOR THE COMPARISON & VERIFICATION OF PILE LAYOUT DIMENSIONS WITH MOST RECENT ARCHITECTURAL DRAWINGS, ASSURING THAT PILES DO FALL WITHIN LIMITS OF THE DESIGN.
8. USE DROP HAMMER OR SINGLE ACTING AIR HAMMER DELIVERING 1,500 FT-LEBS OF ENERGY PER BLOW. RAM HEIGHT OF DROP HAMMER SHALL NOT EXCEED 2,500 TO 3,000 LBS AND THE DROP SHOULD NOT EXCEED 3 FT., AT MINIMUM OF 25 BLOWS PER FOOT. IF THE DROP EXCEEDS 3 FT., CONTACT ENGINEER FOR INSTRUCTIONS.
10. FIELD VERIFY DIMENSIONS AGAINST THE ARCHITECTURAL DRAWINGS

PILING COUNT

20 PILING COUNT

GENERAL FOUNDATION NOTES

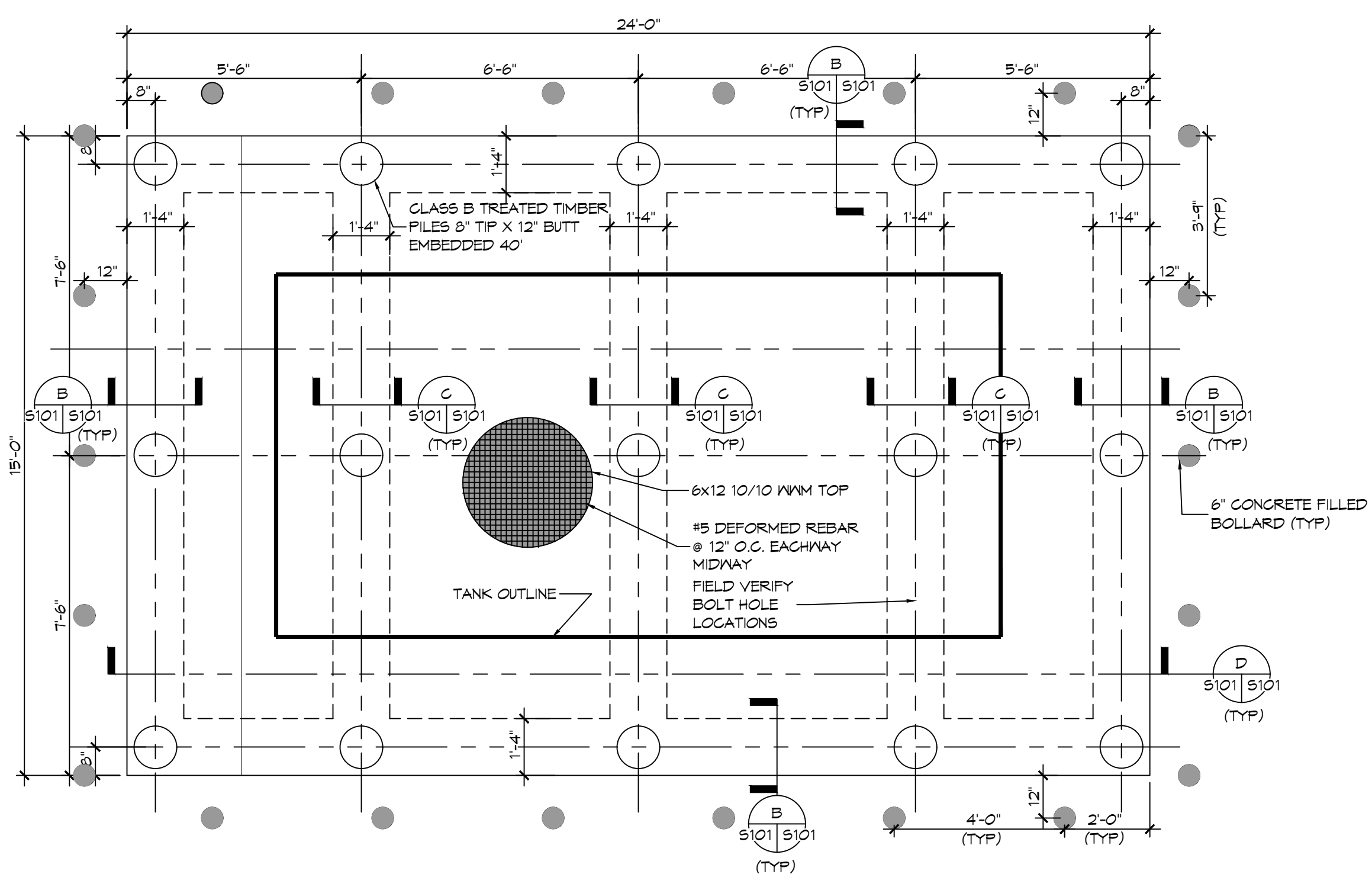
1. THE CONCRETE MIX SHALL HAVE A MINIMUM COMPRESSIVE STRENGTH OF 4000 PSI AT 28 DAYS. CONCRETE MIX SHALL BE IN ACCORDANCE WITH ACI-310.
2. ALL CONVENTIONAL REINFORCING SHALL MEET ASTM-A615 (GRADE 60).
3. ALL REINFORCING STEEL AND MESH SHALL BE SECURELY SUPPORTED TO PREVENT BOTH VERTICAL AND HORIZONTAL MOVEMENT DURING CONCRETE PLACEMENT.
4. THE CONTRACTOR SHALL VERIFY ALL DROPS, OFFSETS, CMU LEDGES, DIMENSIONS, AND CONFIGURATIONS. CONTRACTOR MUST BE RESPONSIBLE FOR SAME.
5. GRADE BEAM SIZES MAY VARY BY -5% TO +20%.
6. ALL SUBGRADE FILL SHALL BE SELECT GRANULAR MATERIAL COMPACTED TO 95% STANDARD PROCTOR DENSITY IN A MAXIMUM OF 6' LIFTS.
7. A MINIMUM OF 8" CONCRETE THICKNESS SHALL BE MAINTAINED THROUGHOUT THE SLAB.
8. ALL RUNOFF WATER MUST BE CARRIED AWAY FROM THE SLAB TO PREVENT SATURATION OF THE SUB-BASE.
9. ALL TREES WITHIN CLOSE PROXIMITY SHALL BE REMOVED TO PREVENT THE ROOTS FROM EXTENDING UNDER THE SLAB.
10. PROVIDE AND MAINTAIN IMMEDIATE SITE DRAINAGE BEFORE, DURING, AND AFTER CONSTRUCTION. PROVIDE GRADING, SWELLS, AND SUMP PUMPS AS MAY BE REQUIRED TO IMMEDIATELY DRAIN ALL RAINWATER FROM THE CONSTRUCTION AREA. FOOTING EXCAVATIONS SHOULD BE OBSERVED AND CONCRETE TO BE PLACED AS QUICKLY AS POSSIBLE TO AVOID EXPOSURE OF THE FOOTING BOTTOMS TO WETTING AND DRYING. SURFACE RUNOFF WATER SHOULD BE DRAINED AWAY FROM THE EXCAVATIONS AND NOT BE ALLOWED TO POND PRIOR TO OR AFTER CONCRETE PLACEMENT. IF IT IS REQUIRED THAT A FOOTING EXCAVATION BE LEFT OPEN FOR MORE THAN ONE DAY, IT SHOULD BE PROTECTED TO REDUCE EVAPORATION OR ENTRY OF MOISTURE.

DESIGN CRITERIA

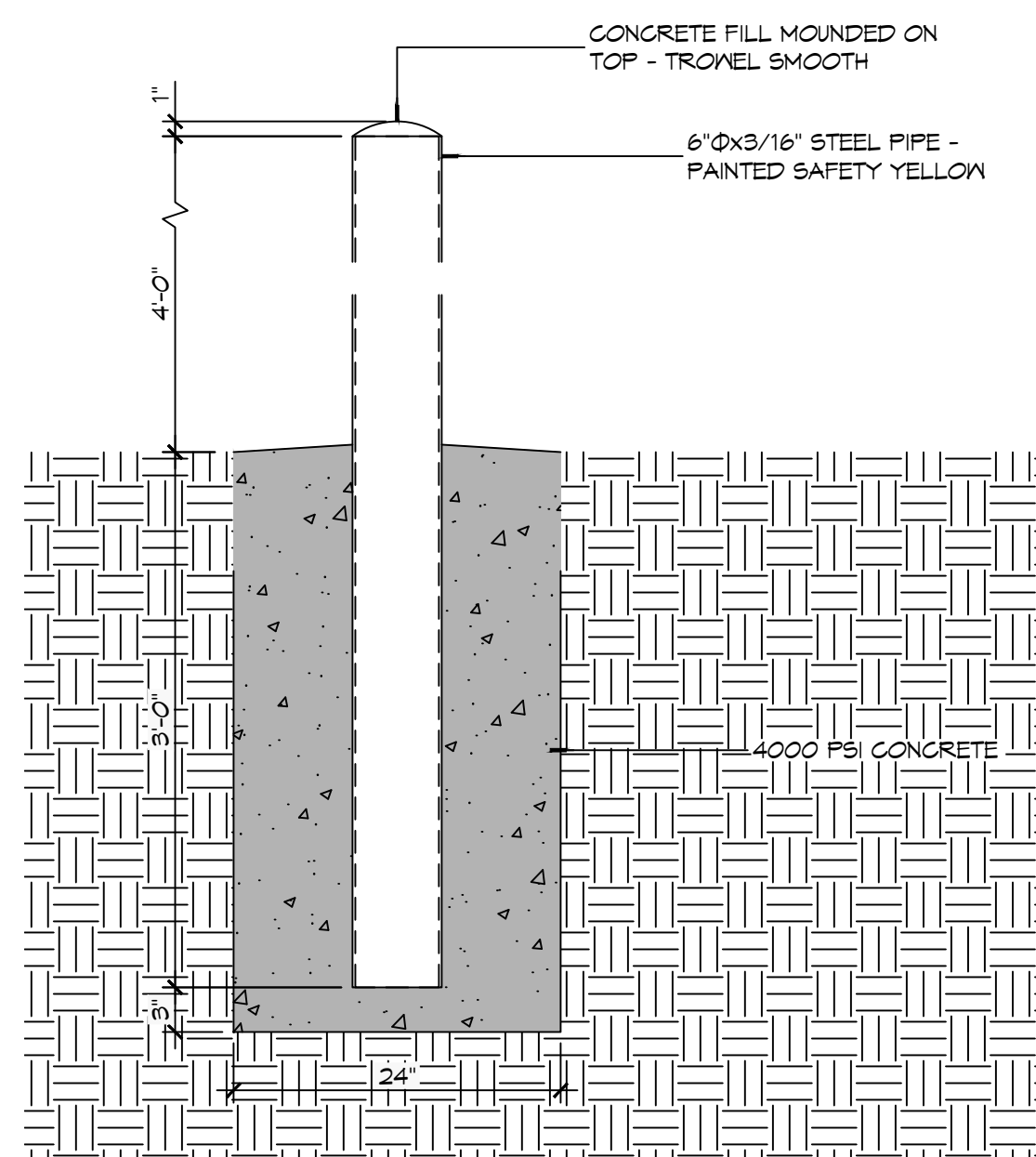
THE CONSTRUCTION FOR SAID RESIDENCE, WHERE WIND SPEED IS 140 MILES PER HOUR, WIND EXPOSURE ZONE B, IS DESIGNED IN ACCORDANCE WITH: AMERICAN FOREST AND PAPER ASSOCIATION (AF&PA) WOOD FRAME CONSTRUCTION MANUAL FOR ONE AND TWO FAMILY DWELLINGS (WFCM) 2001 EDITION AS WELL AS THE INTERNATIONAL RESIDENTIAL CODE (IRC) 2021 EDITION

DAMMON ENGINEERING, INC.
 LOUISIANA & MISSISSIPPI

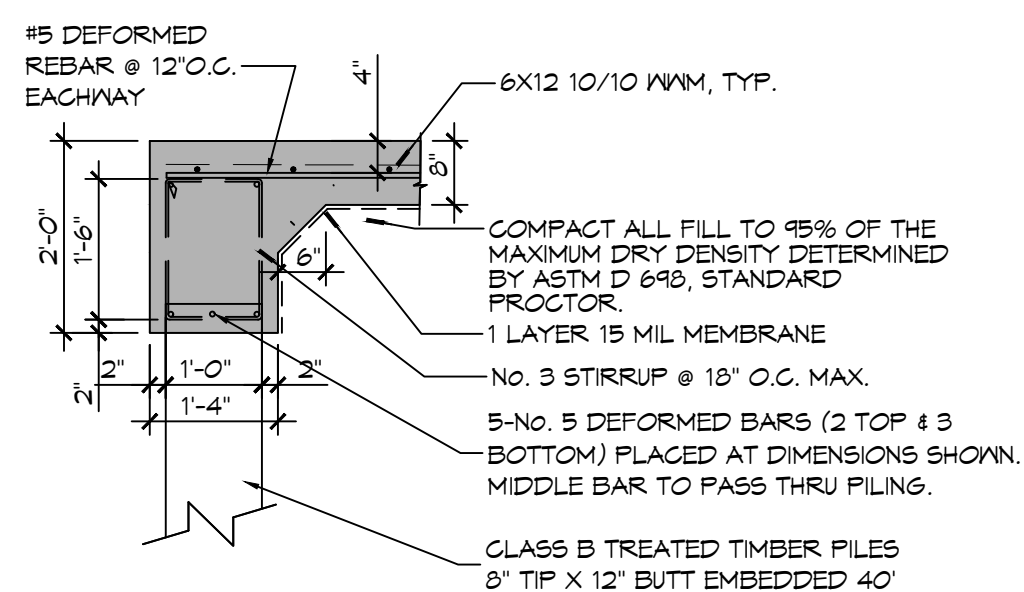
www.dammonengineering.com
 info@dammoneng.com
 Brian A. Miston, PE
 Sibley, LA 70488
 PH: 985.649.5832



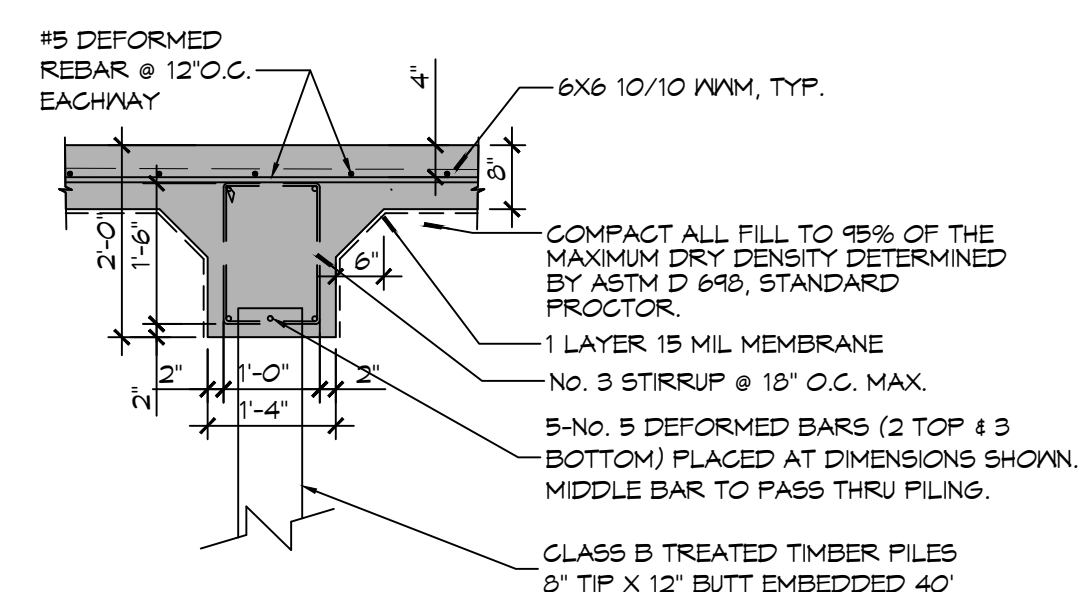
2 FOUNDATION PLAN
 SCALE: 3/8"=1'-0"



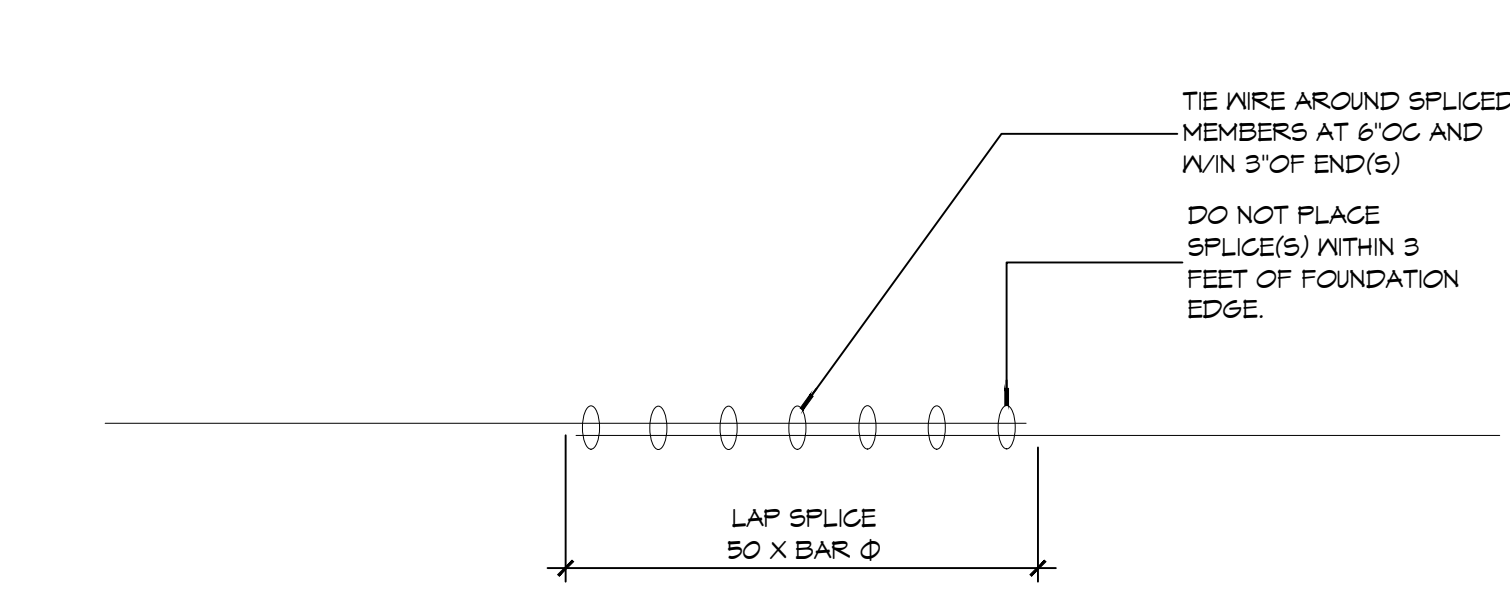
BOLLARD DETAIL
 SCALE: 1"=1'-0"



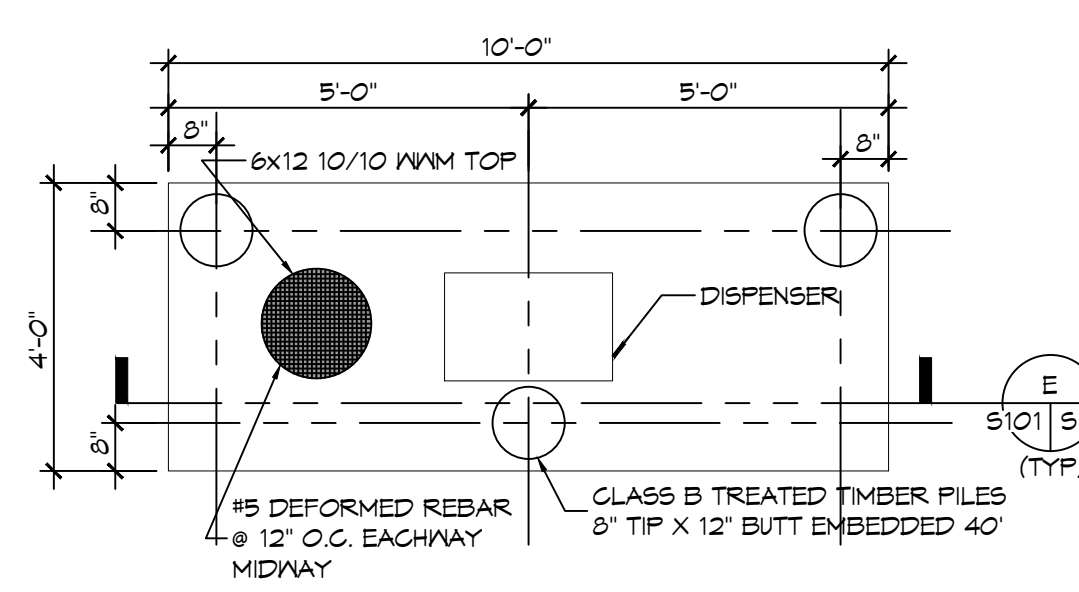
B SECTION
 SCALE: 1/2"=1'-0"



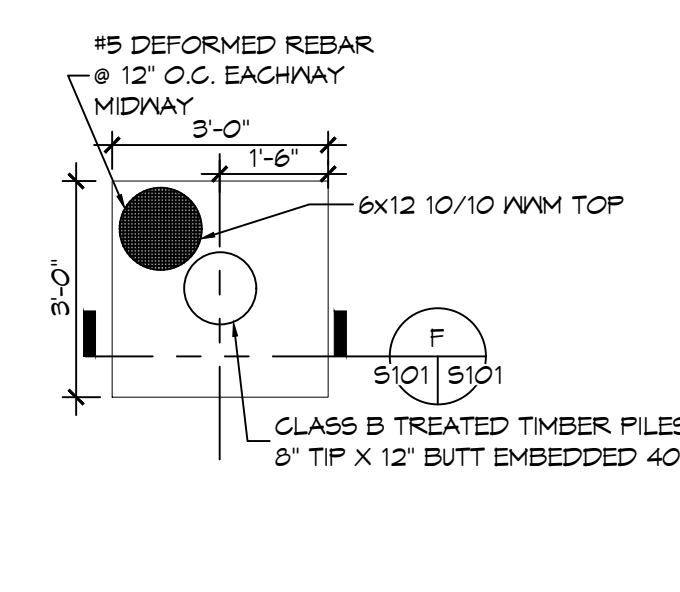
C SECTION
 SCALE: 1/2"=1'-0"



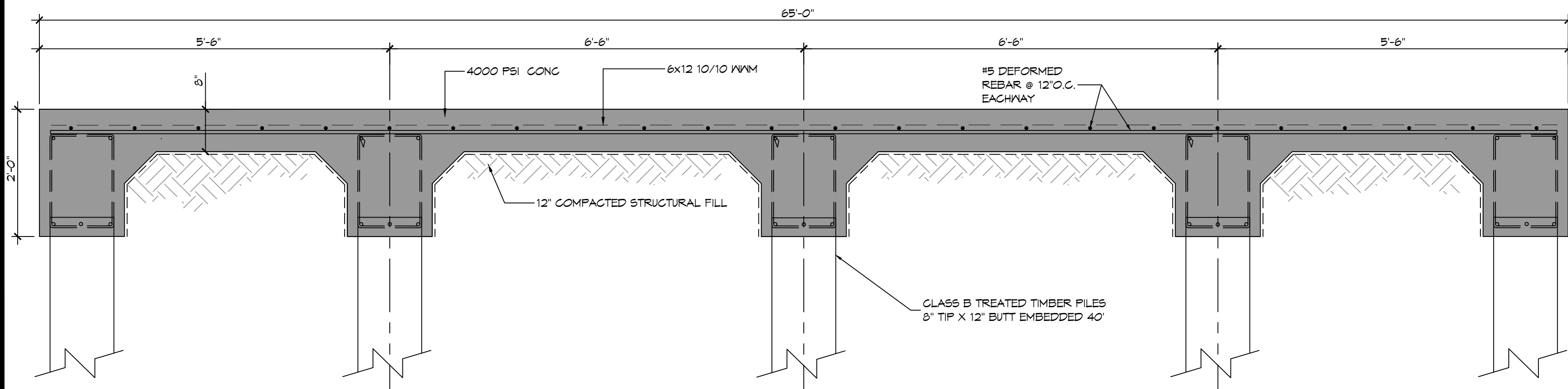
2 REBAR DETAIL
 SCALE: 1"=1'-0"



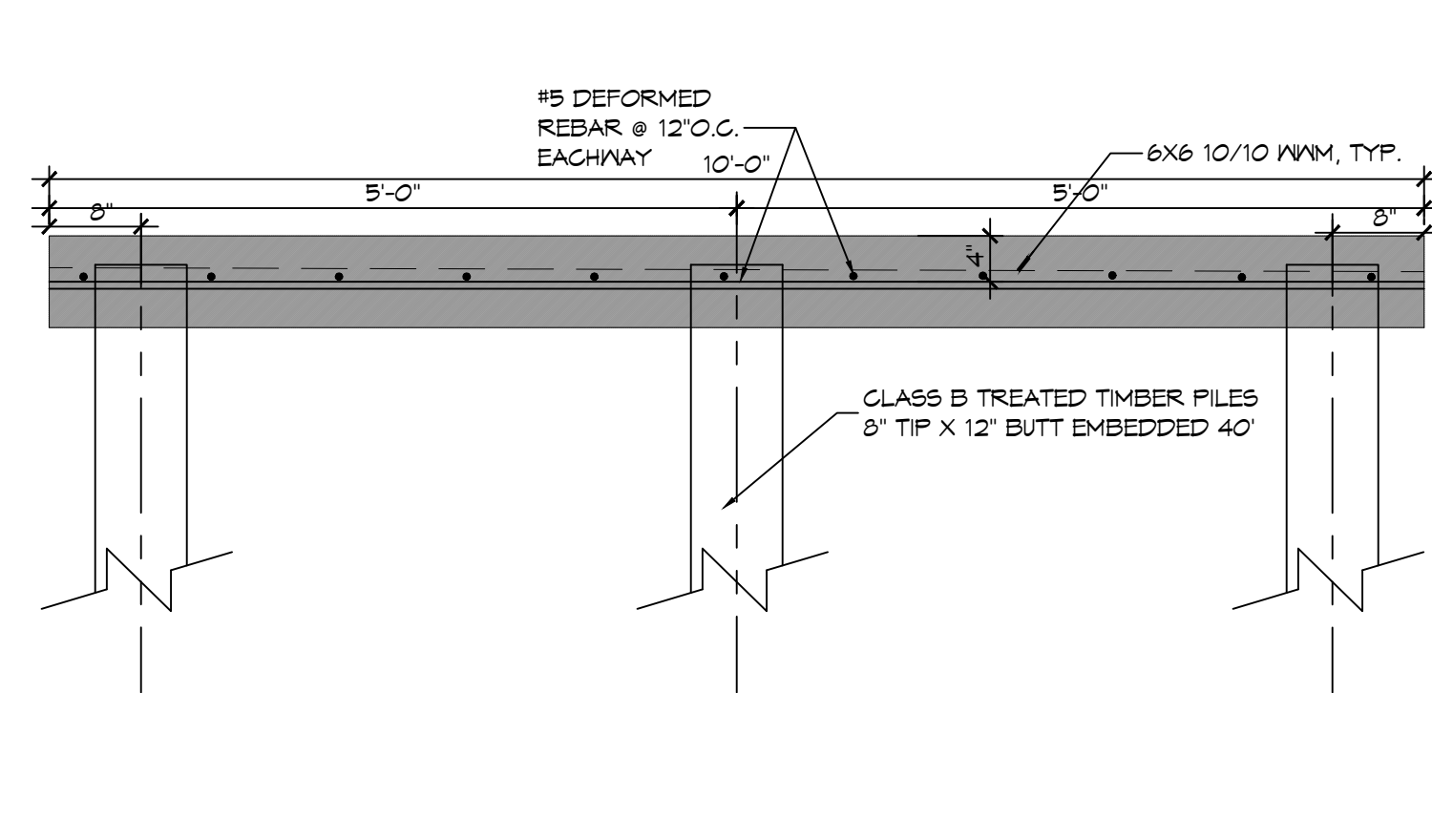
3 FOUNDATION PLAN
 SCALE: 3/8"=1'-0"



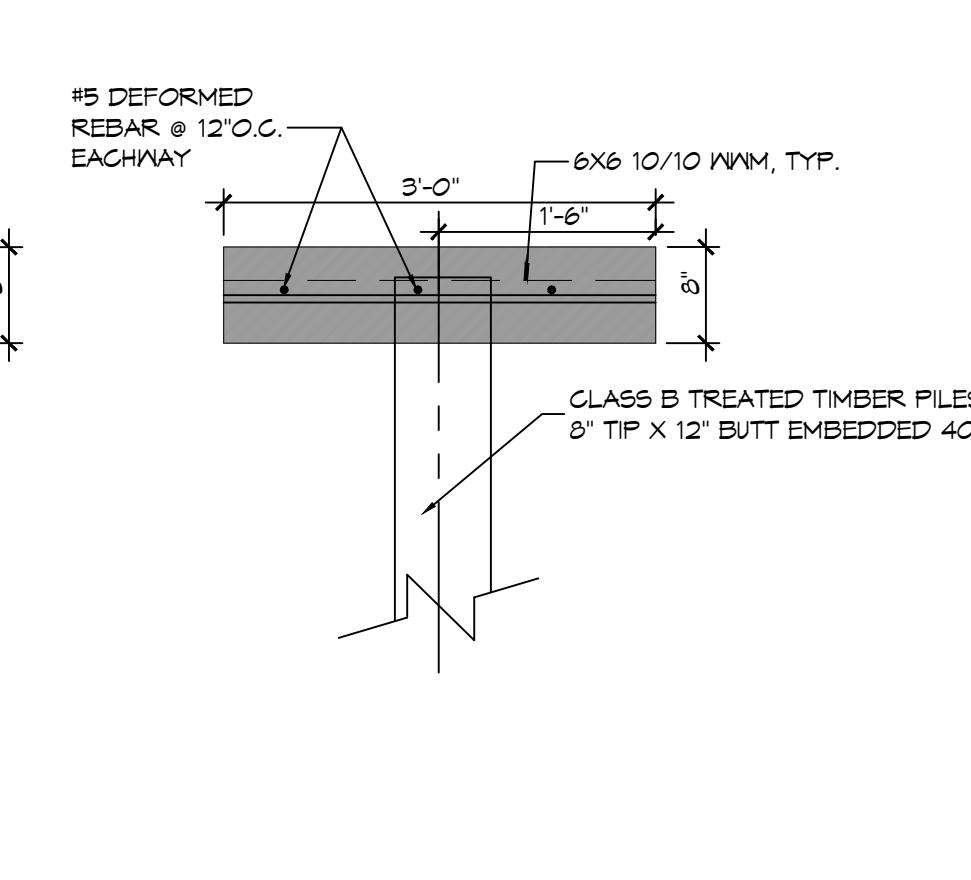
4 FOUNDATION PLAN
 SCALE: 3/8"=1'-0"



D FOUNDATION SECTION
 SCALE: 3/4"=1'-0"

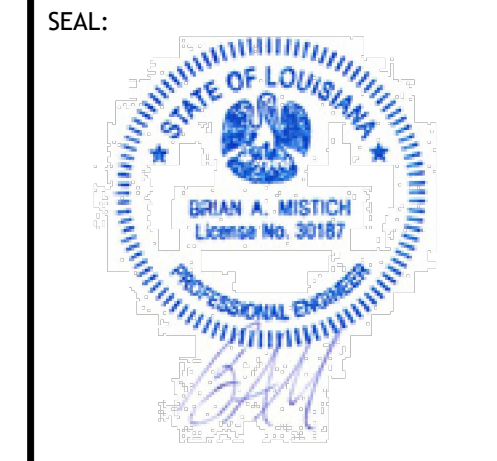


E FOUNDATION SECTION
 SCALE: 3/4"=1'-0"



F FDN SECTION
 SCALE: 3/4"=1'-0"

#	DESCRIPTION	DATE



NEW FUEL TANK FOUNDATION
FOGGY WATERS MARINA
 55041 LA-433
 BAYOU LIBERTY ROAD
 SUDELL, LA 70460
 JOB NO: 2024-15-2024
 DATE: 12-15-2024
 DRAWN BY: BAW
 CHECKED BY: C&D
 SHEET TITLE:
 FUEL TANK
 FOUNDATION PLAN
 DRAWING NUMBER:
S101
 SHEET No: 2 of 2