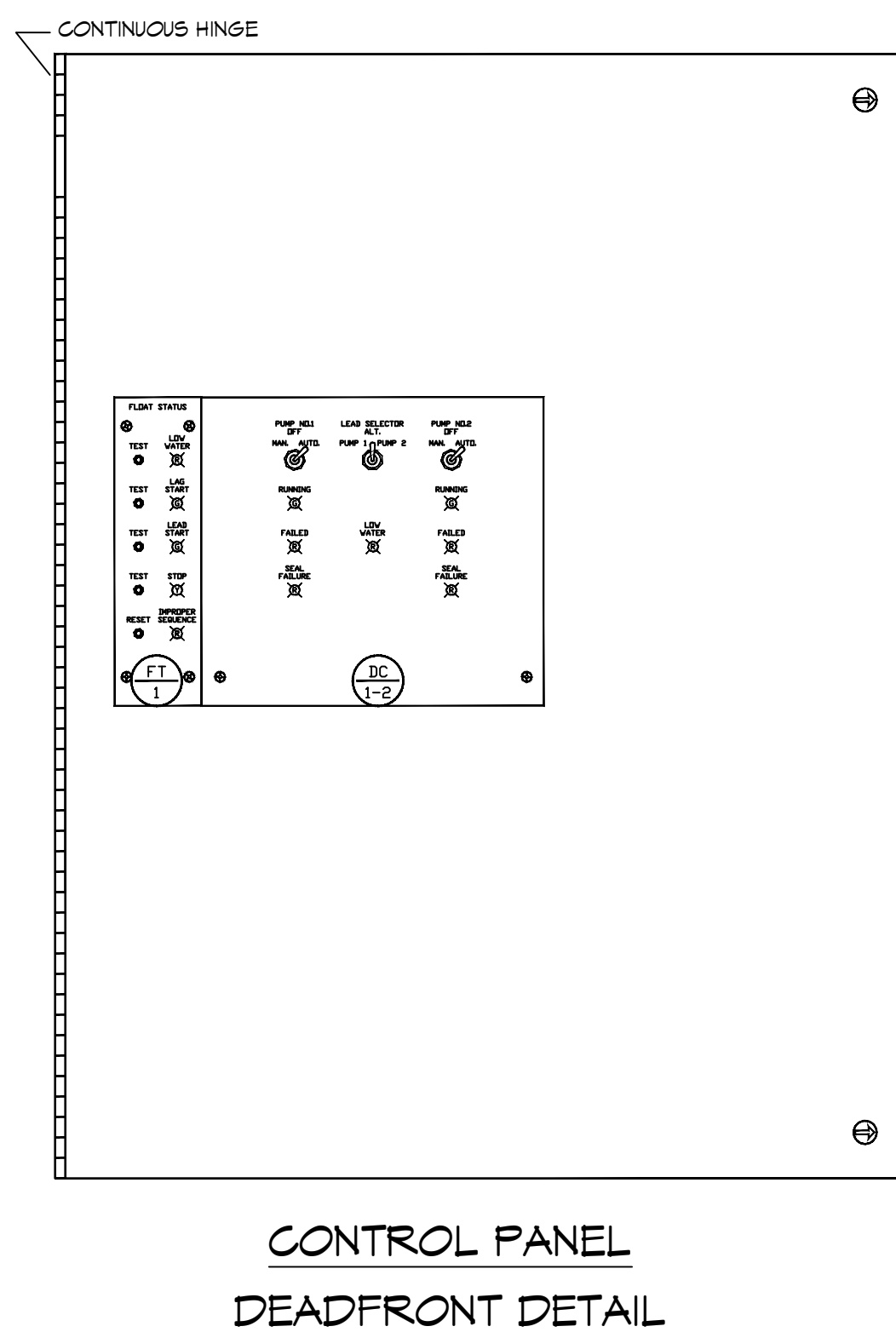
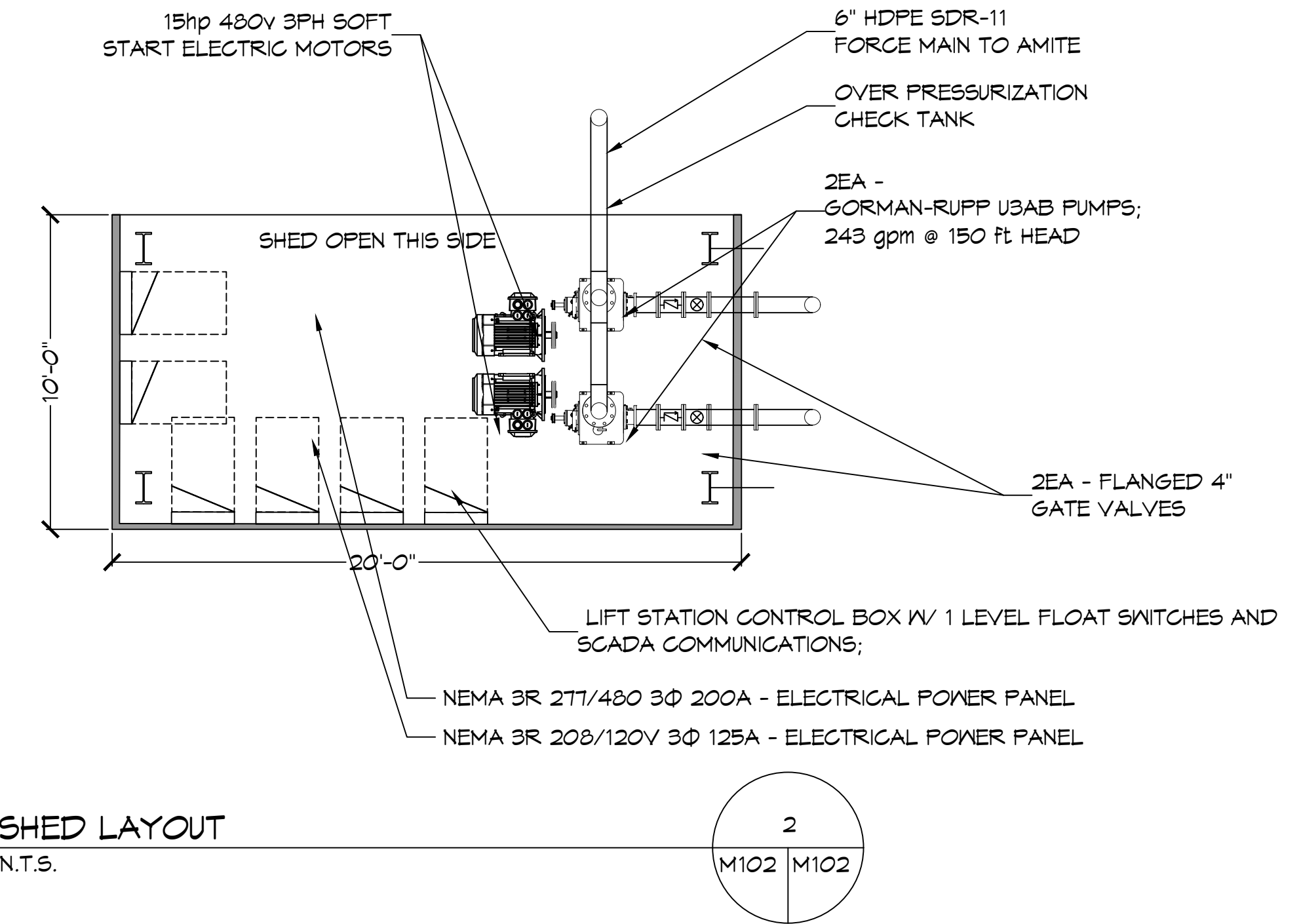
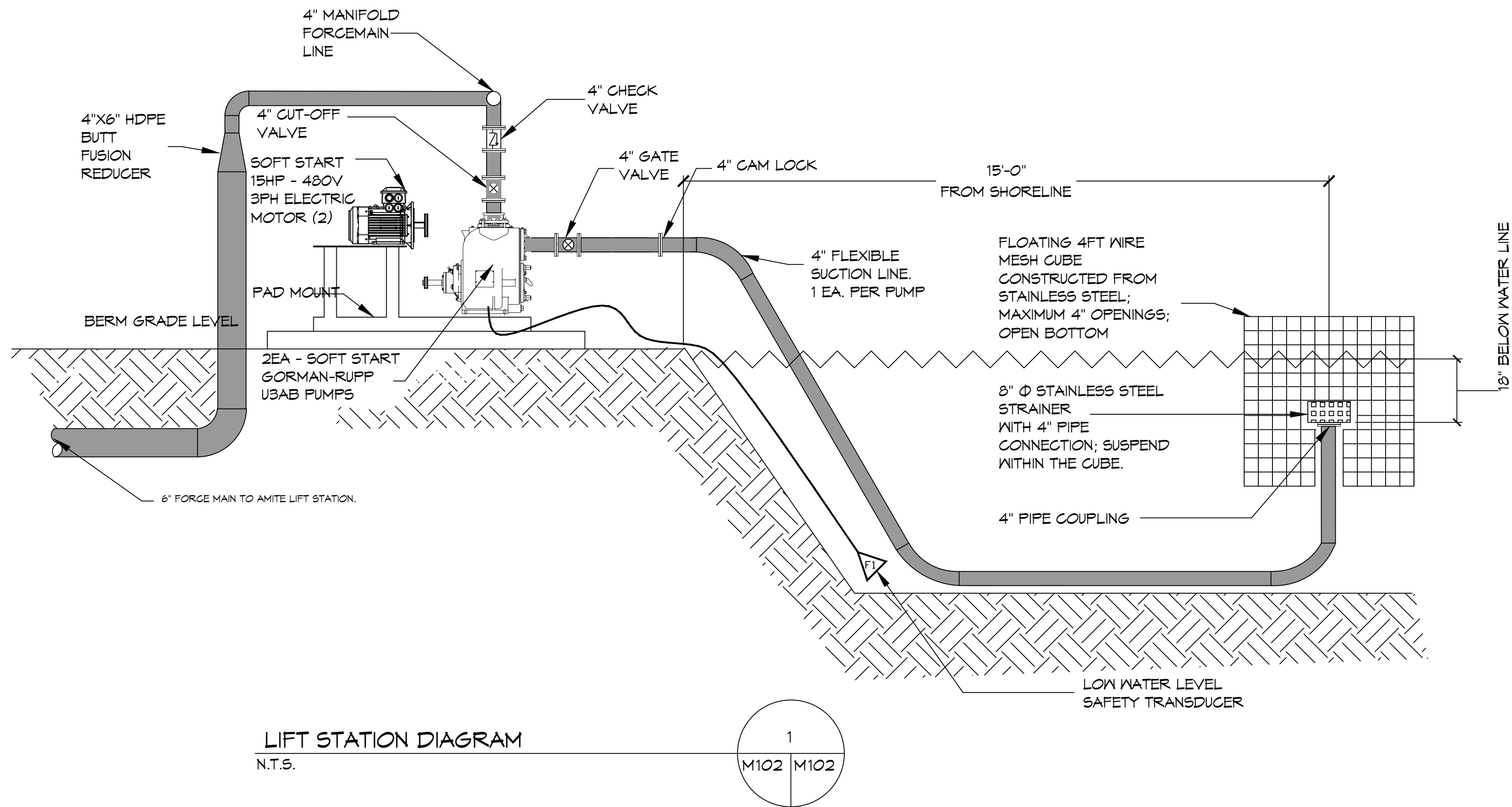
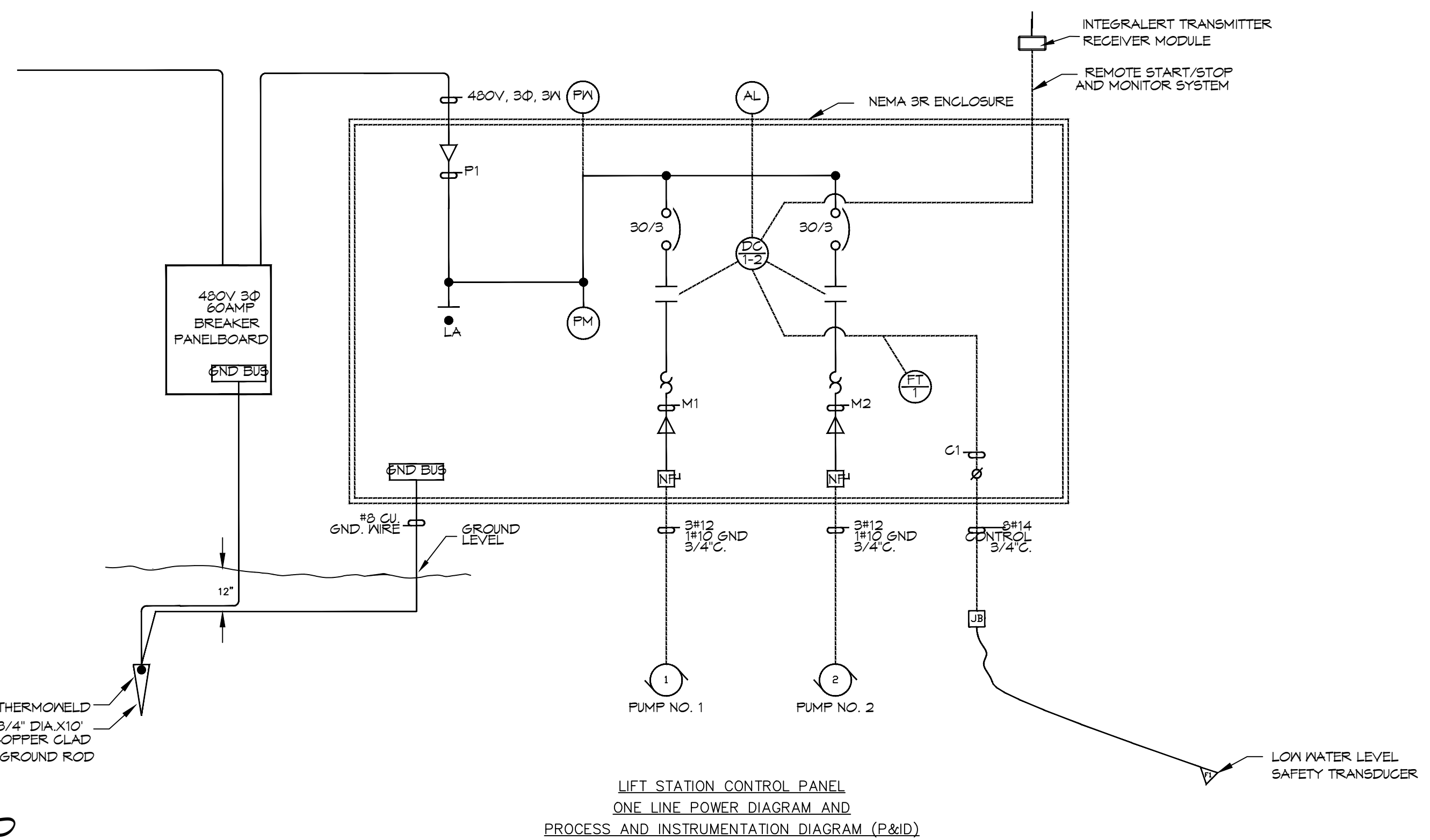
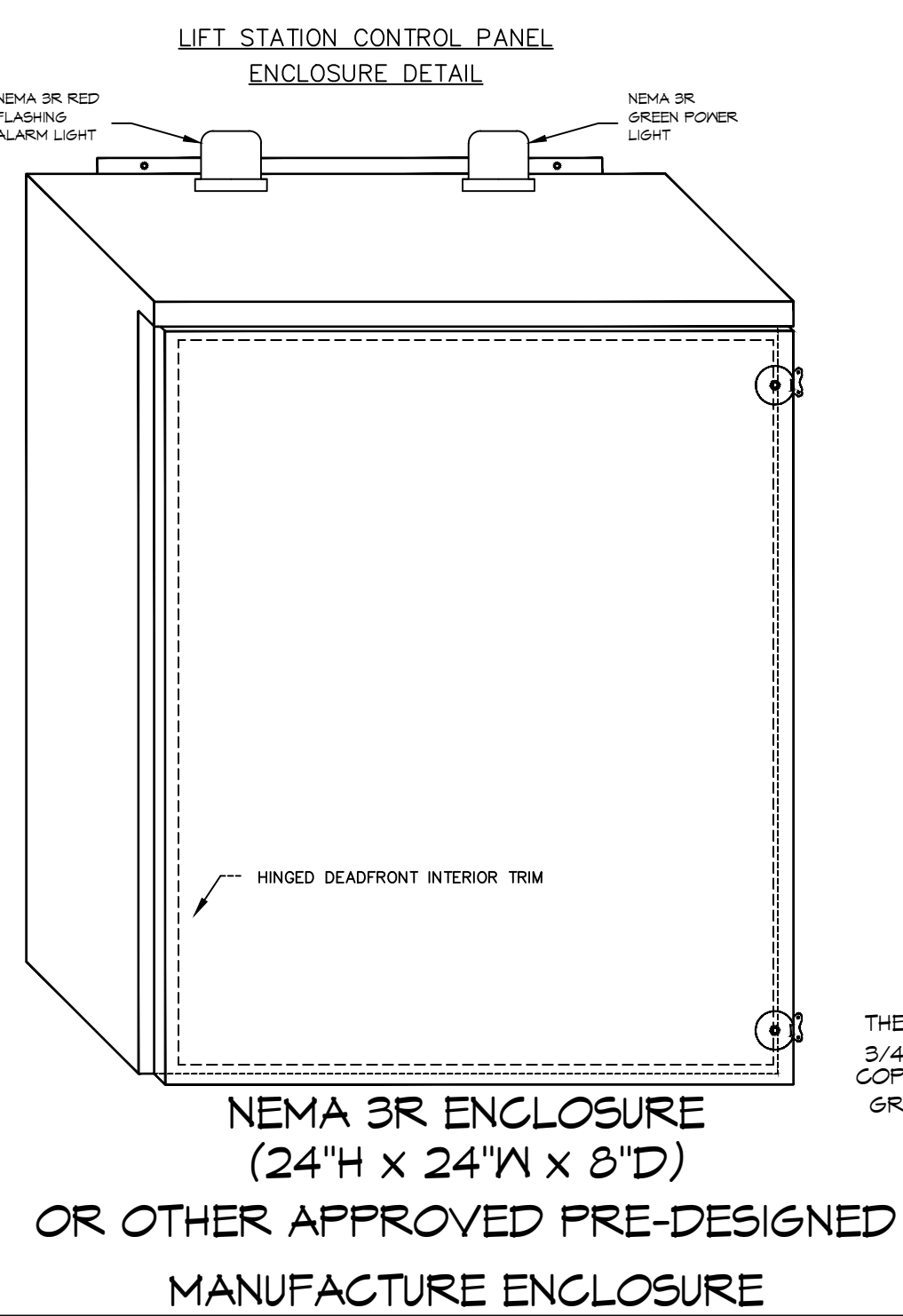


PRELIMINARY DRAWINGS

NOTE: NAMING A CERTAIN BRAND, MAKE OR MANUFACTURER IS TO DESIGNATE THE GENERAL STYLE, TYPE, CHARACTER AND QUALITY STANDARD OF THE PRODUCT DESIRED. SUBSTITUTION REQUESTS MUST BE SUBMITTED PRIOR TO BIDDING.



- LEGEND**
- LA LIGHTNING ARRESTOR - SEE COMPONENT SPECIFICATIONS
 - PM PHASE MONITOR - SEE COMPONENT SPECIFICATIONS
 - DC DUPLEX CONTROLLER - SEE COMPONENT SPECIFICATIONS
 - FT FLOAT TEST - SEE COMPONENT SPECIFICATIONS
 - AL ALARM LIGHT - SEE COMPONENT SPECIFICATIONS
 - PV POWER LIGHT - SEE COMPONENT SPECIFICATIONS



DAMMON ENGINEERING, INC.
LOUISIANA & MISSISSIPPI
www.dammonengineering.com
554 Old Spanish Trail
Slidell, LA 70458
PH: 985.649.5832

#	DESCRIPTION	DATE

SEAL: _____

NEW FORCEMAIN
TANGIPAHOA PARISH LANDFILL
AMITE, LA
JOB No: 2440 DATE: 9-26-2024
DRAWN BY: _____ CHECKED BY: _____

SHEET TITLE:
LIFT STATION DETAILS @ OXIDATION POND

DRAWING NUMBER:
M102

SHEET No: 3 of 6