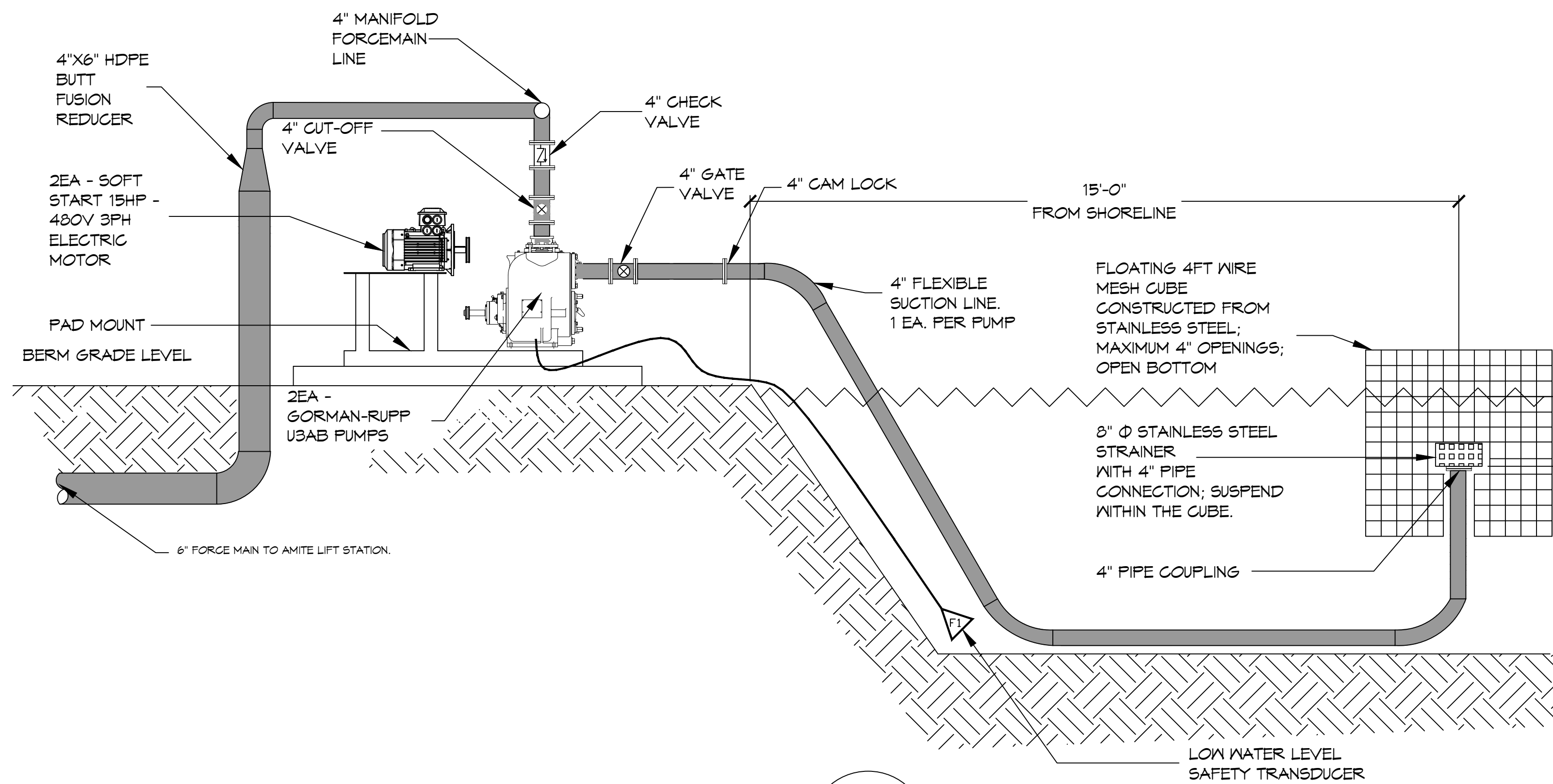
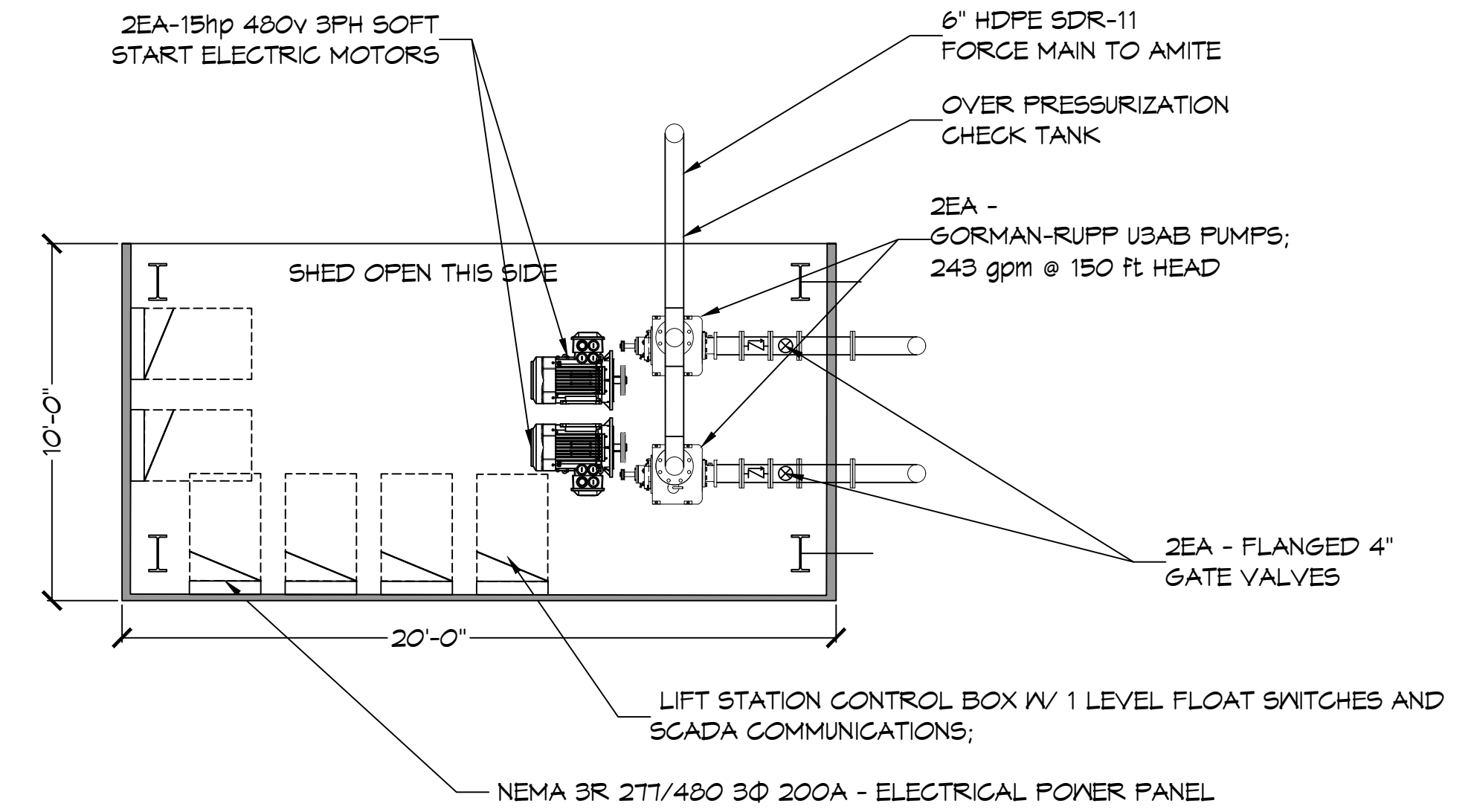
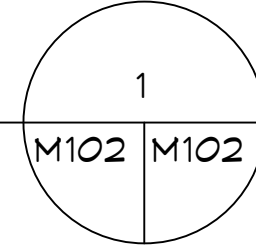


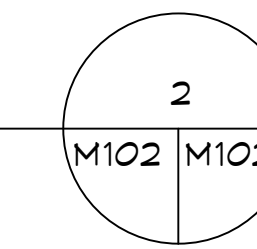
02 - M102 - L1 - DAMMON ENGINEERING, INC. - Tangipahoa Parish Landfill Oxidation Pond Lift Station Details - 5/8/2024 - 15:00



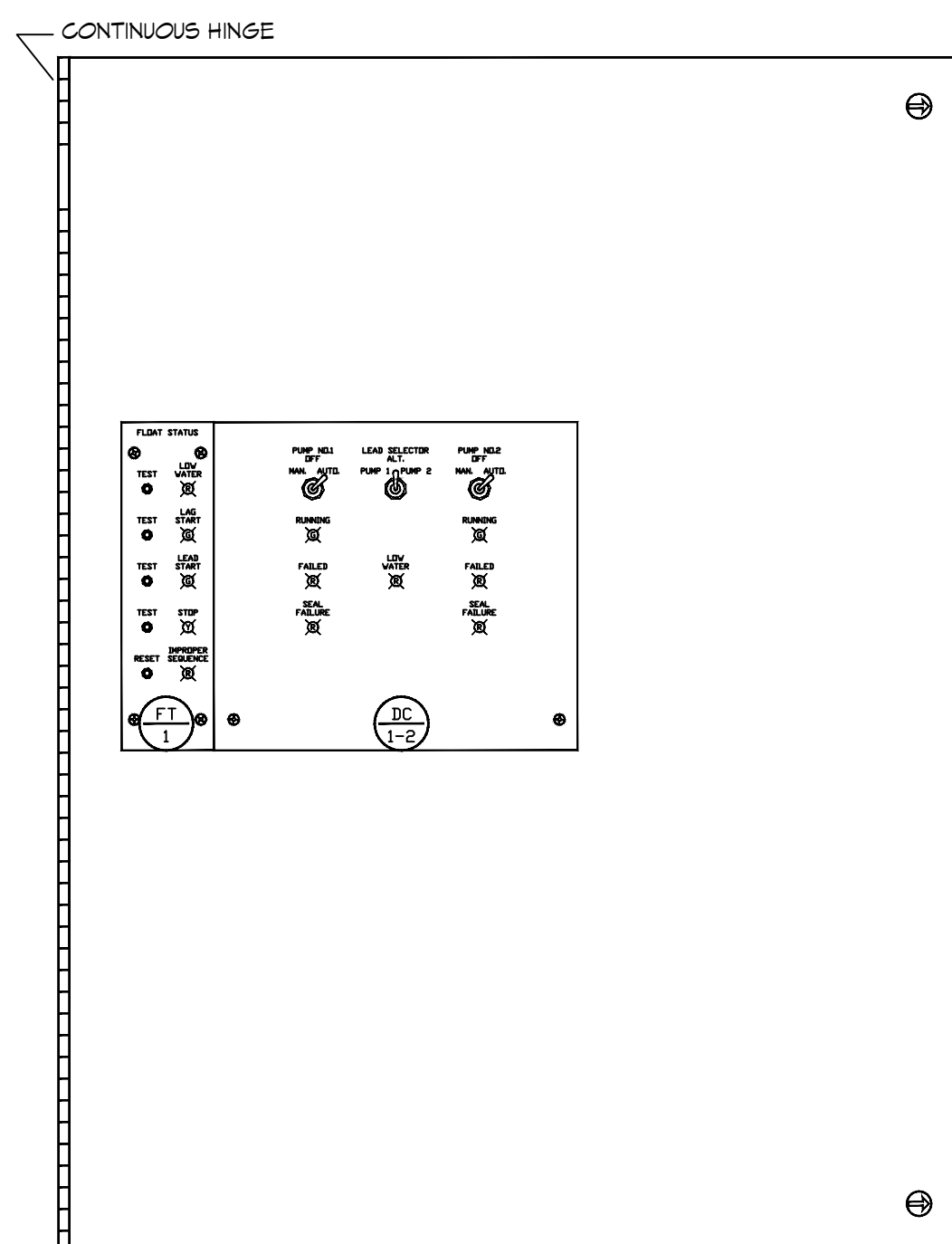
LIFT STATION DIAGRAM
N.T.S.



SHED LAYOUT
N.T.S.

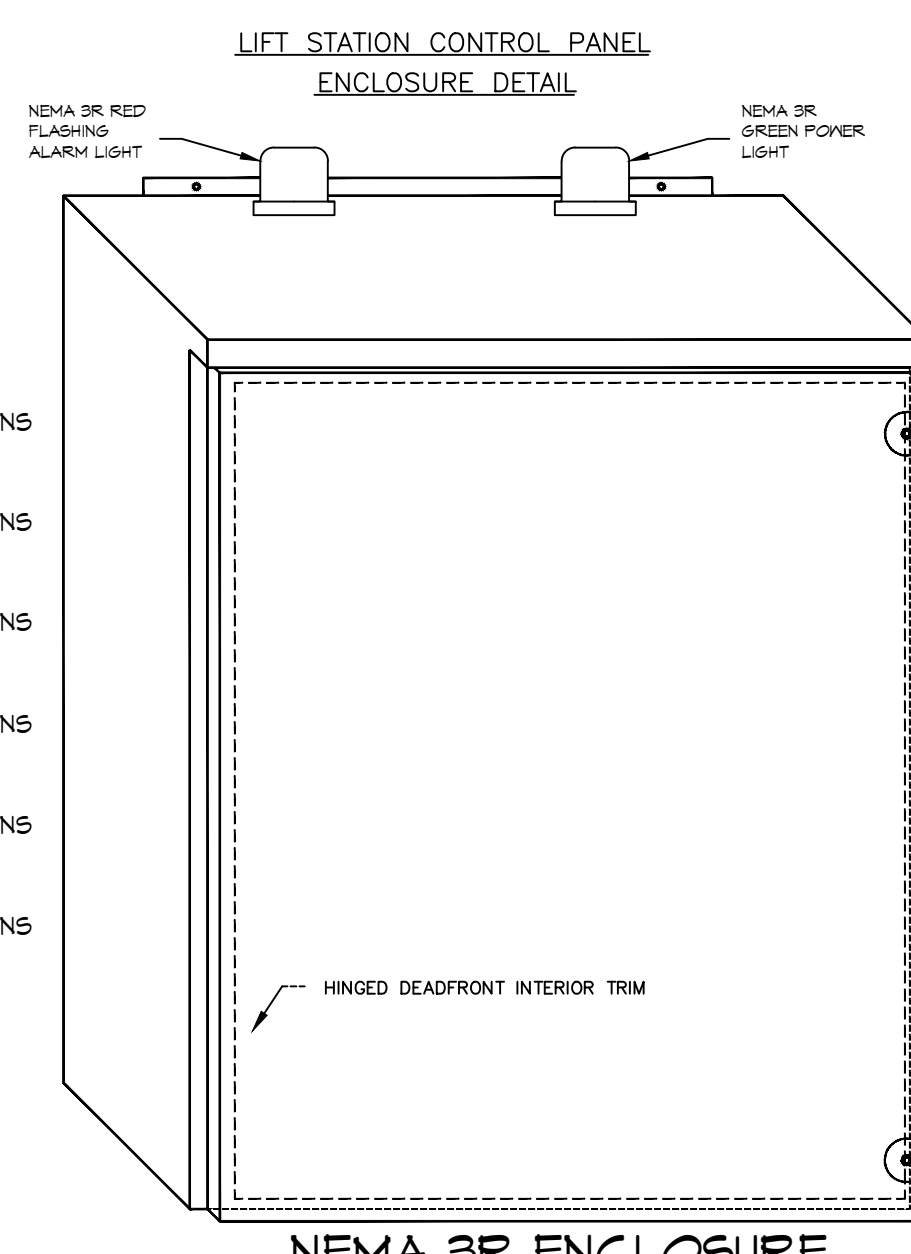


NOTE: NAMING A CERTAIN BRAND, MAKE OR MANUFACTURER IS TO DESIGNATE THE GENERAL STYLE, TYPE, CHARACTER AND QUALITY STANDARD OF THE PRODUCT DESIRED. SUBSTITUTION REQUESTS MUST BE SUBMITTED PRIOR TO BIDDING.

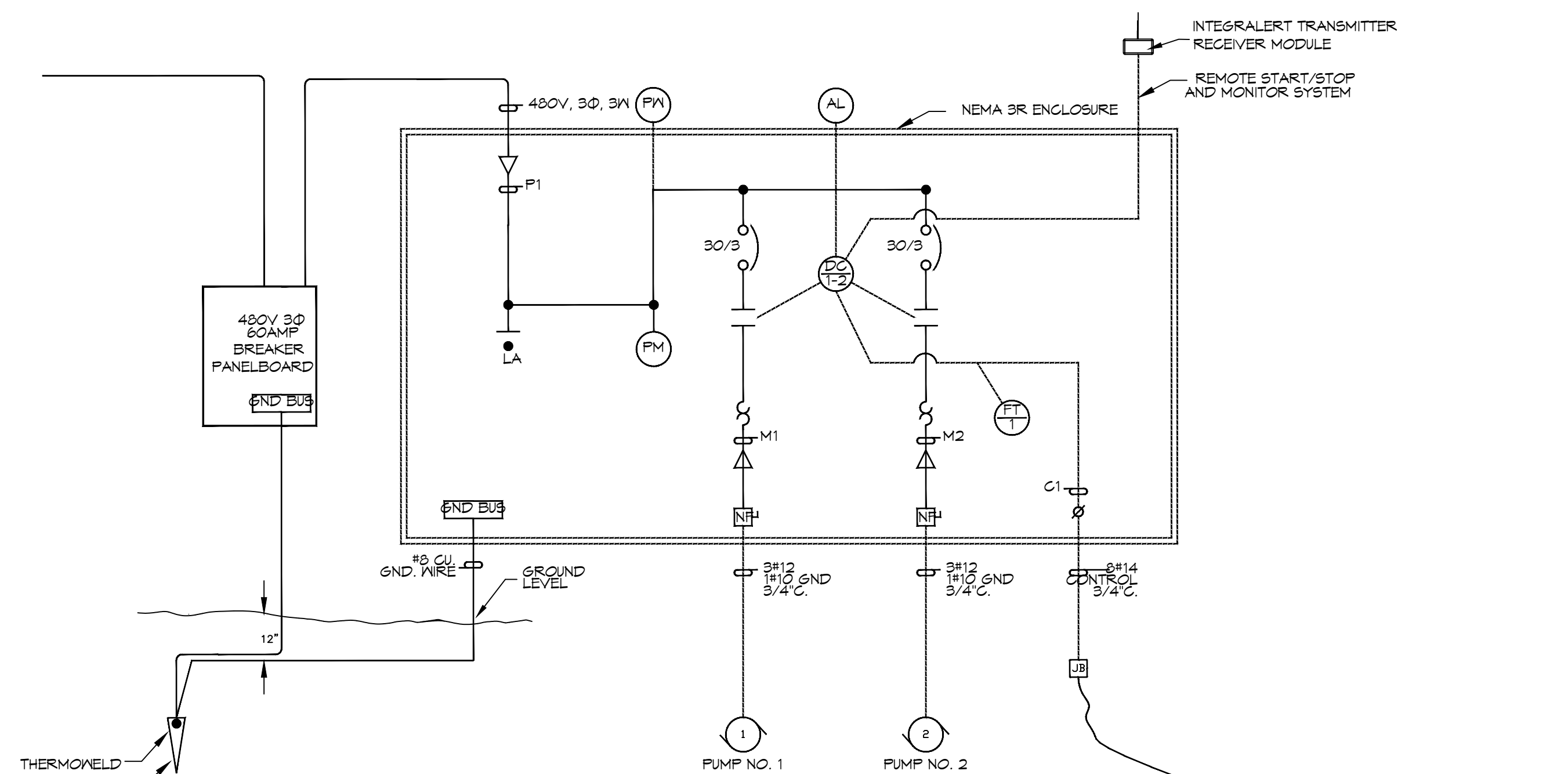


CONTROL PANEL
DEADFRONT DETAIL

- LEGEND
- LIGHTNING ARRESTOR - SEE COMPONENT SPECIFICATIONS
 - PHASE MONITOR - SEE COMPONENT SPECIFICATIONS
 - DUPLEX CONTROLLER - SEE COMPONENT SPECIFICATIONS
 - FLOAT TEST - SEE COMPONENT SPECIFICATIONS
 - ALARM LIGHT - SEE COMPONENT SPECIFICATIONS
 - POWER LIGHT - SEE COMPONENT SPECIFICATIONS



NEMA 3R ENCLOSURE
(24" H x 24" W x 8" D)
OR OTHER APPROVED PRE-DESIGNED
MANUFACTURE ENCLOSURE



LIFT STATION CONTROL PANEL
ONE LINE POWER DIAGRAM AND
PROCESS AND INSTRUMENTATION DIAGRAM (P&ID)

DAMMON ENGINEERING, INC.
 LOUISIANA & MISSISSIPPI
 Chief Engineer: Brian Mistich, PE
 www.dammonengineering.com
 info@dammonengineering.com
 554 Old Spanish Trail
 Slidell, LA 70458
 PH: 985.649.5832

#	DESCRIPTION	DATE



NEW FORCEMAIN
TANGIPAHOA PARISH LANDFILL
 AMITE CITY, LA
 JOB No: 2490
 DATE: 5-8-2024
 DRAWN BY: BMY
 CHECKED BY: DFP

SHEET TITLE:
 LIFT STATION DETAILS @
 OXIDATION POND
 DRAWING NUMBER:
M102
 SHEET No: 4 of 7