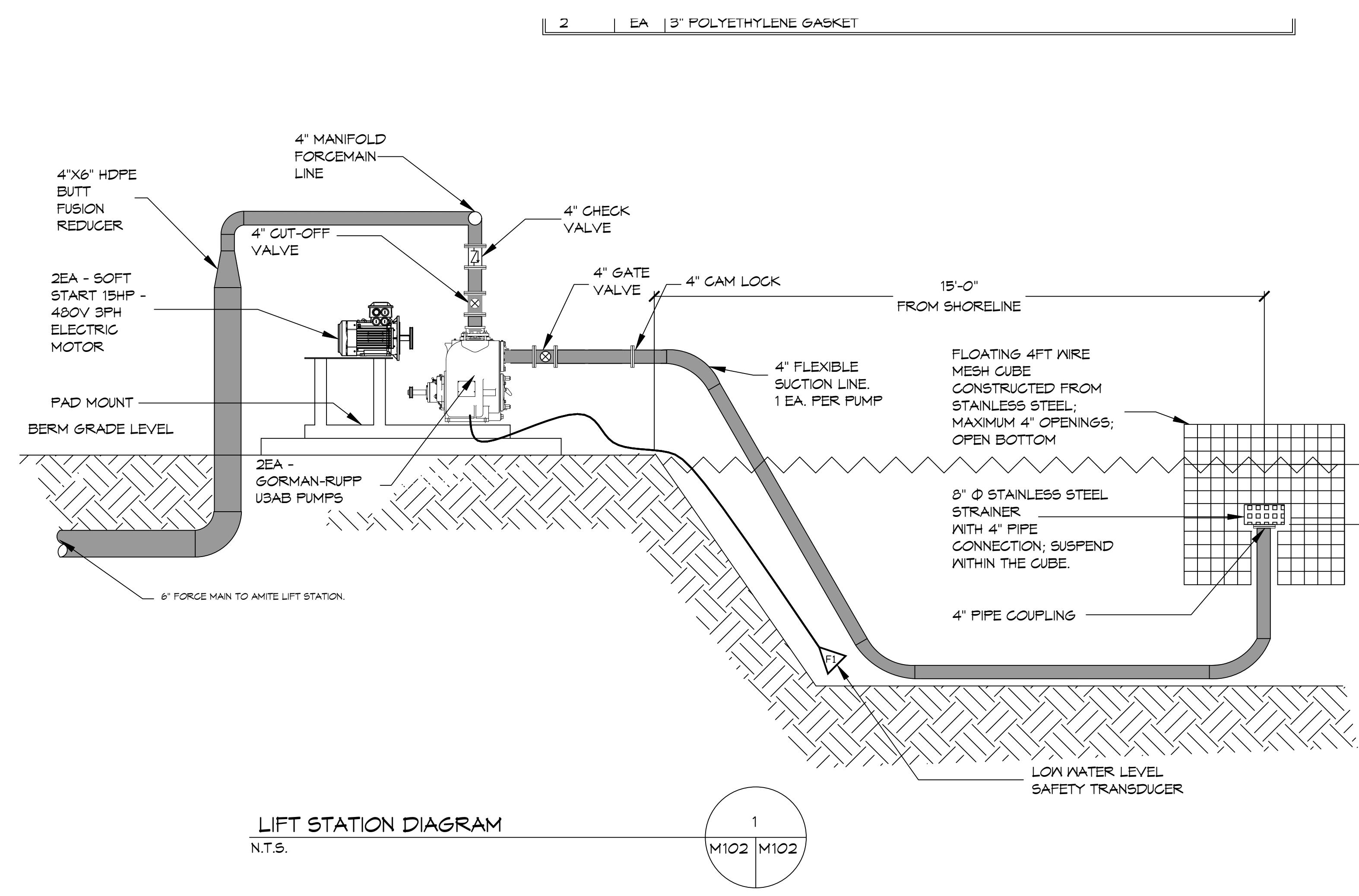
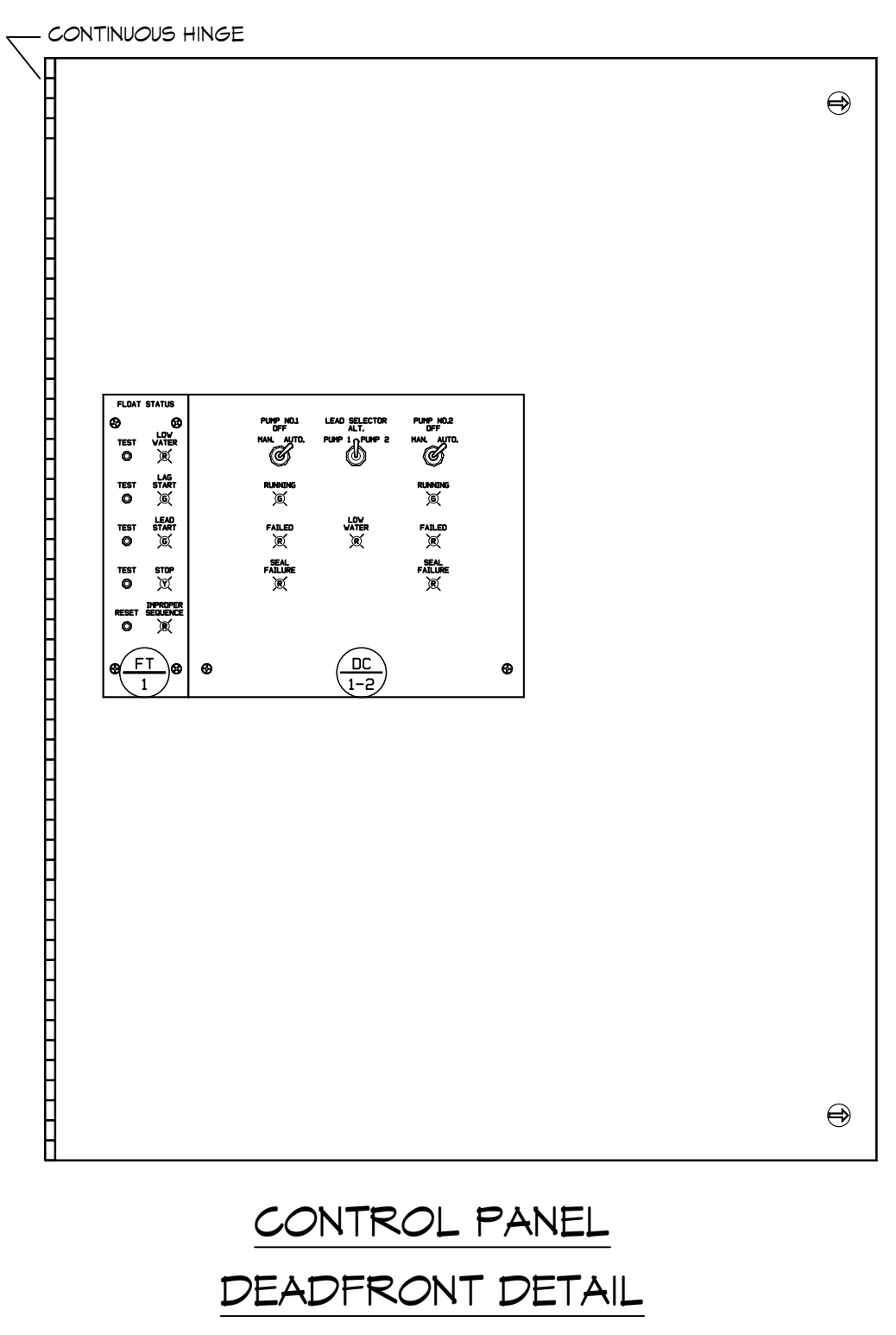
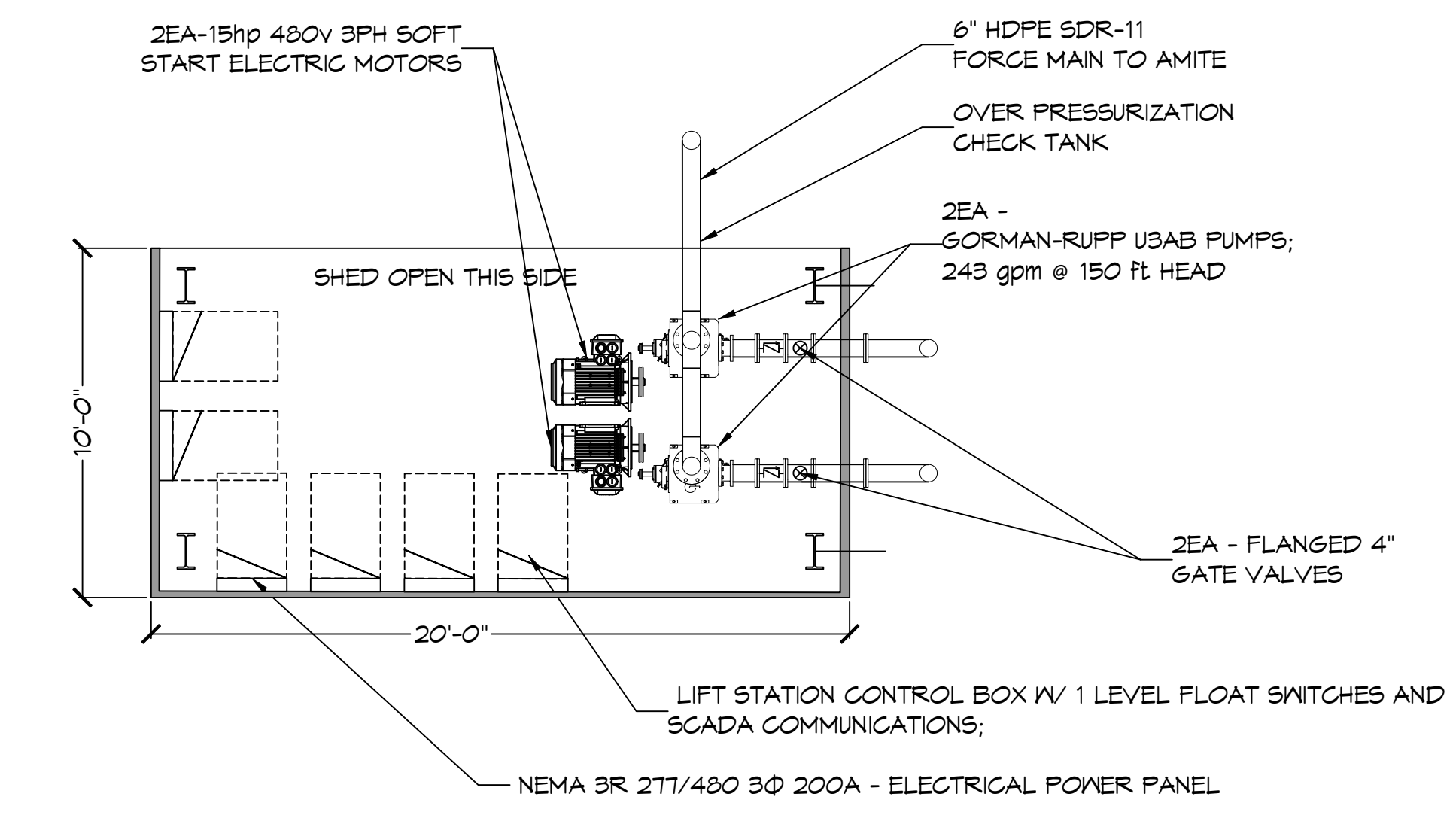


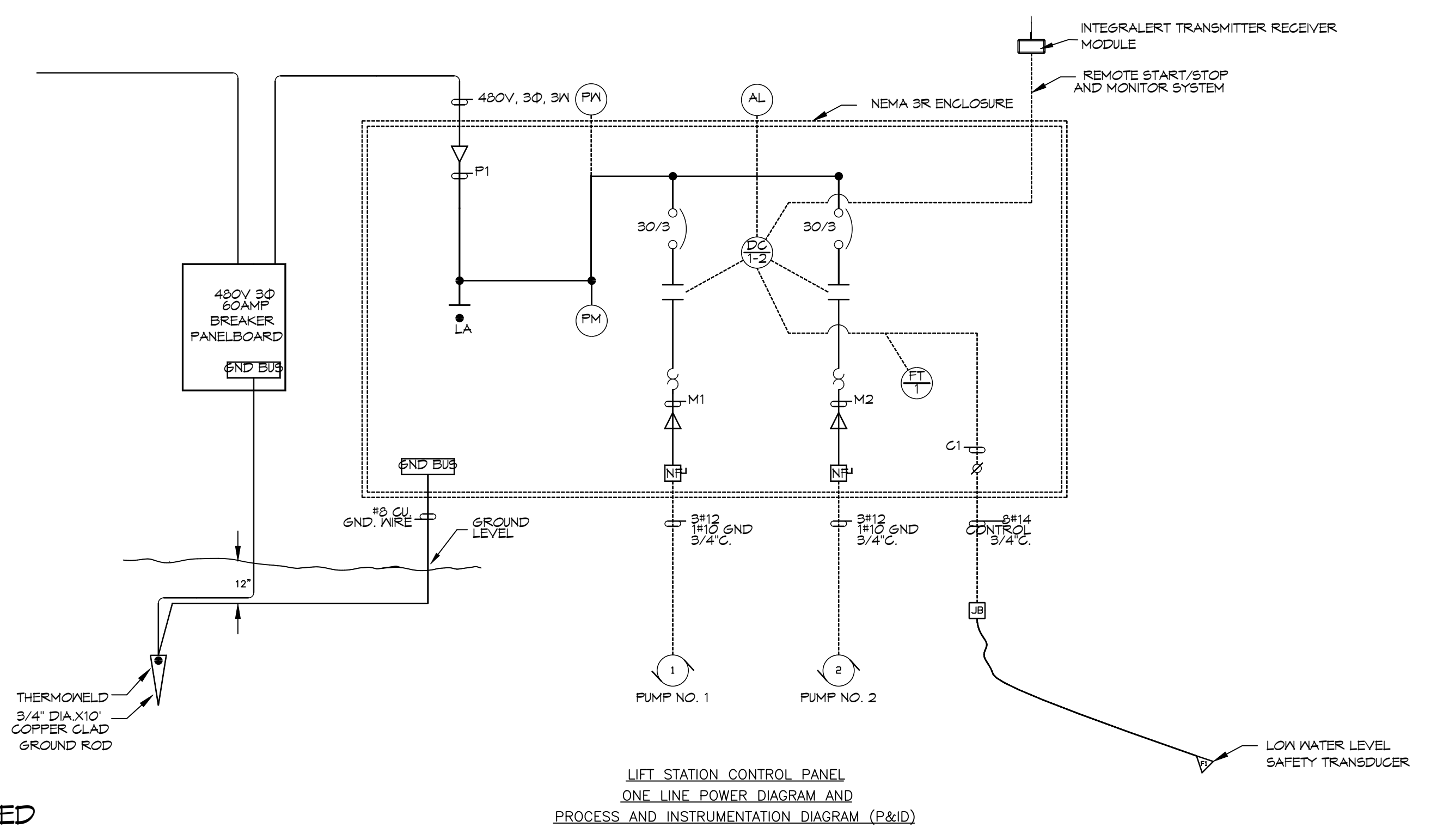
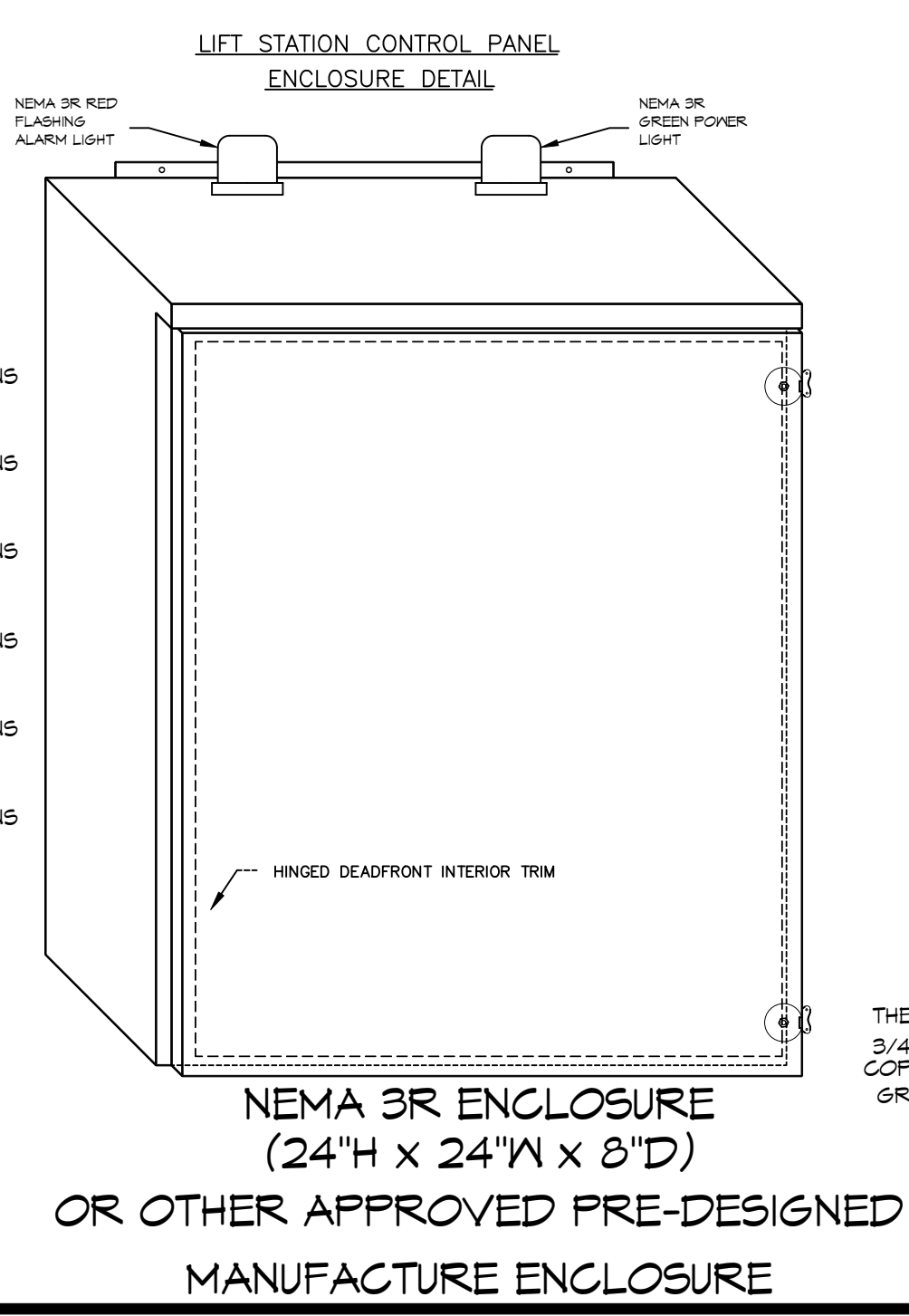
D:\WORK\11\_Summary\1102 - Tangifahoa Landfill\1102 - Oxidation Pond\1102 - Oxidation Pond.dwg, Date: 02/21/2025, Time: 10:54 AM, User: bdammon



NOTE: NAMING A CERTAIN BRAND, MAKE OR MANUFACTURER IS TO DESIGNATE THE GENERAL STYLE, TYPE, CHARACTER AND QUALITY STANDARD OF THE PRODUCT DESIRED. SUBSTITUTION REQUESTS MUST BE SUBMITTED PRIOR TO BIDDING.



- LEGEND**
- ⚡ LIGHTNING ARRESTOR - SEE COMPONENT SPECIFICATIONS
  - PM PHASE MONITOR - SEE COMPONENT SPECIFICATIONS
  - DC DUPLEX CONTROLLER - SEE COMPONENT SPECIFICATIONS
  - FT FLOAT TEST - SEE COMPONENT SPECIFICATIONS
  - AL ALARM LIGHT - SEE COMPONENT SPECIFICATIONS
  - PV POWER LIGHT - SEE COMPONENT SPECIFICATIONS



**DAMMON ENGINEERING, INC.**  
 LOUISIANA & MISSISSIPPI  
 www.dammonengineering.com  
 info@dammonengineering.com  
 Chief Engineer: Brian Mistich, PE  
 554 Old Spanish Trail  
 Slidell, LA 70458  
 PH: 985.649.5832

#	DESCRIPTION	DATE



**NEW FORCEMAIN**  
**TANGIFAOA PARISH LANDFILL**  
 AMITE CITY, LA  
 JOB No: 2440 DATE: 2-21-2025  
 DRAWN BY: PPD CHECKED BY: BV

SHEET TITLE:  
**LIFT STATION DETAILS @ OXIDATION POND**  
 DRAWING NUMBER:  
**M102**  
 SHEET No: 4 of 7