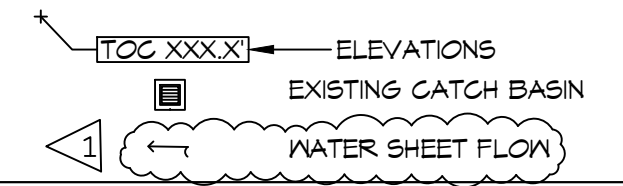


**DRAINAGE & UTILITY SITE PLAN**  
SCALE: 1" = 10'-0"

**DRAINAGE NOTES**

- CONTRACTOR SHALL PROVIDE ALL LABOR, MATERIAL, TRANSPORTATION, SUPERVISION, CLEAN-UP, SERVICES, AND EQUIPMENT FOR A COMPLETE OPERATING SYSTEM.
- PROVIDE POSITIVE DRAINAGE AWAY FROM BLDG AND SHALL SLOPE TOWARDS EXISTING DITCHES AND CULVERTS.

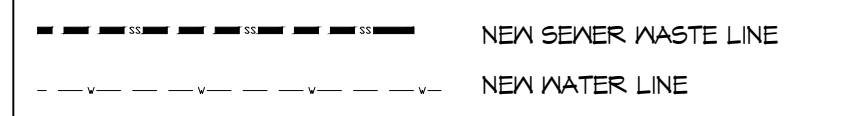
**DRAINAGE LEGEND**



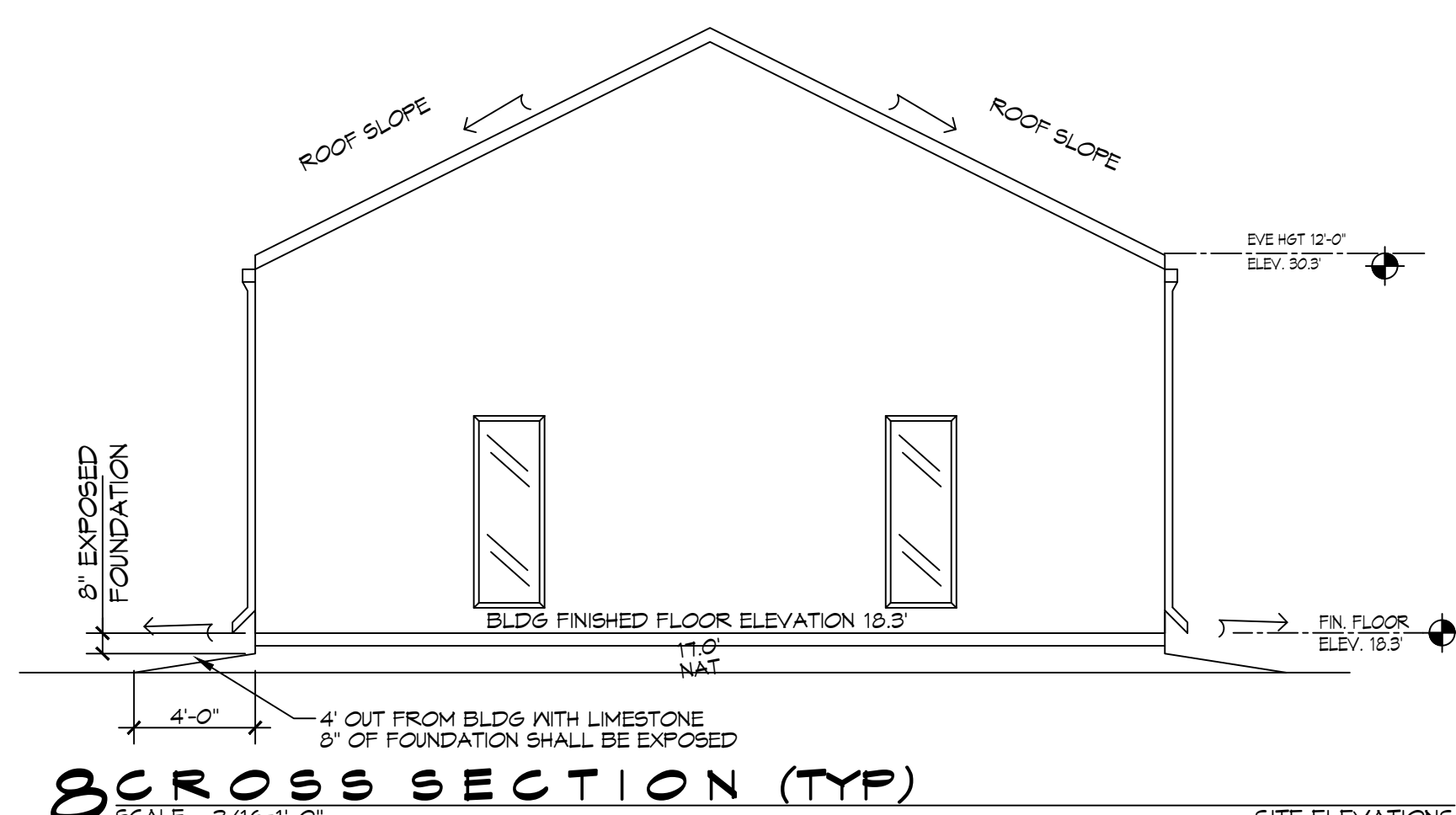
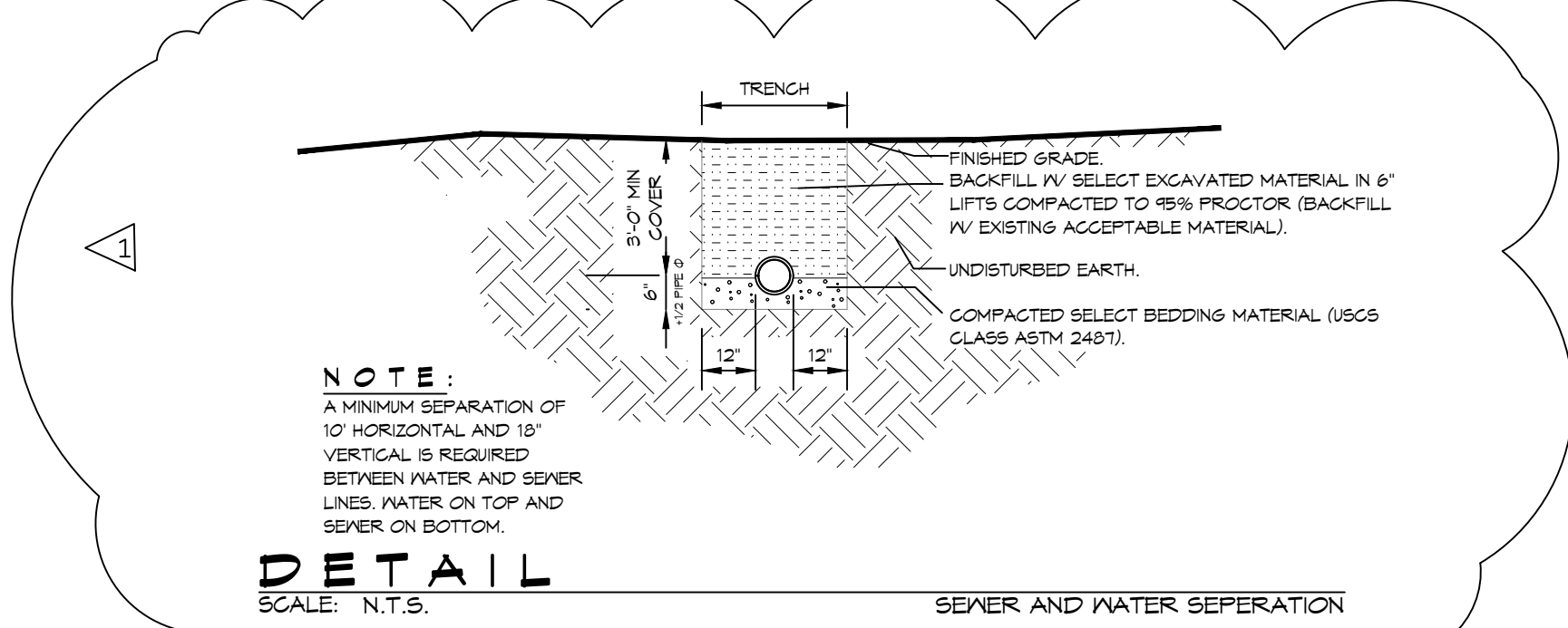
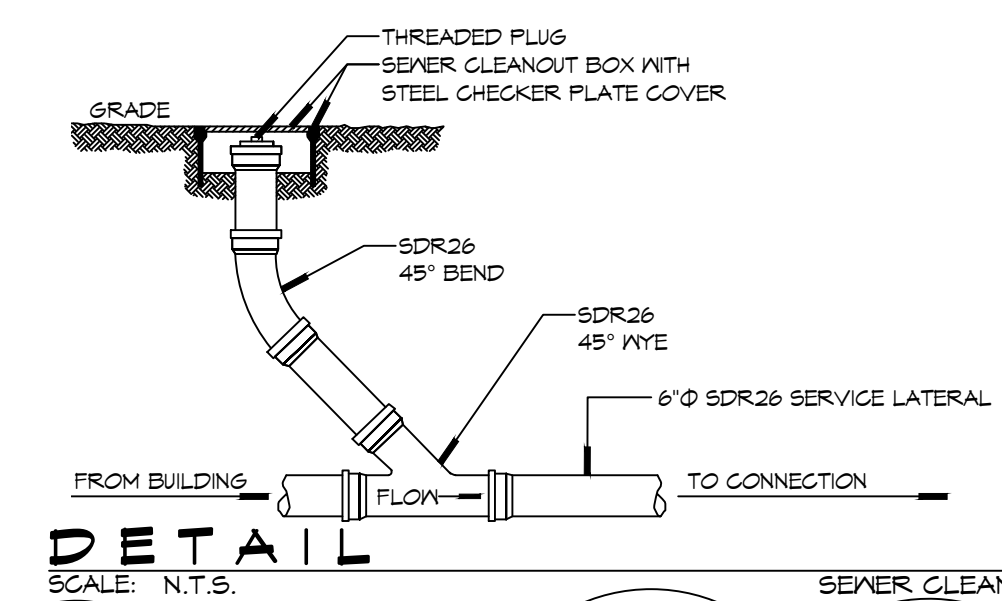
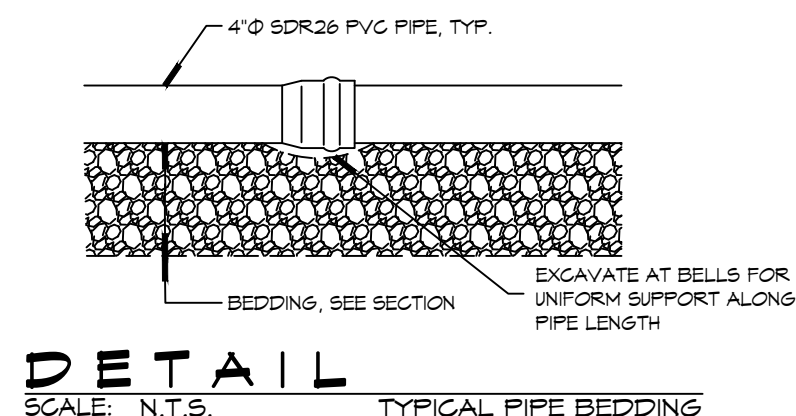
**GENERAL SITE NOTES**

- PROVIDE ALL LABOR, MATERIAL AND EQUIPMENT FOR A COMPLETE OPERATING SYSTEM. CONTRACTOR IS TO FIELD VERIFY ALL EXISTING UTILITY LOCATIONS, ELEVATIONS, AND INVERTS PRIOR TO COMMENCING ANY WORK. CONTRACTOR SHALL PAY NECESSARY FEES FOR THE UTILITIES CONNECTIONS.
- CONTRACTOR TO BE RESPONSIBLE TO VERIFY ANY INVERTS AND SET NEW INVERTS OF SEWAGE AND DRAINAGE PIPES.
- ALL WORK AND MATERIAL TO COMPLY STRICTLY TO THE LATEST LOCAL CITY PARISH, STATE, AND NATIONAL GOVERNING CODES.
- SEWAGE LINES 3" AND SMALLER SHALL BE SLOPED 1/4" PER FOOT AND LINES THAT ARE 4" AND LARGER SHALL BE SLOPED 1/8" PER FOOT.
- CONTRACTOR SHALL CONTACT LOUISIANA ONE CALL PRIOR TO COMMENCEMENT OF SITE EXCAVATION.
- CONTACT CITY OF SLIDELL PUBLIC UTILITY DEPARTMENT FOR TAPS. (985-646-4291)

**SITE UTILITIES LEGEND**



NOTE:  
ALL PLUMBING IS DRAWN  
DIAGRAMMATICALLY FOR  
CLARITY



**DAMMON ENGINEERING, INC.**  
LOUISIANA & MISSISSIPPI  
Chief Engineer: Brian Mistich, PE  
www.dammonengineering.com  
info@dammonengineering.com  
554 Old Spanish Trail  
Slidell, LA 70468  
PH: 985.649.3532

#	DESCRIPTION	DATE
1	NOTE FOR SEWER AND WATER DISTANCE	5-27-25



NEW TRAINING FACILITY  
**ST. TAMMANY FIRE PROTECTION DISTRICT NO. 1**  
94180 S RANGE ROAD  
SLIDELL, LA 70460  
JOB No: 25071 DATE: 02-10-2025  
DRAWN BY: BAW  
C&D CHECKED BY:

SHEET TITLE:  
**DRAINAGE & UTILITY SITE PLAN**  
DRAWING NUMBER:  
**C102**  
SHEET No: 4 of 15