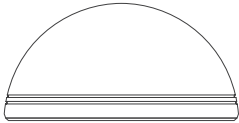


Job:
 Type:
 Notes:

100 Line LED

106 Quarter Sphere Sconce LED

Philips Gardco 106 LED quarter sphere high performance sconce luminaires are designed to integrate naturally to wall surfaces. 106 LED luminaires are available with three (3) different distribution patterns, providing full cutoff performance (in the normal downlight position) and featuring LED arrays. Luminaires provide performance excellence and advanced Philips Gardco LED thermal management technology. High performance Class 1 LED systems offer potential energy savings of 50 % or more compared to HID systems. 106 LED luminaires are also available with Automatic Profile Dimming, increasing savings by an additional 33%.



PREFIX	DISTRIBUTION	LED WATTAGE	LED SELECTION	VOLTAGE	FINISH	OPTIONS

Enter the order code into the appropriate box above. Note: Philips Gardco reserves the right to refuse a configuration. Not all combinations and configurations are valid. Refer to notes below for exclusions and limitations. For questions or concerns, please consult the factory.

PREFIX

- 106L** Quarter Sphere LED - Constant Wattage / Full Light Output
- 106L-DCC** Quarter Sphere LED - Dual Arrays with Dual Circuit Control
- 106L-DIM** Quarter Sphere LED - 0 - 10V Dimming (Control system by others.)
- 106L-APD** Quarter Sphere LED with Automatic Profile Dimming

DISTRIBUTION

- 2** Type II Wide Throw Optic, featuring Maximized Lateral Throw
- 3** Type III Preferred Wide Throw Optic, featuring Improved Forward Throw
- 4** Type IV Maximized Forward Throw Optic

See page 3 for more detailed luminaire configuration information.

LED WATTAGE AND LUMEN VALUES

Ordering Code	Average System Watts ¹	LED Current (mA)	LED Selection	Luminaire Initial Absolute Lumens ^{2,3}			Basis of Lumen Data Photometric tests performed in compliance with IESNA LM-79.
				TYPE 2	TYPE 3	TYPE 4	
35LA	34	350	NW	3,459	3,559	3,385	
55LA	52	530	NW	4,785	5,021	4,709	

1. Wattage may vary by +/- 8% due to LED manufacturer forward volt specification and ambient temperature. Wattage shown is average for 120V through 277V input. Actual wattage may vary by an additional +/- 10% due to actual input voltage.
 2. Tests are in process for luminaires with the DL option, CW and WW luminaires. CW values may be approximated by applying a 1.08 multiplier to NW values shown. Contact Gardco.applications@philips.com if any approximate estimates are required for design purposes.
 3. LED arrays feature LEDs that provide from 100 to 130 lumens per watt when operated at 350 mA. Lumen values based on tests performed in compliance with IESNA LM-79.

LED SELECTION

- CW** Cool White - 5700°K - 75 CRI
- NW** Neutral White - 4000°K - 70 CRI
- WW** Warm White - 3000°K - 80 CRI

VOLTAGE

- UNIV** 120V through 277V, 50hz or 60hz
- 120**
- 208**
- 240**
- 277**
- 347**



PHILIPS



100 Line LED

106 Quarter Sphere Sconce LED

FINISH

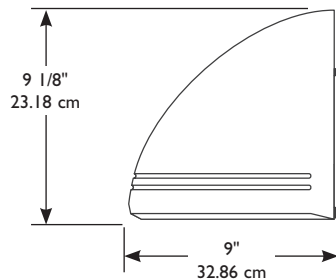
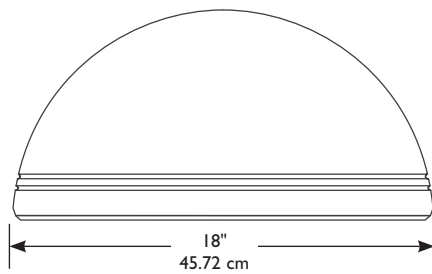
BRP	Bronze Paint
BLP	Black Paint
WP	White Paint
NP	Natural Aluminum Paint
BGP	Beige Paint
OC	Optional Color Paint Specify Optional Color or RAL ex: OC-LGP or OC-RAL7024.
SC	Special Paint Specify. Must supply color chip.

OPTIONS

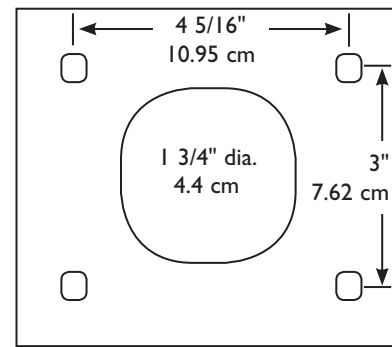
F⁹	Fusing
PCB⁹	Button Type Photocontrol
DL⁶	Diffusing Lens Reduces Performance Significantly
PSO^{4,7}	Offset Polycarbonate Flat Shield
UT	5° Uptilt
WS⁵	Wall Mounted Box for Surface Conduit
WS/UT⁵	WS Option w/5° Uptilt
WG⁸	Wire Guard

4. Polycarbonate lenses carry a 1 year warranty only.
5. Rear entry permitted.
6. Not available with PSO option and not available with the WG option.
7. Not available with DL option and not available with the WG option.
8. Not available with DL option and not available with the PSO option.
9. Specify input voltage.

DIMENSIONS



Mounting Plate



Mounting Bolt Pattern

Note: Mounting plate center is located in the center of the luminaire width and 3.5" (8.89cm) above the luminaire bottom (lens down position). Splices must be made in the J-box (by others). Mounting plate must be secured by max. 5/16" (.79cm) diameter bolts (by others) structurally to the wall.

LUMINAIRE CONFIGURATION INFORMATION

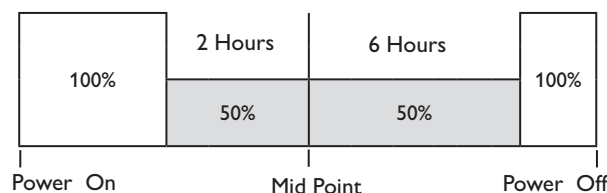
106L: Philips Gardco performance LED sconce providing constant wattage and constant light output when power to the luminaire is energized.

106L-DCC: Philips Gardco performance LED sconce provided with dual circuiting, and dual arrays, permitting separate switching of each led array.

106L-DIM: Philips Gardco performance LED sconce provided with 0 -10V dimming for connection to a control system provided by others.

106L-APD: Philips Gardco performance LED sconces with Automatic Profile Dimming are provided with a programmed LED Driver included. The LED driver is factory programmed to go to 50% power, 50% light output two (2) hours prior to night time mid-point and remain at 50% for six (6) hours after night time mid-point. Mid-point is continuously calculated by the LED driver based on the average mid-point of the last two full night cycles. Short duration cycles, and power interruptions are ignored and do not affect the determination of mid-point.

APD Dimming Profile:



100 Line LED

106 Quarter Sphere Sconce LED

SPECIFICATIONS

GENERAL: Philips Gardco 106 LED quarter sphere high performance sconce luminaires are designed to integrate naturally to wall surfaces. 106 LED luminaires are available with three (3) different distribution patterns, providing full cutoff performance (in the normal downlight position) and featuring LED arrays. Luminaires provide performance excellence and advanced Philips Gardco LED thermal management technology. High performance Class 1 LED systems offer potential energy savings of 50 % or more compared to HID systems.

THERMAL MANAGEMENT: Philips Gardco 106 LED luminaires utilize extruded aluminum integral thermal radiation fins to provide the excellent thermal management so critical to long LED system life.

LED RELIABILITY:

PREDICTED LUMEN DEPRECIATION DATA		
Ambient Temperature °C	LED Wattage / Driver mA	L ₇₀ Hours ¹⁰
25 °C	35LA / 350 mA	150,000
	55LA / 530 mA	100,000
40 °C	35LA / 350 mA	100,000
	55LA / 530 mA	70,000

10. Predicted performance derived from LED manufacturer's data and engineering design estimates, based on IESNA LM-80 methodology. Actual experience may vary due to field application conditions. L₇₀ is the predicted time when LED performance depreciates to 70% of initial lumen output.

OPTICAL SYSTEMS: Philips Gardco 106 LED luminaires utilize lensed LED arrays set to achieve IES Type II, Type III, and Type IV distributions. Individual LED arrays are replaceable. Luminaires feature high performance Class 1 LED systems.

FULL CUTOFF PERFORMANCE: Full cutoff performance means a luminaire distribution where zero candela intensity occurs at an angle at or above 90° above nadir. Additionally, the candela per 1000 lamp lumens does not numerically exceed 100 (10 percent) at a vertical angle of 80° above nadir. This applies to all lateral angles around the luminaire.

CUTOFF PERFORMANCE: Cutoff performance means a luminaire distribution where the candela per 1000 lamp lumens does not numerically exceed 25 (2.5 percent) at an angle at or above 90° above nadir, and 100 (10 percent) at a vertical angle of 80° above nadir. This applies to all lateral angles around the luminaire.

HOUSING: Housings are die cast aluminum. A memory retentive gasket seals the housing to the door frame to exclude moisture, dust, insects and pollutants from the optical system. A black, die cast ribbed backplate dissipates heat for longer system life.

DOOR FRAME: A single-piece die cast aluminum door frame integrates to the housing form. The door frame is hinged closed and secured to the housing with captive stainless steel fasteners. The heat and impact resistant 1/8" (.32cm) tempered glass lens and one-piece gasket are mechanically secured to the door frame with galvanized steel retainers.

IP RATING: Luminaires are rated IP66.

FINISH: Each standard color luminaire receives a fade and abrasion resistant, electrostatically applied, thermally cured, triglycidal isocyanurate (TGIC) textured polyester powdercoat finish. Standard colors are as listed. Consult factory for specs on custom colors.

LABELS: All luminaires bear UL or CUL (where applicable) labels. Lens down application is Wet Location and lens up is Damp Location.

WARRANTY: Philips Gardco LED luminaires feature a 5 year limited warranty, including a 5 year limited warranty covering the LED arrays. See Warranty Information on www.sitelighting.com for complete details and exclusions. Polycarbonate lenses carry a 1 year warranty only.



© 2014 Koninklijke Philips N.V. All rights reserved.

Philips reserves the right to make changes in specifications and/or to discontinue any product at any time without notice or obligation and will not be liable for any consequences resulting from the use of this publication.

Philips Lighting
North America Corporation
200 Franklin Square Drive
Somerset, NJ 08873
Tel. 855-486-2216

Imported by: Philips Lighting,
A division of Philips Electronics Ltd.
281 Hillmount Rd,
Markham, ON, Canada L6C 2S3
Tel. 800-668-9008