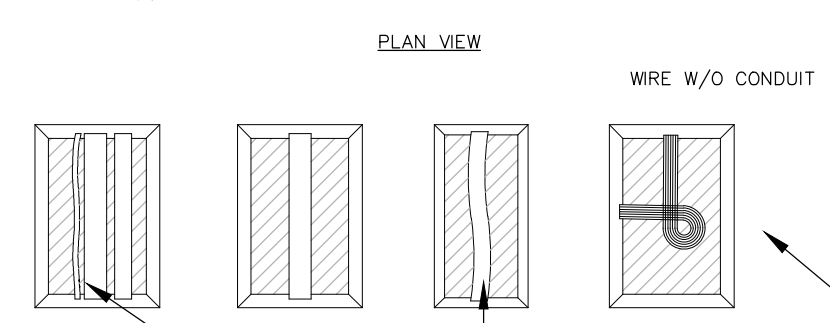
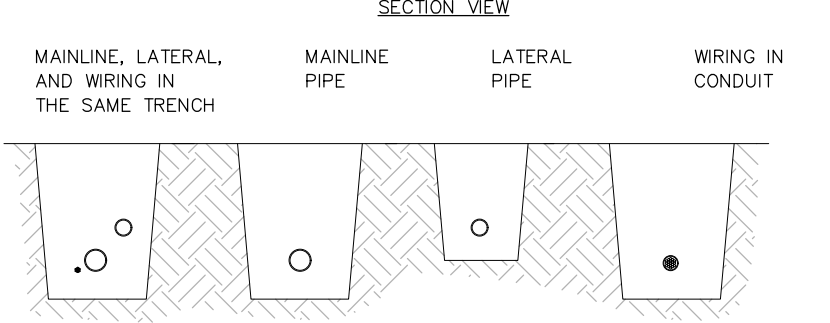
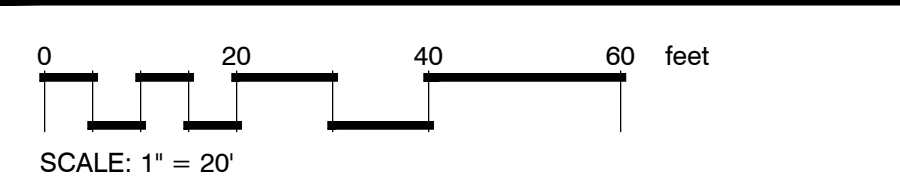


IRRIGATION PLAN

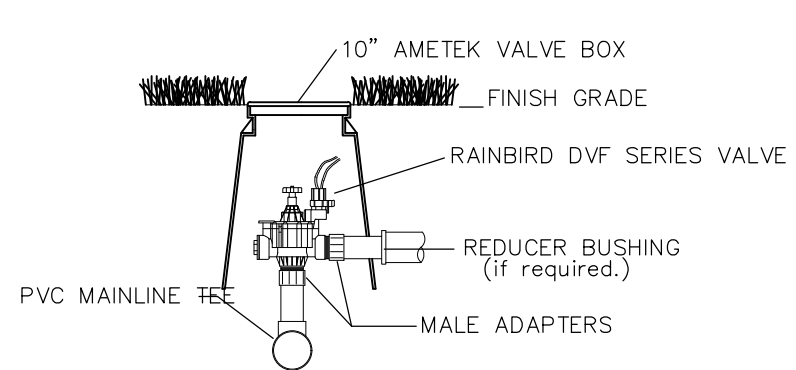


1 RUN WIRING BENEATH AND BESIDE MAINLINE. TAPE AND BUNDLE AT 10-FOOT INTERVALS.

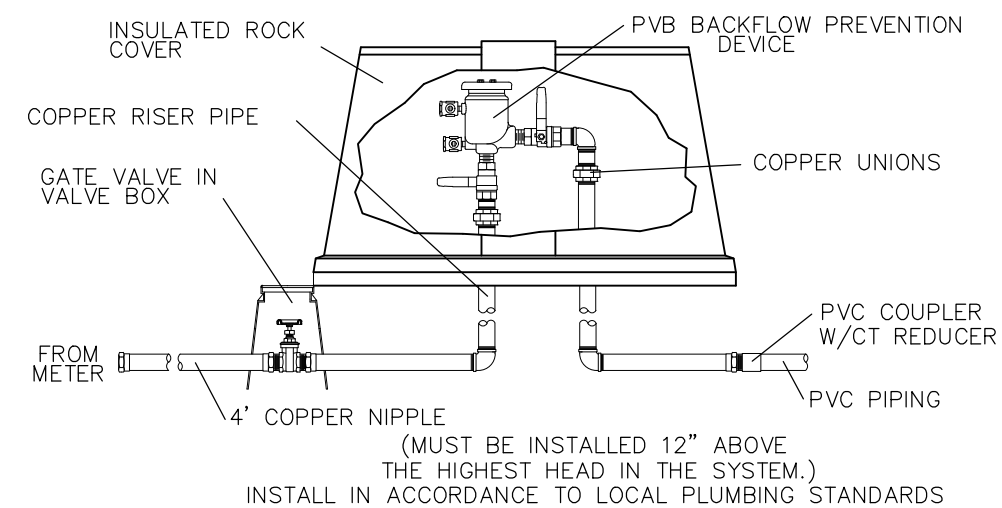
2 ALL SOLVENT WELD PLASTIC PIPING TO BE SNAKED IN TRENCH AS SHOWN.

3 TIE A 24-INCH LOOP IN ALL WIRING AT CHANGES OF DIRECTION OF 30° OR GREATER. UNTIL AFTER ALL CONNECTIONS HAVE BEEN MADE.

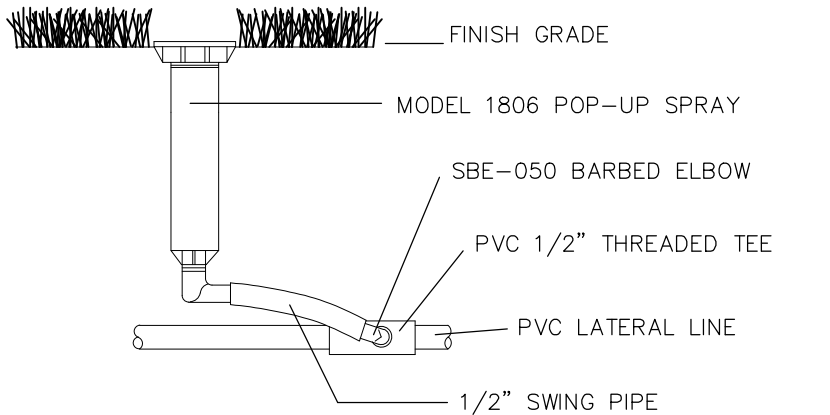
1 PIPING DIAGRAM
N.T.S.



2 DVF VALVE DETAIL
N.T.S.



4 BACKFLOW DETAIL
N.T.S.

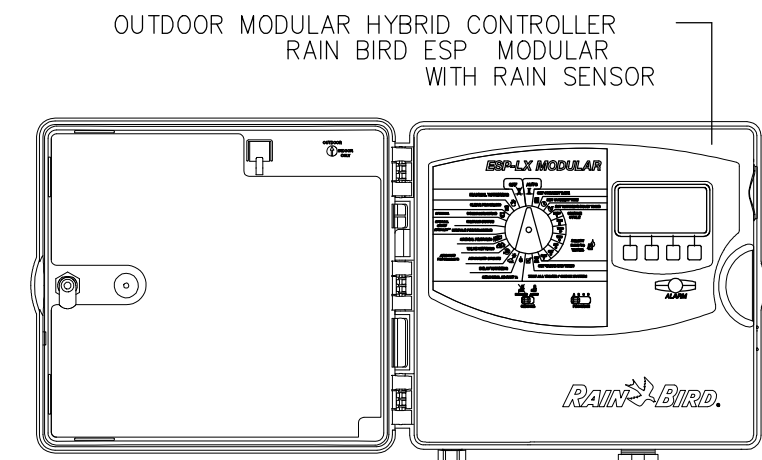
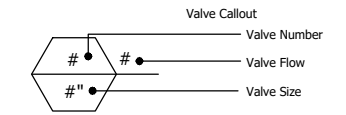


3 4" POP-UP TURF SPRAY
N.T.S.

IRRIGATION_SCHEDULE

SYMBOL	MANUFACTURER/MODEL/DESCRIPTION	QTY	PSI
4	Hunter MP Strip PROS-06-PRS40-CV Turf Rotator, 6in. pop-up with factory installed check valve, pressure regulated to 40 psi, MP Rotator nozzle on PRS40 body, LCS=Ivory left strip, SS=Brown side strip, RCS=Copper right strip.	4	40
21	Hunter MP1000 PROS-06-PRS40-CV Turf Rotator, 6in. pop-up with check valve, pressure regulated to 40 psi, MP Rotator nozzle on PRS40 body, M=Maroon adj arc 90 to 210, L=Light Blue 210 to 270 arc, O=Olive 360 arc.	21	40
14	Hunter MP2000 PROS-06-PRS40-CV Turf Rotator, 6in. pop-up with factory installed check valve, pressure regulated to 40 psi, MP Rotator nozzle on PRS40 body, K=Black adj arc 90-210, G=Green adj arc 210-270, R=Red 360 arc.	14	40
35	Hunter MP3000 PROS-06-PRS40-CV Turf Rotator, 6in. pop-up with factory installed check valve, pressure regulated to 40 psi, MP Rotator nozzle on PRS40 body, B=Blue adj arc 90-210, Y=Yellow adj arc 210-270, A=Gray 360 arc.	35	40

SYMBOL	MANUFACTURER/MODEL/DESCRIPTION	QTY
10	Rainbird DVF or approved equal 1in. Plastic Electric Remote Control Valve, for Residential/Light Commercial Use. Female NPT Inlet/Outlet. Angle Configuration, No Flow Control.	10
1	Shut Off Valve	1
1	Febco 765 1" Pressure Vacuum Breaker, brass with ball valve SOV. Install 12in. above highest downstream outlet and the highest point in the downstream piping.	1
1	Rainbird ESP Series or approved equal Light Commercial & Residential Controller, 7-station expanded module controller, 120 VAC, Outdoor/Indoor model	1
1	Rainbird or approved equal Rain and freeze sensor, with conduit installation, mount as noted. Normally closed switch.	1
1,472 If	Irrigation Lateral Line: PVC Class 200 SDR 21	
774.1 If	Irrigation Mainline: PVC Schedule 40	
100.8 If	Pipe Sleeve: PVC Schedule 40 Typical pipe sleeve for irrigation pipe. Pipe sleeve size shall allow for irrigation piping and their related couplings to easily slide through sleeving material. Extend sleeves 18 inches beyond edges of paving or construction.	



1" PVC SCH 40 CONDUIT TO POWER SUPPLY

WIRE TO REMOTE CONTROL VALVES

5 HYBRID CONTROLLER
N.T.S.

VALVE_SCHEDULE

NUMBER	MODEL	SIZE	TYPE	GPM	PSI	PSI @ POC	PRECIP
C1	Rainbird DVF	1"	Turf Rotary	10.98	43.5	48.4	0.27 in/h
C2	Rainbird DVF	1"	Turf Rotary	6.74	42.0	45.9	0.19 in/h
C3	Rainbird DVF	1"	Turf Rotary	14.9	43.4	52.1	0.28 in/h
C4	Rainbird DVF	1"	Turf Rotary	14.9	41.9	52.5	0.28 in/h
C5	Rainbird DVF	1"	Turf Rotary	6.94	41.5	49.0	0.2 in/h
C6	Rainbird DVF	1"	Turf Rotary	7.35	41.2	50.4	0.25 in/h
C7	Rainbird DVF	1"	Turf Rotary	7.36	41.3	50.6	0.25 in/h
C8	Rainbird DVF	1"	Turf Rotary	5.72	41.2	48.1	0.25 in/h
C9	Rainbird DVF	1"	Turf Rotary	9.17	41.4	48.1	0.34 in/h
C10	Rainbird DVF	1"	Turf Rotary	4.28	41.9	45.9	0.28 in/h

CRITICAL ANALYSIS

Generated: 2026-02-05 13:3

P.O.C. NUMBER: 01
Water Source Information:

FLOW AVAILABLE
Water Meter Size: 1"
Flow Available: 37.5 GPM

PRESSURE AVAILABLE
Static Pressure at POC: 60 PSI
Elevation Change: 5.00 ft
Service Line Size: 4"
Length of Service Line: 20 ft
Pressure Available: 58 PSI

DESIGN ANALYSIS
Maximum Station Flow: 14.9 GPM
Flow Available at POC: 37.5 GPM
Residual Flow Available: 22.6 GPM

Design Pressure: 40 PSI
Friction Loss: 0.86 PSI
Fittings Loss: 0.09 PSI
Elevation Loss: 0 PSI
Loss through Valve: 1 PSI
Pressure Req. at Critical Station: 41.9 PSI
Loss for Fittings: 0.52 PSI
Loss for Main Line: 5.17 PSI
Loss for POC to Valve Elevation: 0 PSI
Loss for Backflow: 3.7 PSI
Loss for Water Meter: 1.19 PSI
Critical Station Pressure at POC: 52.5 PSI
Pressure Available: 58 PSI
Residual Pressure Available: 5.48 PSI

Certification of Installation According to the Landscape Documentation Package

I certify that based upon periodic site observation, the work has been substantially completed in accordance with the ordinance and that the landscape planting and irrigation installation conforms with the criteria and specifications of the approved landscape and irrigation plan.

Signature: _____ Date: _____

Name (print): _____ Telephone No.: _____

Title: _____ Email Address: _____

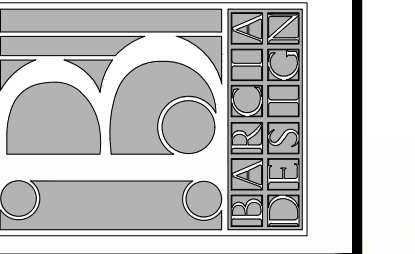
License No. or Certification No.: _____

Company: _____ Street Address: _____

City: _____ State: _____ Zip Code: _____

*Signer of the approved landscape and irrigation plan

ALPHONSE BARCIA III
LANDSCAPE ARCHITECT LLC.
562 CLAYTON COURT
SLIDELL, LOUISIANA 70461
BARCIADESIGNS@GMAIL.COM
(985) 960-0429



2-5-2026

THIS DRAWING IS AN INSTRUMENT OF SERVICE, AND THE PROPERTY OF THE ARCHITECT AND MAY BE USED ONLY ON THE PROJECT NAMED HEREIN. THIS DRAWING SHALL NOT BE REPRODUCED, COPIED OR USED IN WHOLE OR PART WITHOUT WRITTEN PERMISSION OF THE ARCHITECT. ANY USE IS A VIOLATION OF FEDERAL AND STATE COPYRIGHT STATUTES.

New Fire Station #10
St. Tammany Fire Protection
2745 Lakeshore Vista Blvd.
Slidell, LA.

Sheet Title: Irrigation Plan

JOB No.:
SCALE: AS SHOWN
DRAWN BY: AB3
CHECKED BY: AB3
SHEET:
IR-1
REV.
DATE: FEBRUARY 5TH 2026