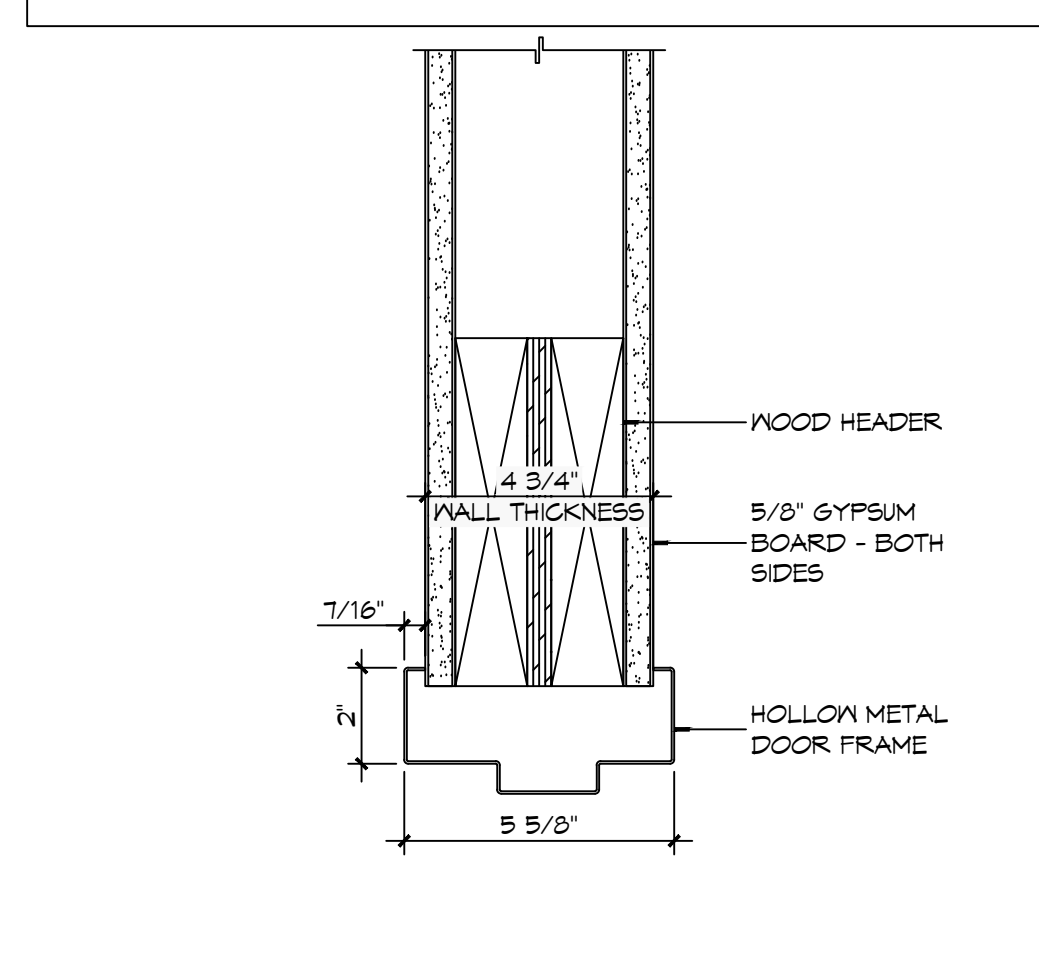
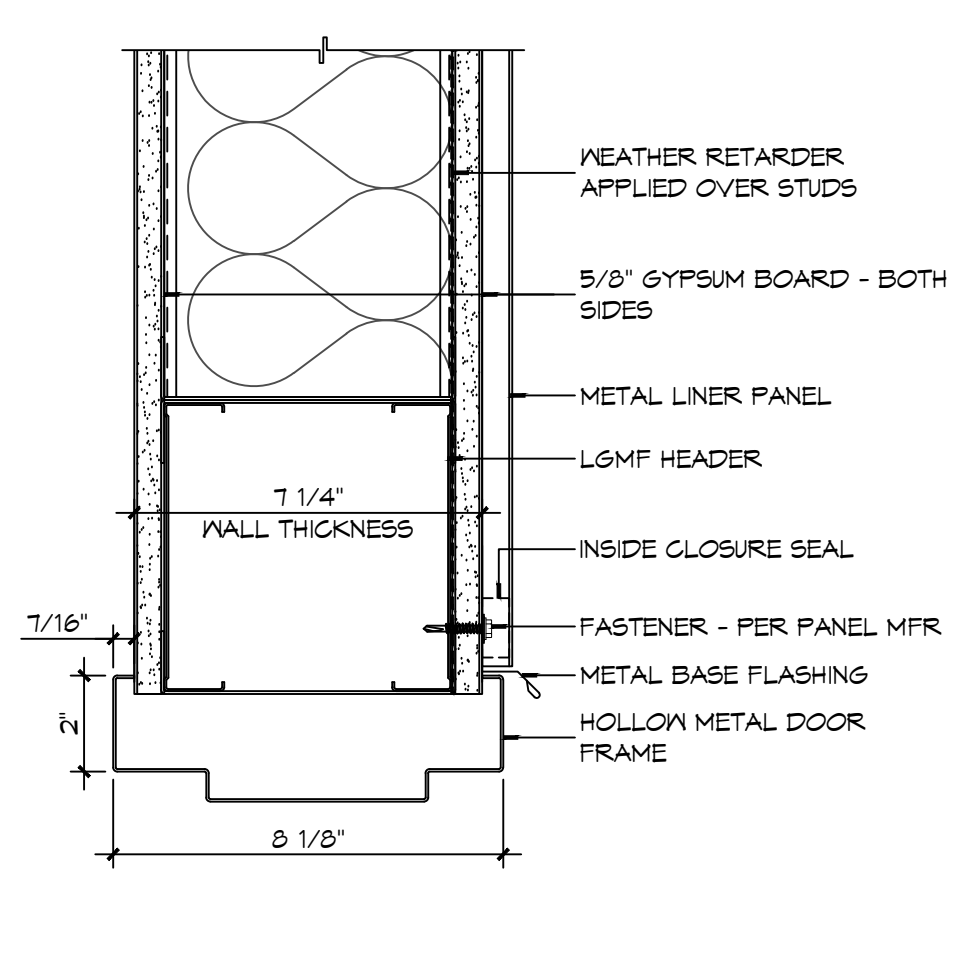
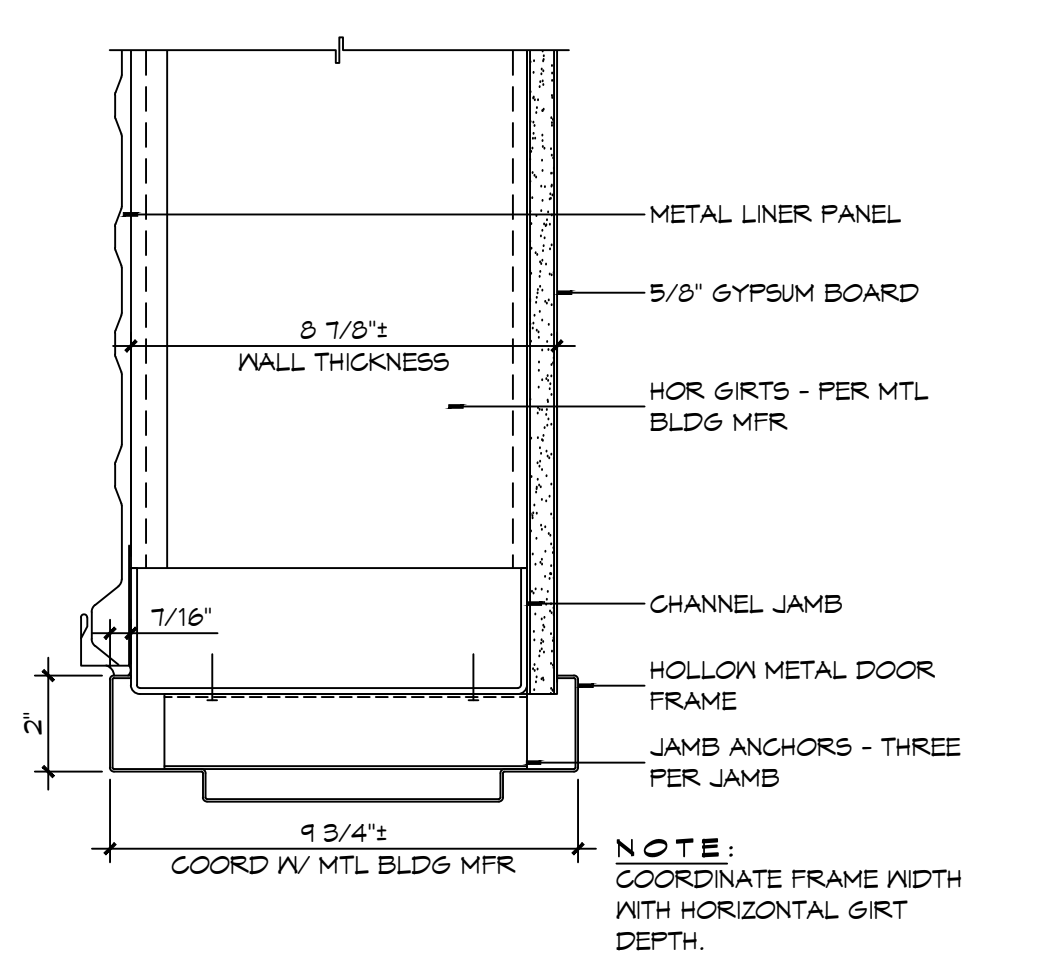
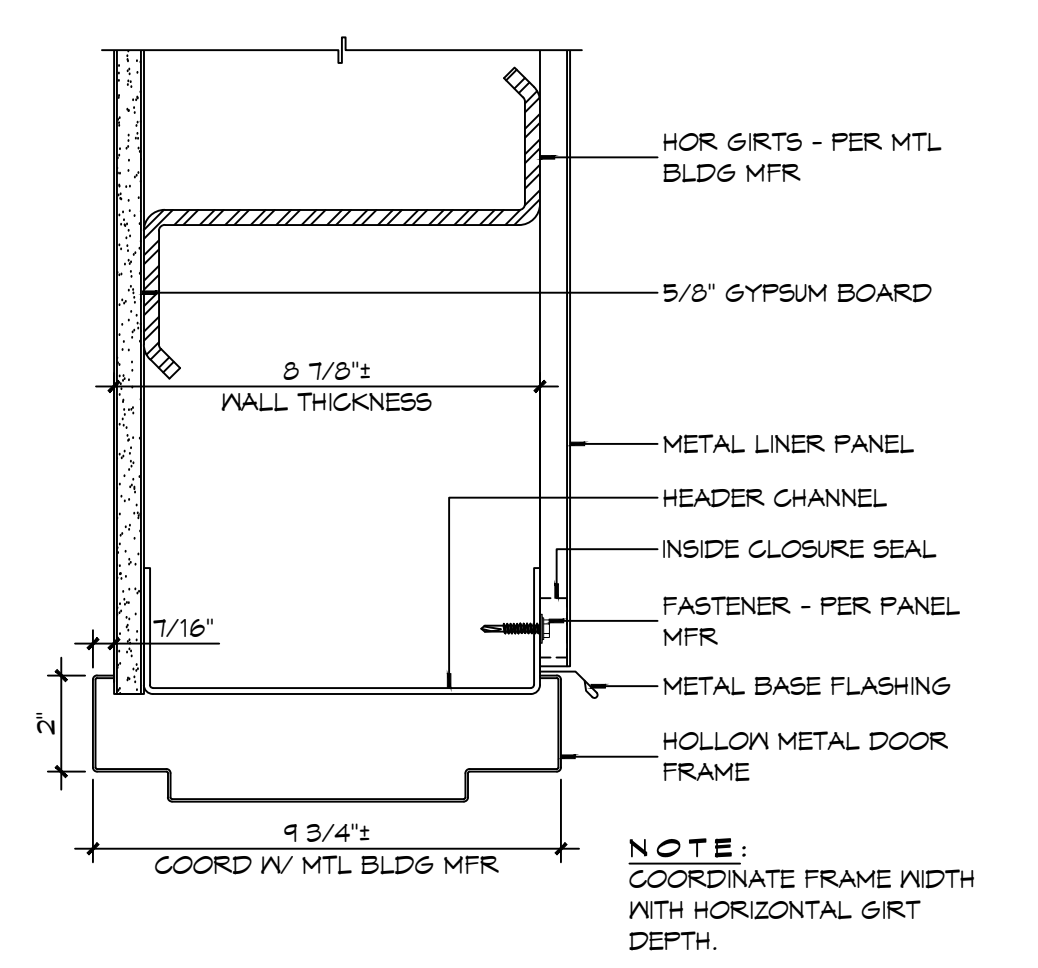
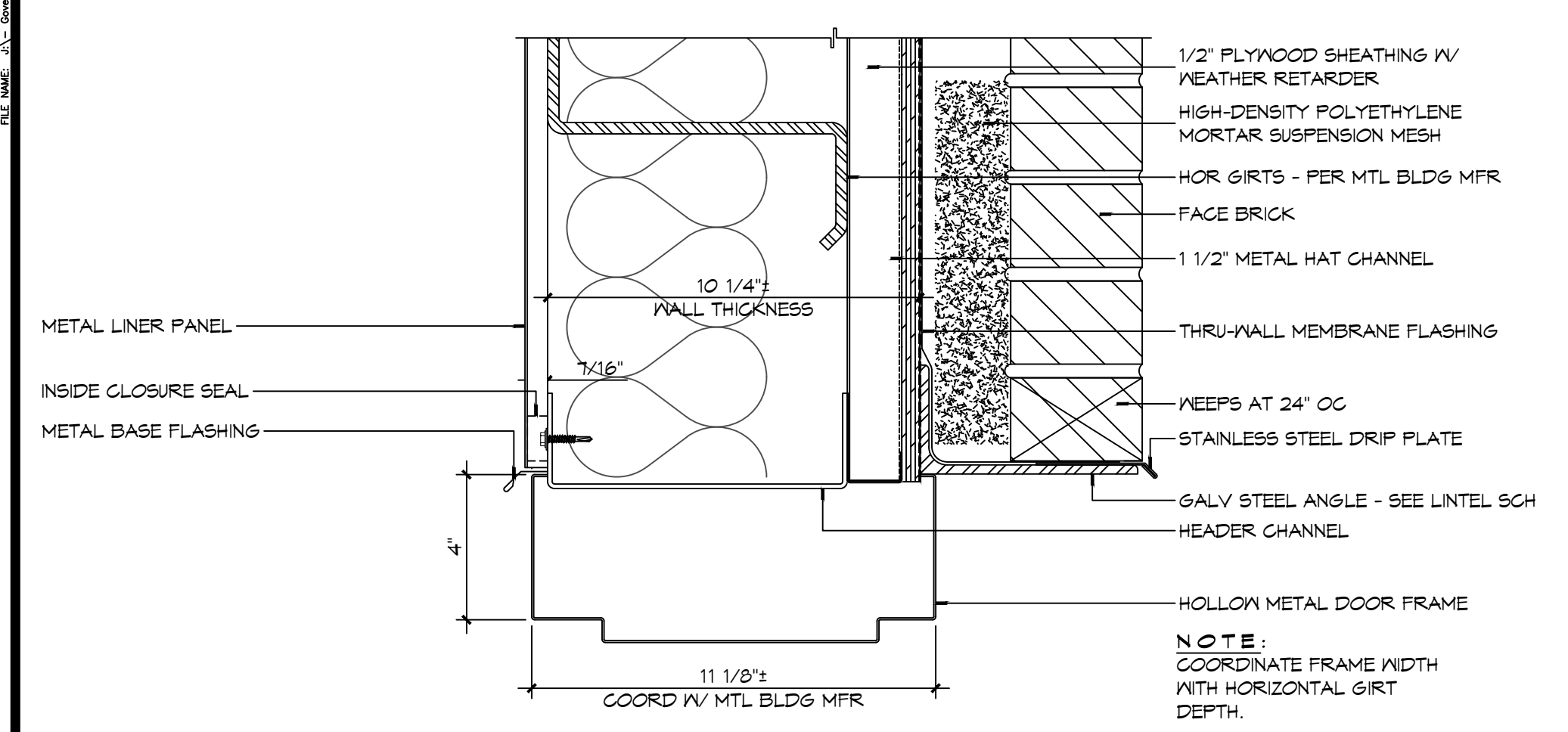


- ### DOOR AND FRAME NOTES
- HOLLOW METAL FRAME DIMENSIONS INDICATED IN THE DETAILS ARE NOMINAL. MANUFACTURER'S STANDARD WIDTH FRAME, WITH THROAT OPENING APPROPRIATE TO WALL TYPE MAY BE PROPOSED IN SHOP DRAWINGS, IF NO OTHER MODIFICATIONS OF THE DETAIL IS REQUIRED.
 - PROVIDE WOOD BLOCKING OR FLAT STRAP BEHIND GYPSUM BOARD IN WALL BEHIND DOORS SCHEDULED TO HAVE WALL MOUNTED DOOR STOPS. REFER TO HARDWARE SCHEDULE.
 - "WALL THICKNESS" DIMENSIONS INDICATED MAY BE TYPICAL. REFER TO PARTITION TYPES FOR PARTITION THICKNESS WHERE OPENING IS LOCATED.
 - WHERE A DOOR IS LOCATED NEAR CORNER OF ROOM AND IT IS NOT LOCATED BY DIMENSION ON PLAN OR DETAILS, DIMENSION SHALL BE 4 INCHES FROM FINISH FACE OF WALL TO FRAME OPENING.
 - WHERE A DOOR IS LOCATED BY DIMENSION, THE DIMENSION IS TAKEN FROM THE CENTERLINE OF THE FRAME OPENING UNLESS NOTED OTHERWISE.
 - THRESHOLDS, WHEN REQUIRED, ARE TO BE NOTED IN THE DOOR HARDWARE SCHEDULE.
 - WHERE MORE THAN ONE WALL FINISH IS INDICATED REFER TO FINISH SCHEDULE FOR WALL FINISH ON A PARTICULAR SIDE OF WALL.

21 DOOR DETAIL
SCALE: 3" = 1'-0"

20 DOOR DETAIL
SCALE: 3" = 1'-0"

19 DOOR DETAIL
SCALE: 3" = 1'-0"



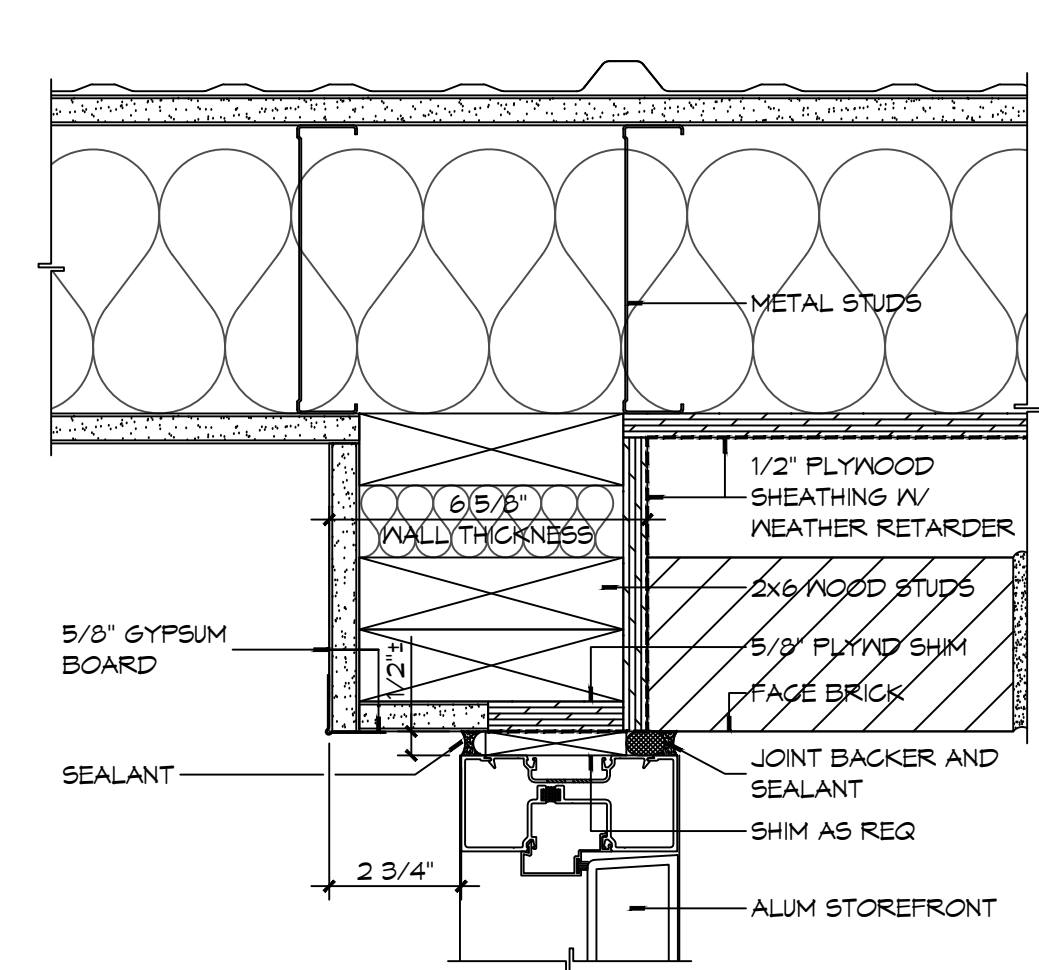
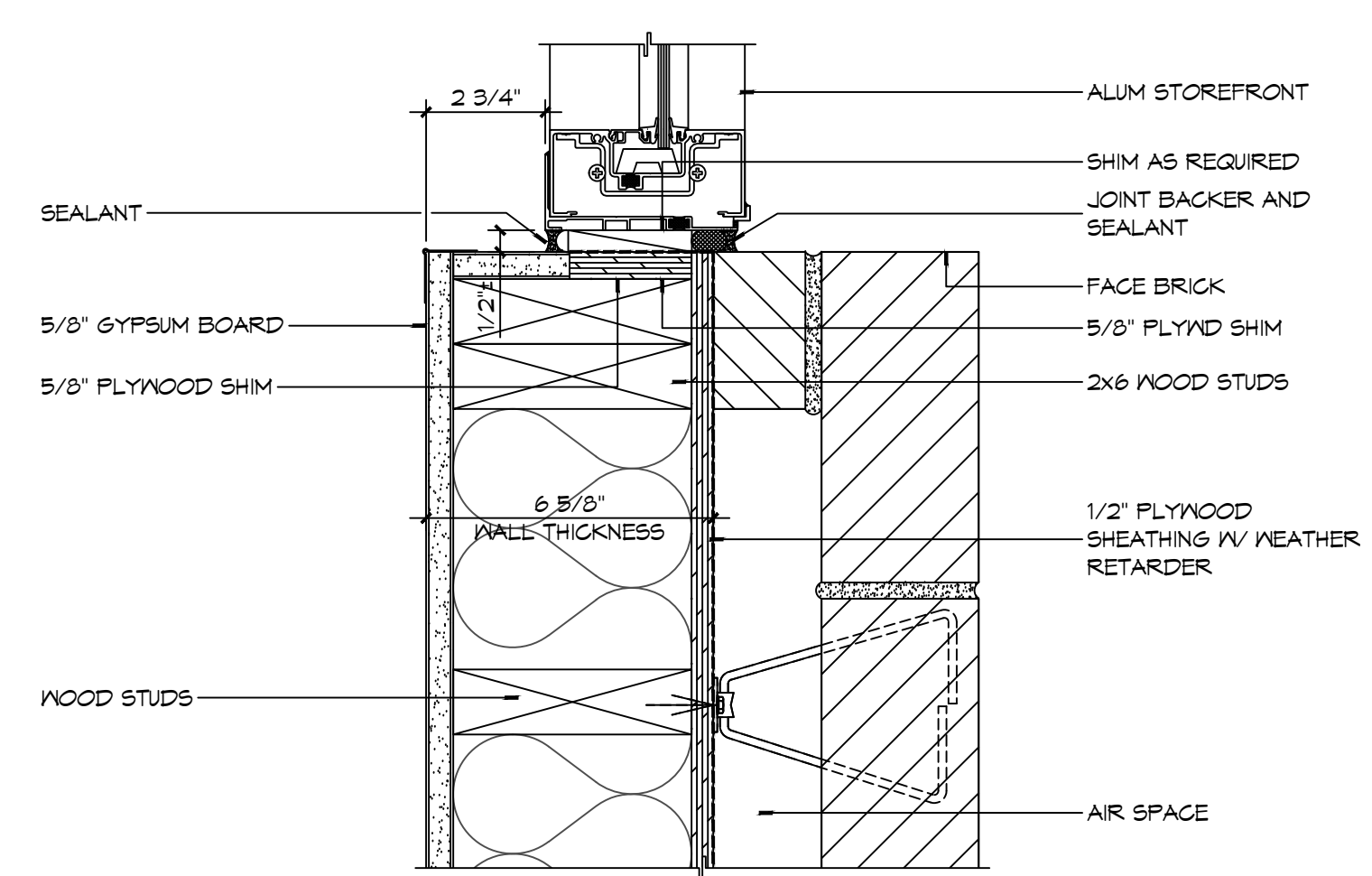
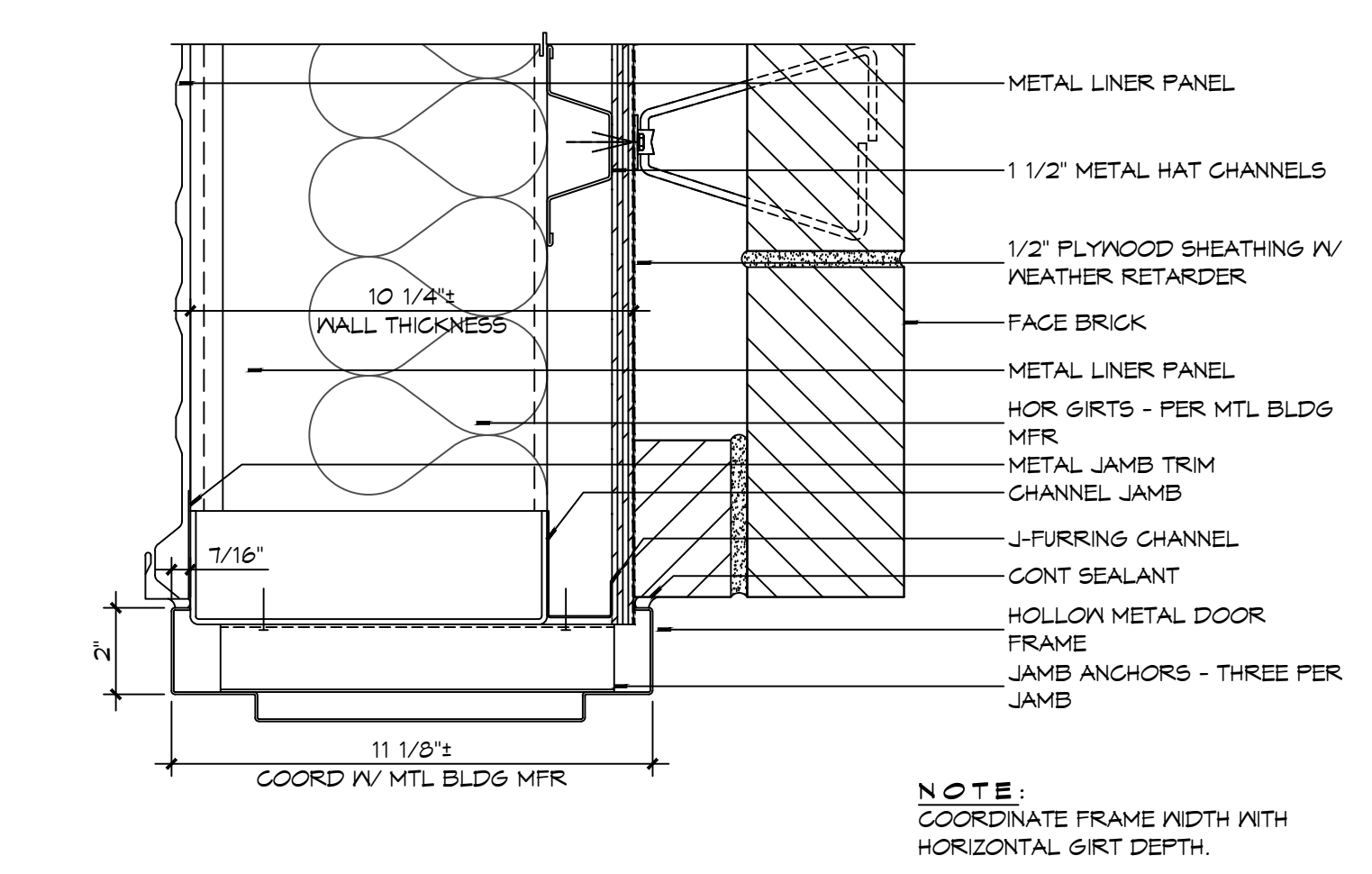
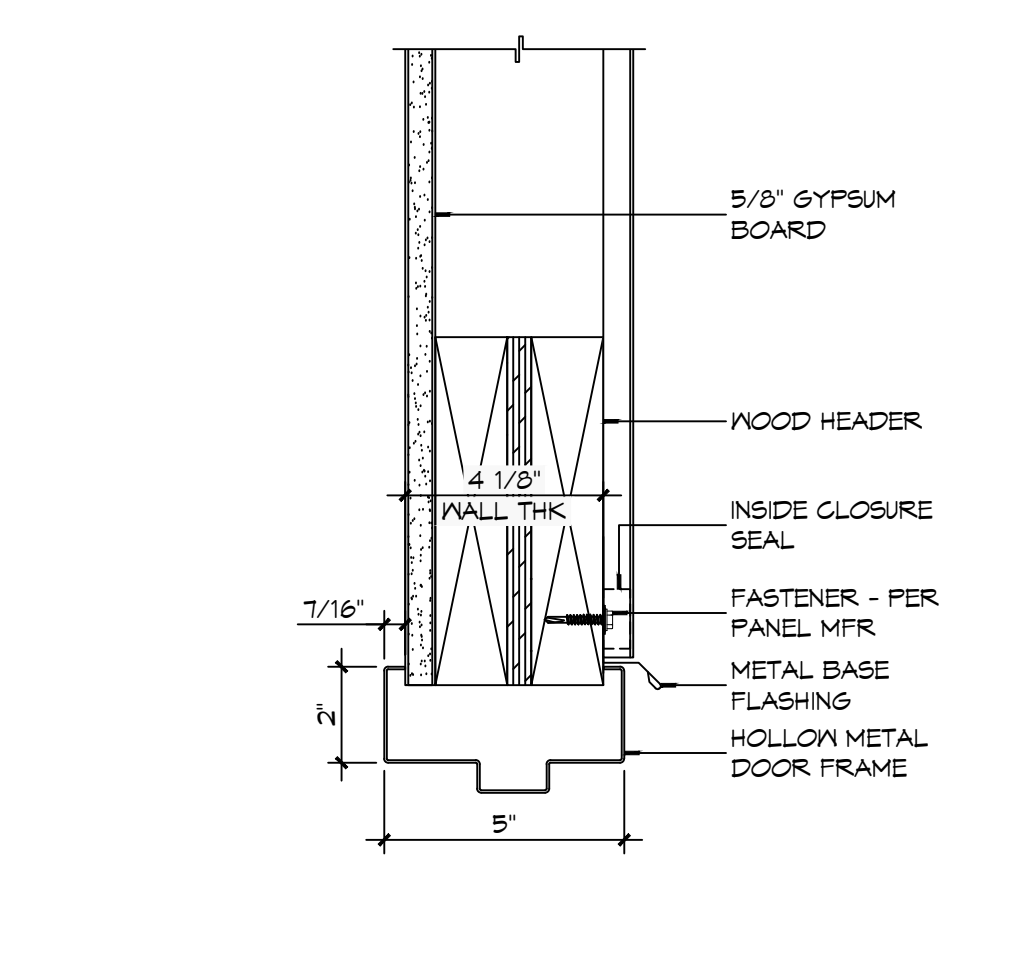
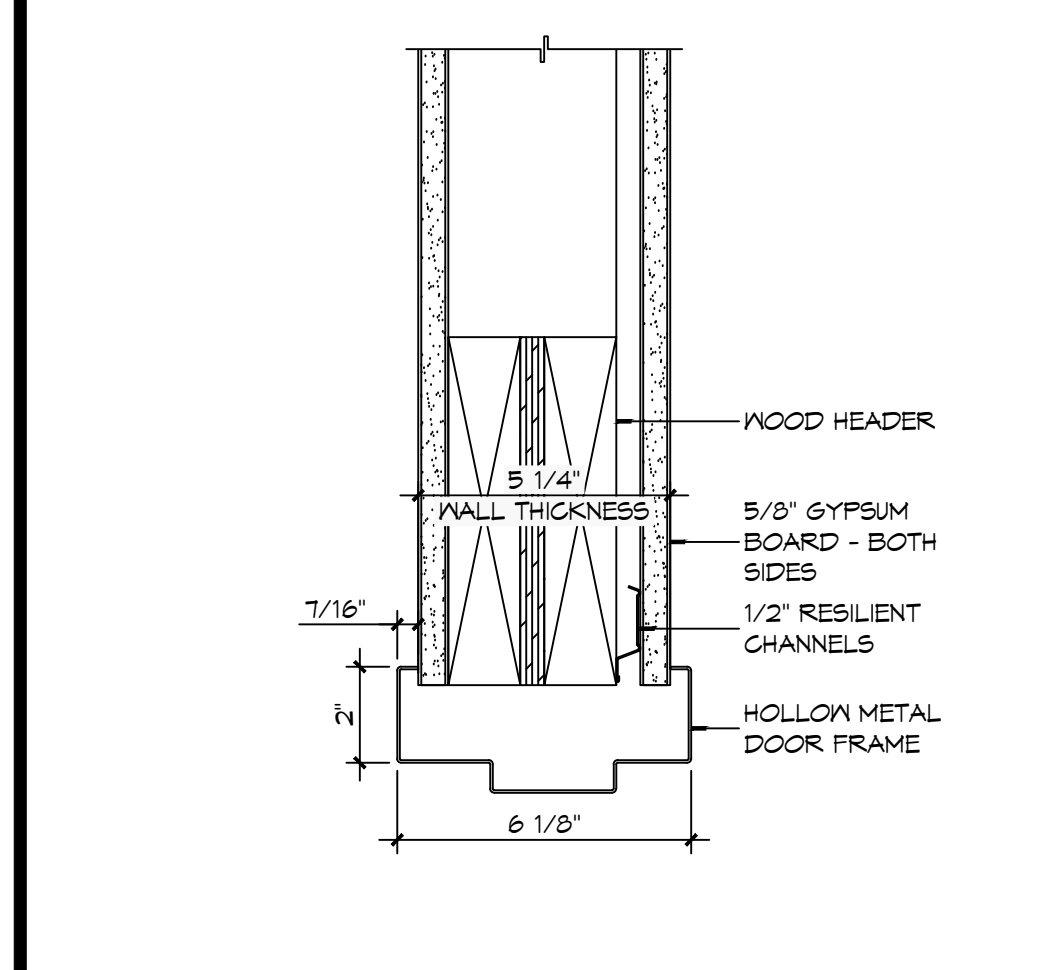
18 DOOR DETAIL
SCALE: 3" = 1'-0"

17 DOOR DETAIL
SCALE: 3" = 1'-0"

16 DOOR DETAIL
SCALE: 3" = 1'-0"

15 DOOR DETAIL
SCALE: 3" = 1'-0"

14 DOOR DETAIL
SCALE: 3" = 1'-0"



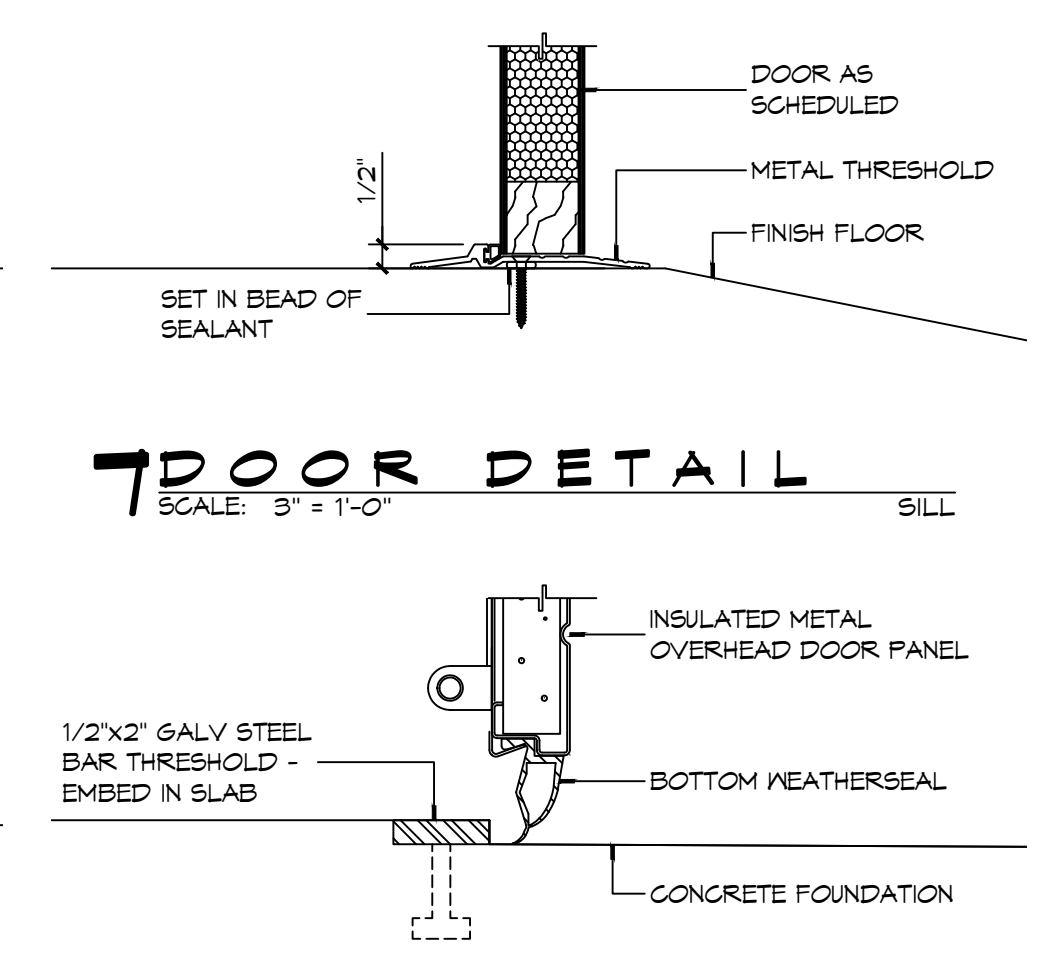
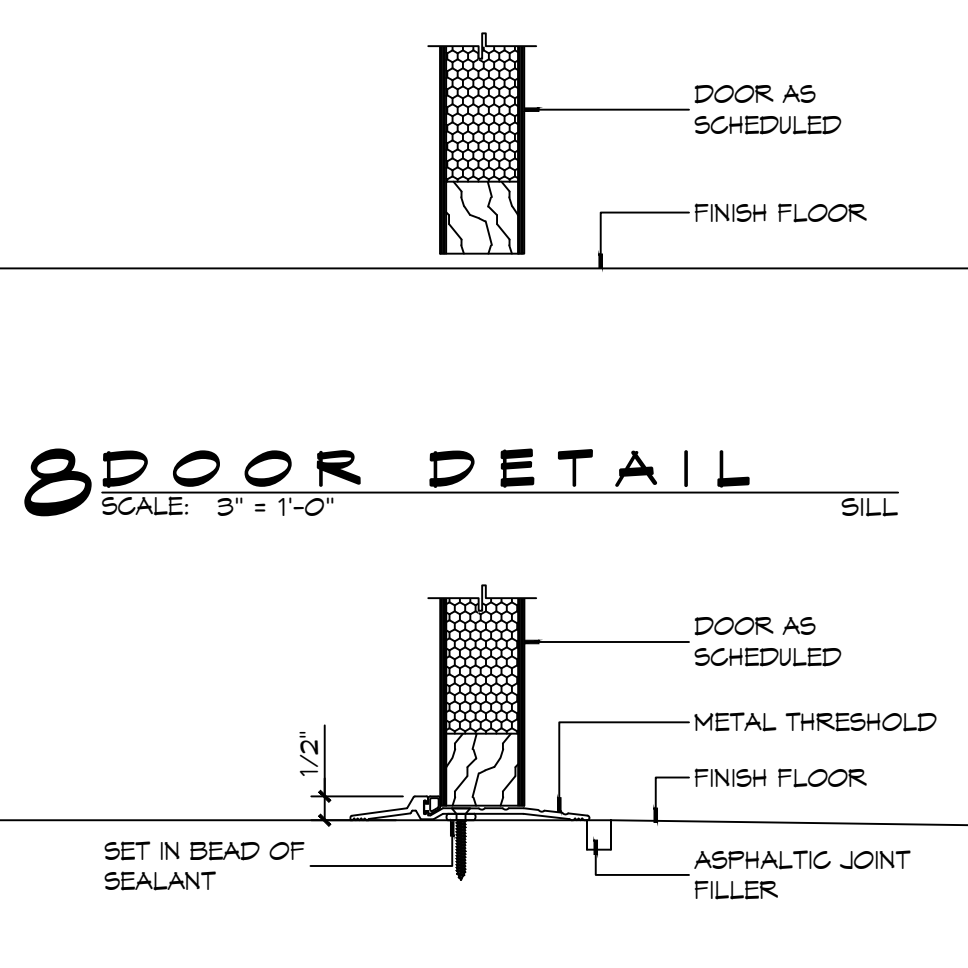
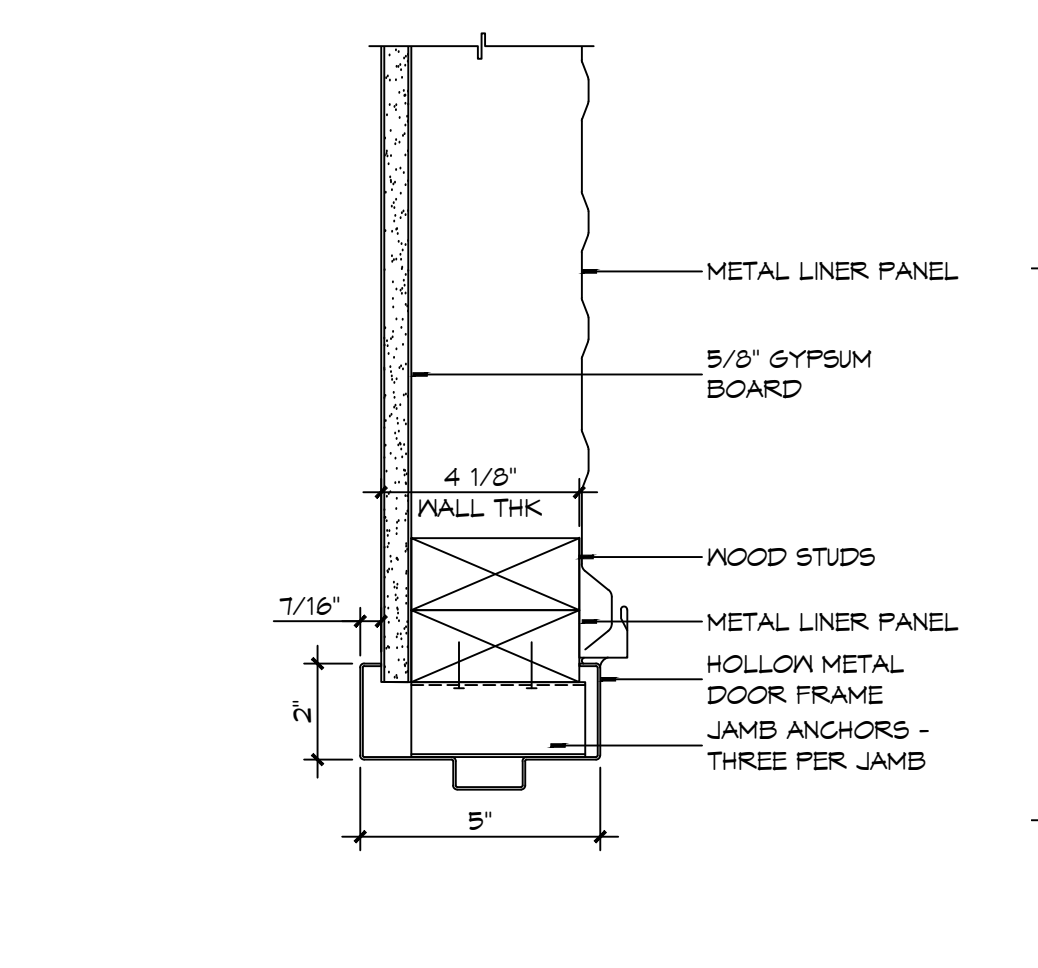
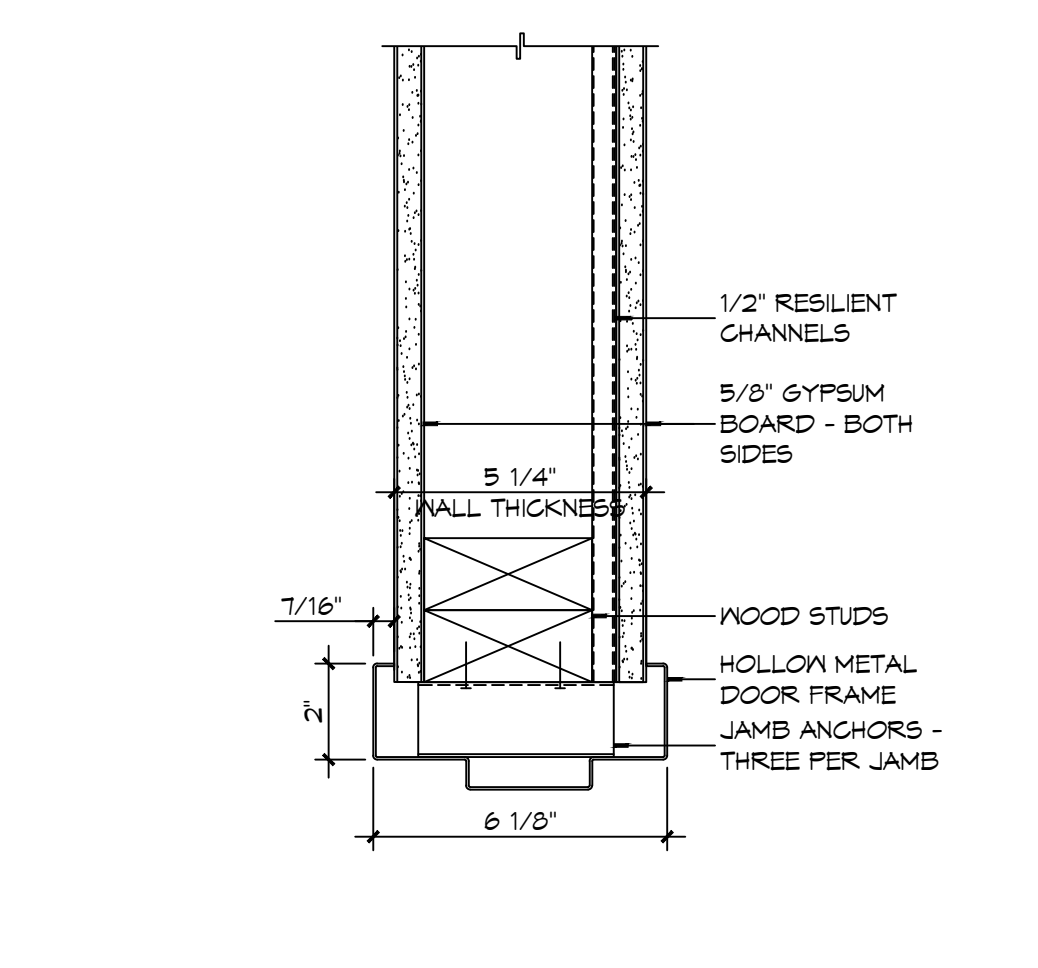
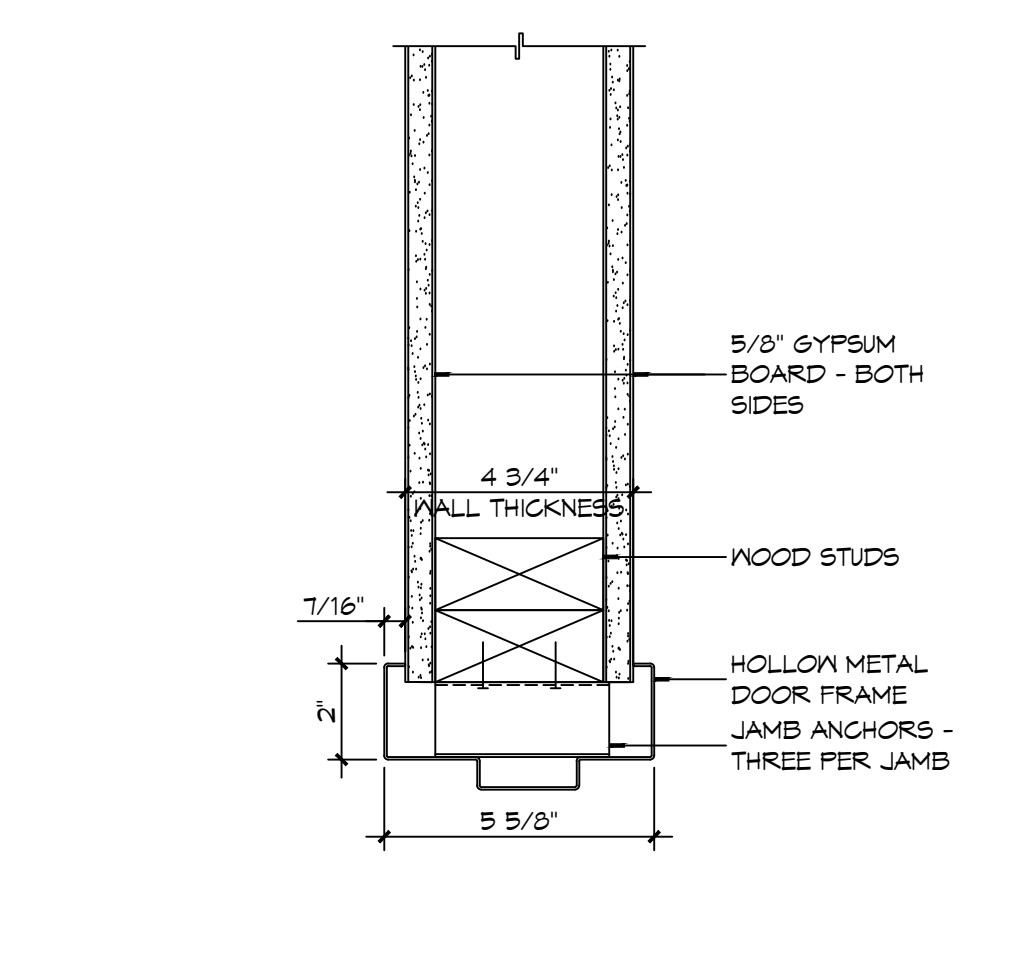
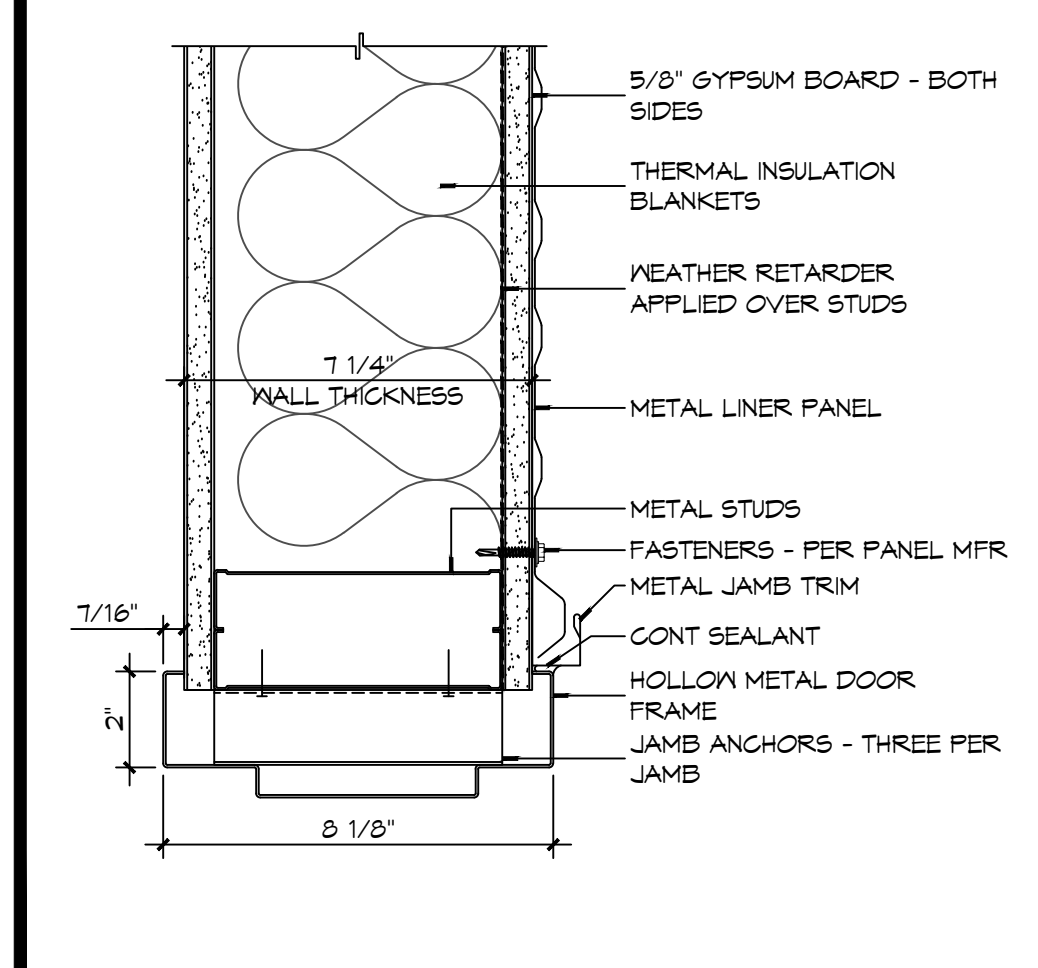
13 DOOR DETAIL
SCALE: 3" = 1'-0"

12 DOOR DETAIL
SCALE: 3" = 1'-0"

11 DOOR DETAIL
SCALE: 3" = 1'-0"

10 DOOR DETAIL
SCALE: 3" = 1'-0"

9 DOOR DETAIL
SCALE: 3" = 1'-0"



6 DOOR DETAIL
SCALE: 3" = 1'-0"

5 DOOR DETAIL
SCALE: 3" = 1'-0"

4 DOOR DETAIL
SCALE: 3" = 1'-0"

3 DOOR DETAIL
SCALE: 3" = 1'-0"

8 DOOR DETAIL
SCALE: 3" = 1'-0"

7 DOOR DETAIL
SCALE: 3" = 1'-0"

DAMMON ENGINEERING, INC.
LOUISIANA & MISSISSIPPI
www.dammonengineering.com
info@dammonengineering.com
PH: 985-649-5832
Chief Engineer: Brian Misch, PE
554 Old Spanish Trail
Slidell, LA 70458

#	DESCRIPTION	DATE

SEAL: _____

NEW FIRE STATION #10
ST. TAMMANY FIRE PROTECTION DISTRICT No. 1
246 LAKESHORE VISTA BLVD
SLIDELL, LA 70461
JOB No: 2519 DATE: 12-05-2025
DRAWN BY: CKD CHECKED BY: JMS
SHEET TITLE: DOOR DETAILS
DRAWING NUMBER: **A502**
SHEET No: 26 of 37