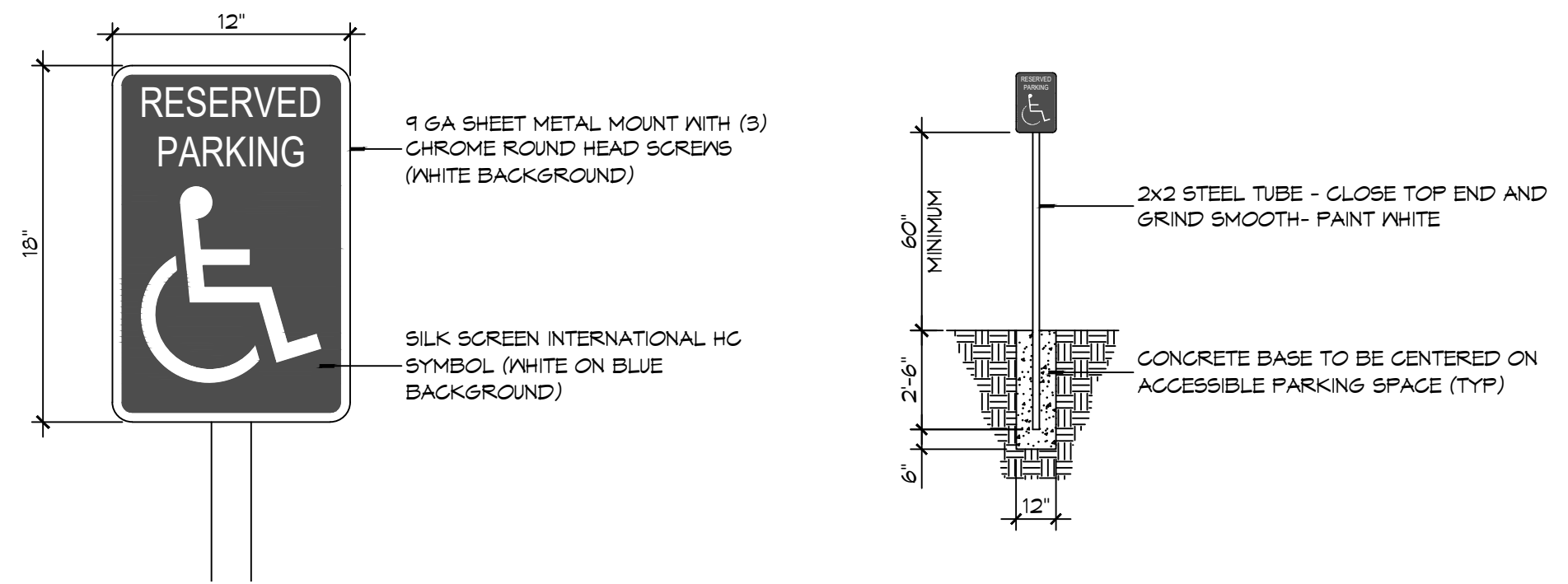
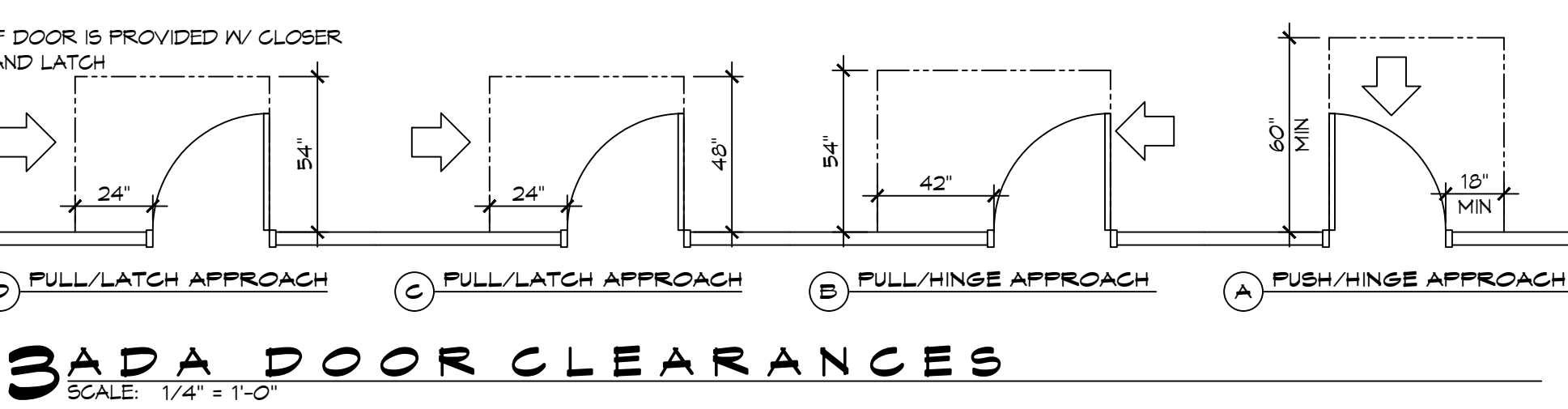
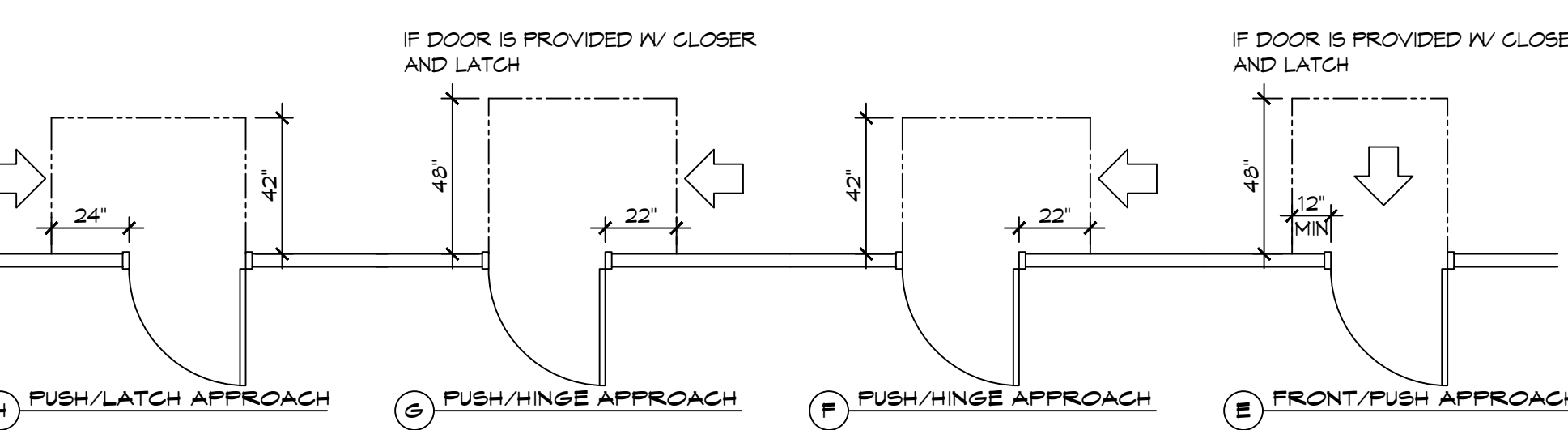
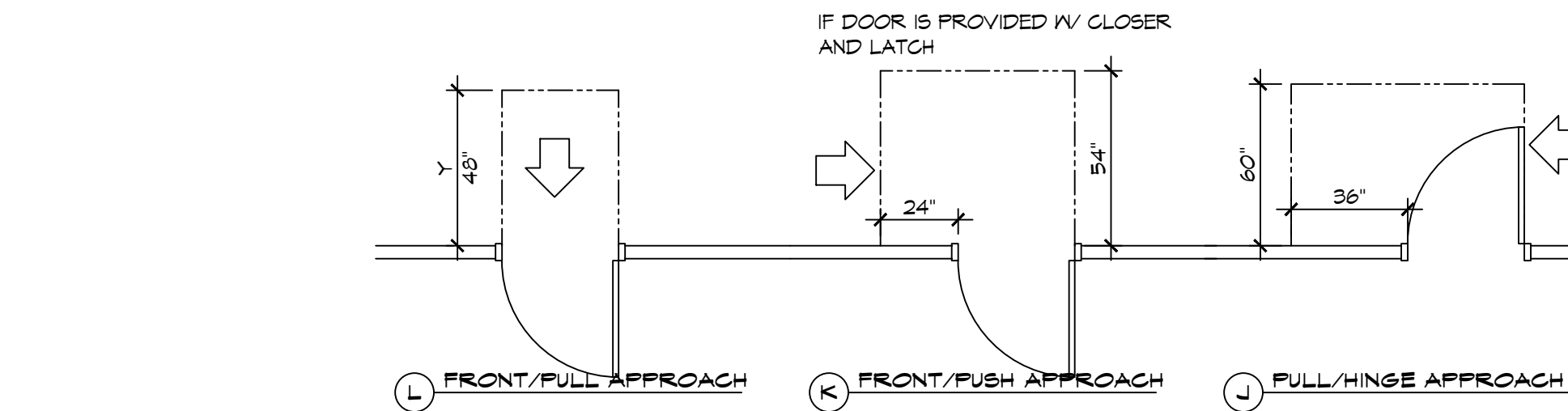


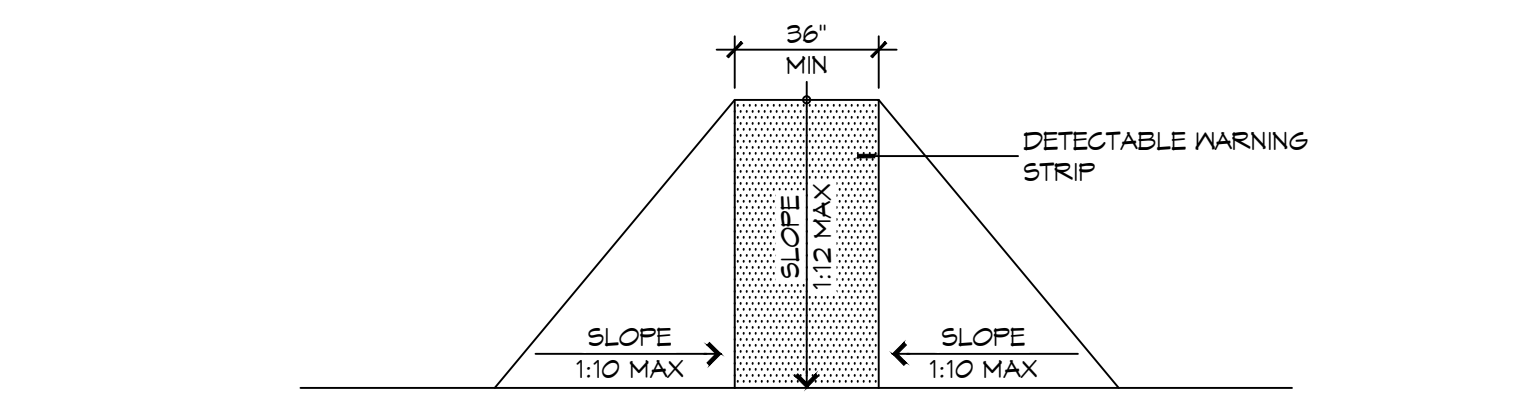
12/14/2013 11:58 AM C:\Users\james\Documents\2013\2013-01-08\2013-01-08.dwg 12/14/2013 11:58 AM C:\Users\james\Documents\2013\2013-01-08\2013-01-08.dwg



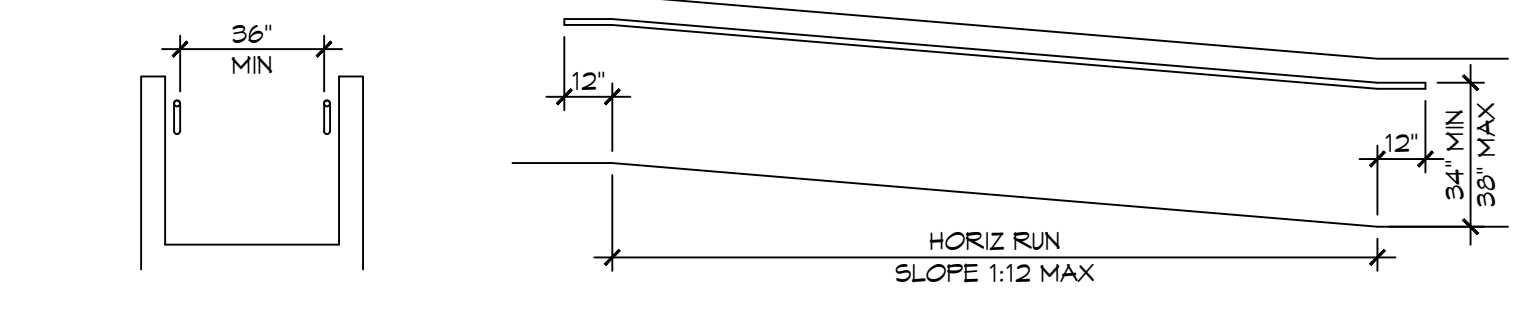
5 ACCESSIBLE SIGN
SCALE: NTS



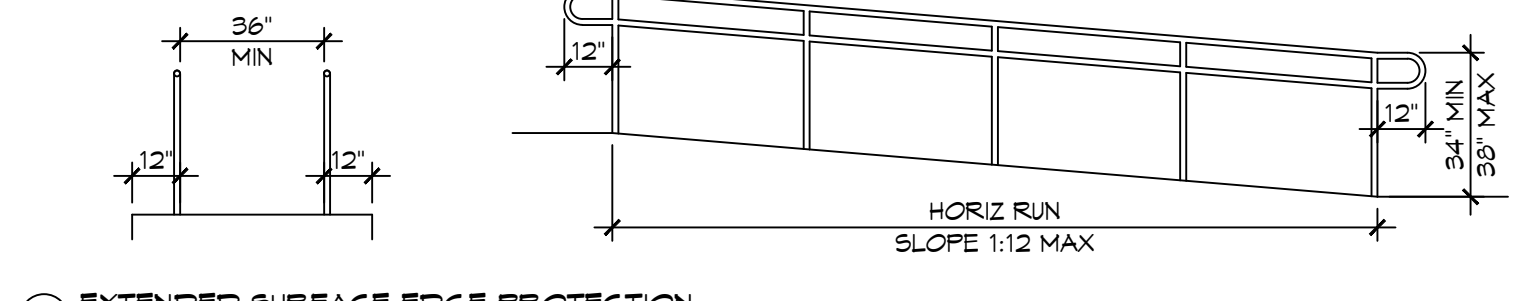
3 ADA DOOR CLEARANCES
SCALE: 1/4" = 1'-0"



F FLARED RAMPS

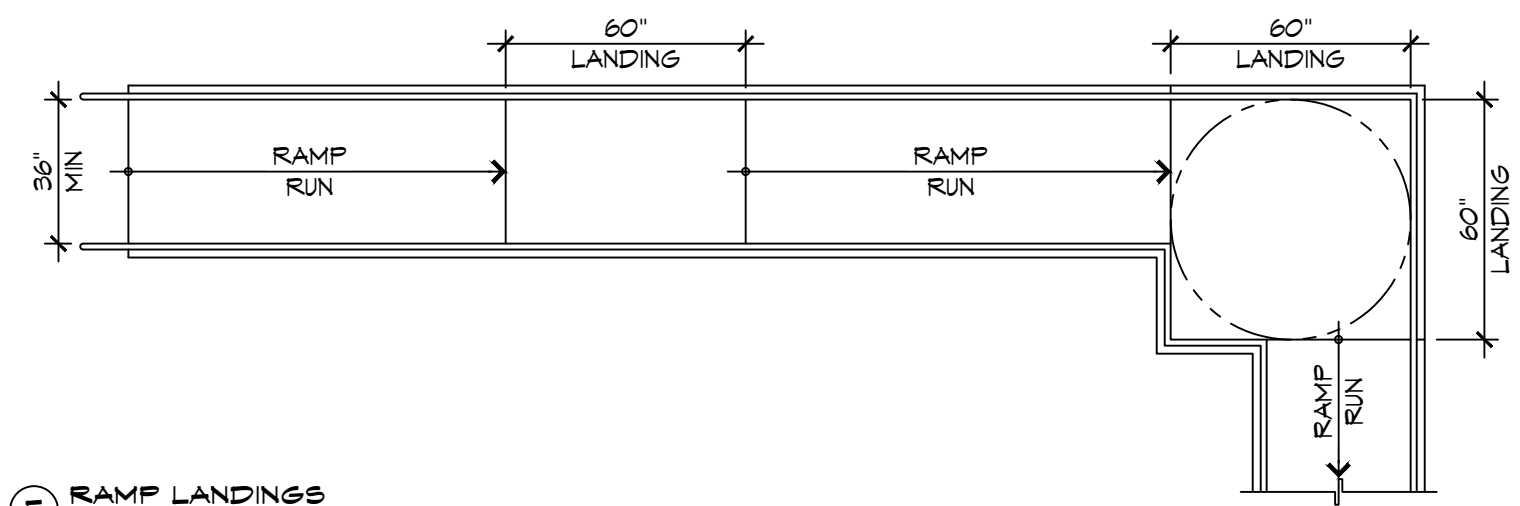


D WALL EDGE PROTECTION

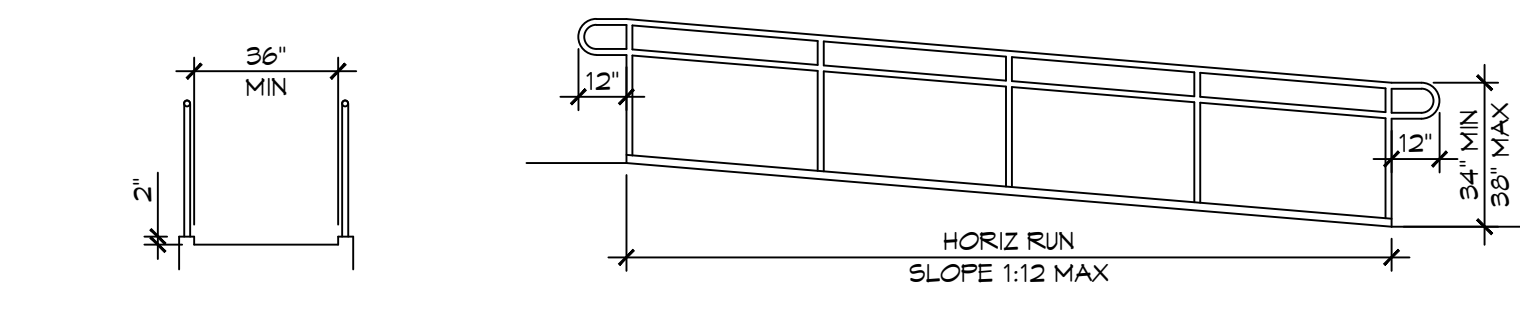


B EXTENDED SURFACE EDGE PROTECTION

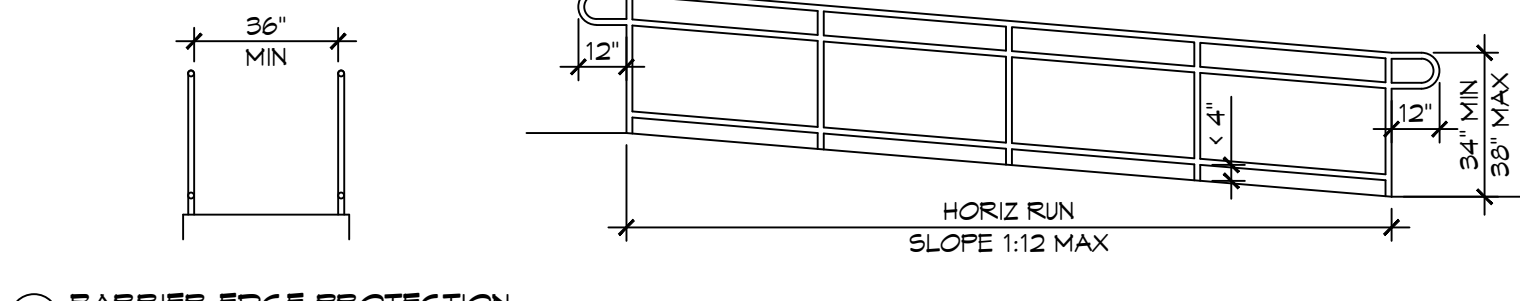
4 ACCESSIBLE RAMPS
SCALE: 1/4" = 1'-0"



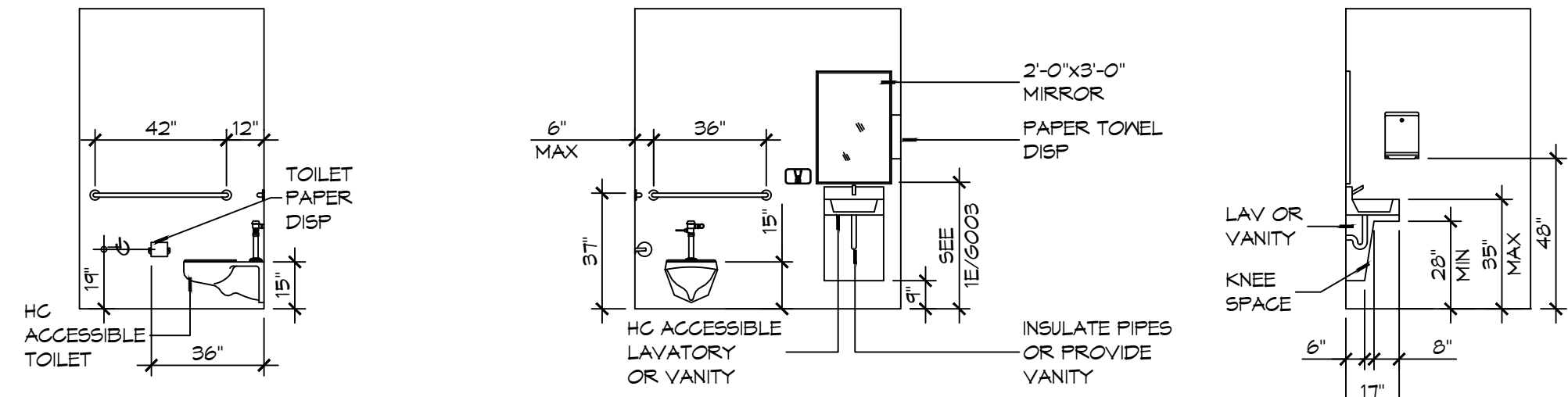
E RAMP LANDINGS



C CURB EDGE PROTECTION

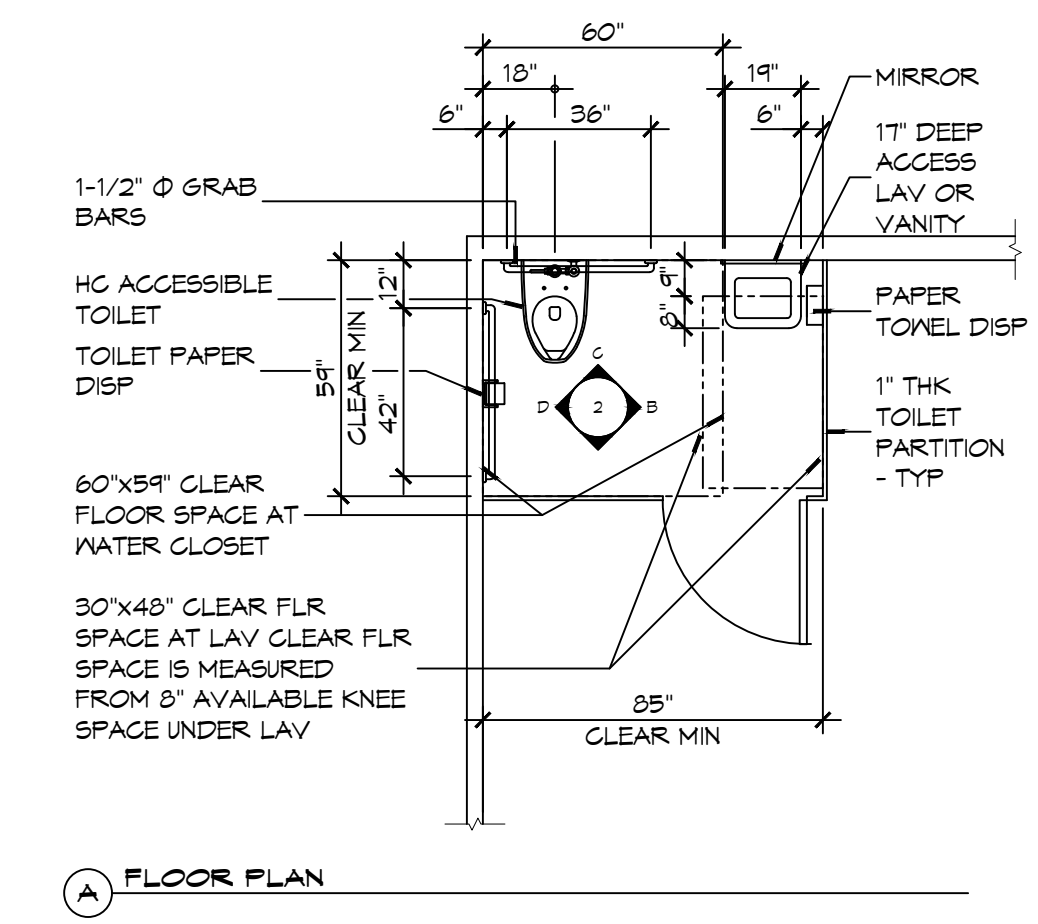


A BARRIER EDGE PROTECTION



D INTERIOR ELEVATION

2 RESTROOM CLEARANCES
SCALE: 1/4" = 1'-0"



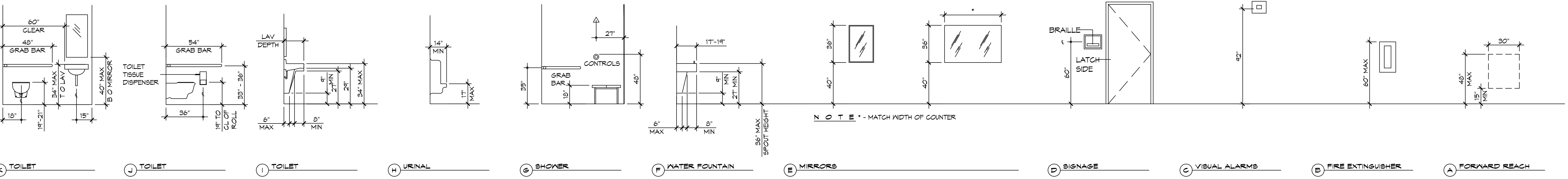
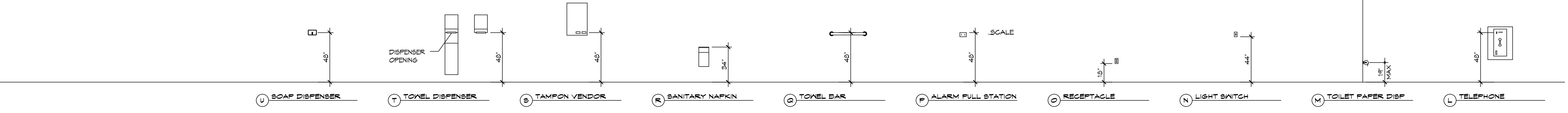
A FLOOR PLAN

ACCESSIBILITY NOTES

DOOR CLEARANCE NOTES
 ALCOVES SHALL COMPLY WITH THE CLEARANCES FOR FRONT APPROACHES. 31/6003 - 3K/6003.
 DOOR HARDWARE SHALL BE LEVER TYPE.
 MAX DOOR OPENING FORCE:
 INTERIOR HINGED DOORS: 5 LBF
 EXTERIOR HINGED DOORS: 8.5 LBF
 SLIDING OR FOLDING DOORS: 5 LBF
 FIRE DOORS SHALL HAVE THE MINIMUM OPENING FORCE ALLOWABLE BY THE APPROPRIATE ADMINISTRATIVE AUTHORITY.
 HARDWARE REQUIRED FOR ACCESSIBLE DOOR PASSAGE SHALL BE MOUNTED NO HIGHER THAN 48" AND NOT LESS THAN 34" ABOVE FINISHED FLOOR.
 THE FLOOR OR GROUND AREA WITHIN THE REQUIRED CLEARANCES SHALL BE LEVEL AND CLEAR.
 THRESHOLDS AT DOORWAYS SHALL NOT EXCEED 3/4" IN HEIGHT FOR EXTERIOR SLIDING DOORS OR 1/2" FOR OTHER TYPES OF DOORS. RAISED THRESHOLDS AND FLOOR LEVEL CHANGES AT ACCESSIBLE DOORWAYS SHALL BE BEVELED WITH A SLOPE NO GREATER THAN 1:2.
 DOORWAYS SHALL HAVE A MINIMUM CLEAR OPENING OF 32" WITH THE DOOR OPEN 90°. MEASURED BETWEEN THE FACE OF THE DOOR AND THE OPPOSITE STOP. OPENINGS MORE THAN 24" IN DEPTH SHALL MAINTAIN 32" MIN CLEARANCE.
RAMP NOTES
 THE CLEAR SPACE BETWEEN THE HANDRAIL AND THE WALL SHALL BE MIN 1-1/2" CLEAR.
 GRIPPING SURFACES SHALL BE CONTINUOUS AND UNOBSTRUCTED. ENDS OF HANDRAILS SHALL BE EITHER ROUNDED OR RETURNED SMOOTHLY TO FLOOR, WALL, OR POST.
 HANDRAILS SHALL NOT ROTATE WITHIN THEIR FITTINGS.
 THE CROSS SLOPE OF RAMP SURFACES SHALL BE NO GREATER THAN 1:50.
 OUTDOOR RAMPS AND THEIR APPROACHES SHALL BE DESIGNED SO THAT WATER WILL NOT ACCUMULATE ON WALKING SURFACES.
 RAMPS AND LANDINGS WITH DROP-OFFS SHALL HAVE CURBS, WALLS, RAILINGS, OR PROJECTING SURFACES THAT PREVENT PEOPLE FROM SLIPPING OFF THE RAMP. CURBS SHALL BE A MINIMUM OF 2" HIGH.
 HANDRAILS SHALL BE PROVIDED ALONG BOTH SIDES OF RAMP SEGMENTS. THE INSIDE HANDRAIL ON SWITCHBACK OR DOGLEG RAMPS SHALL ALWAYS BE CONTINUOUS.
 RAMP LANDINGS SHALL BE AT LEAST AS WIDE AS THE RAMP RUN LEADING TO IT.

GENERAL SITE ACCESSIBILITY NOTES

1. ACCESSIBILITY SIGNAGE SHALL COMPLY WITH ADAAG 2010 GUIDELINES SECTION 303.7.
2. SEE SHEET 0003 FOR ACCESSIBLE RAMP AND HANDRAIL DESIGNS WHERE THEY OCCUR.
3. ALL ACCESSIBLE PARKING SPACES AND AISLES THAT SERVE THEM SHALL COMPLY WITH ADAAG 2010 GUIDELINES SECTIONS 302.4 AND 302.5.
4. OPENINGS IN GROUND SURFACES SHALL COMPLY WITH ADAAG 2010 GUIDELINES SECTION 302.3.
5. VERTICAL CHANGES IN ELEVATION ALONG ALL ACCESSIBLE ROUTES SHALL COMPLY WITH ADAAG 2010 GUIDELINES SECTIONS 303.2, 303.3, AND 303.4.
6. PARKING SPACES DESIGNATED AS ACCESSIBLE SHALL INCLUDE THE INTERNATIONAL SYMBOL OF ACCESSIBILITY COMPLYING WITH ADAAG 2010 GUIDELINES SECTIONS 303.2.1 AND 302.6.
7. ALL ACCESSIBLE PARKING SPACES AND ROUTES SERVING THEM SHALL HAVE A ROUGH, SLIP-RESISTANT SURFACE OR LIGHT BROOM FINISH IN COMPLIANCE WITH ADAAG 2010 GUIDELINES SECTION 302.1.



1 MOUNTING HEIGHTS
SCALE: 1/4" = 1'-0"

DAMMON ENGINEERING, INC.
 LOUISIANA & MISSISSIPPI
 Chief Engineer: Brian M. Misch, PE
 554 Old Spanish Trail
 Slidell, LA 70458
 www.dammonengineering.com
 info@dammonengineering.com
 PH: 985.649.5832

#	DESCRIPTION	DATE



**NEW FIRE STATION #10
 ST. TAMMANY FIRE PROTECTION
 DISTRICT NO. 1**
 2146 LAKESHORE VISTA BLVD
 SLIDELL, LA 70461
 JOB No: 2519 DATE: 12-05-2025
 DRAWN BY: JME CHECKED BY: CKD
 SHEET TITLE: ACCESSIBILITY INFORMATION
 DRAWING NUMBER:
GOOB
 SHEET No: 3 of 37