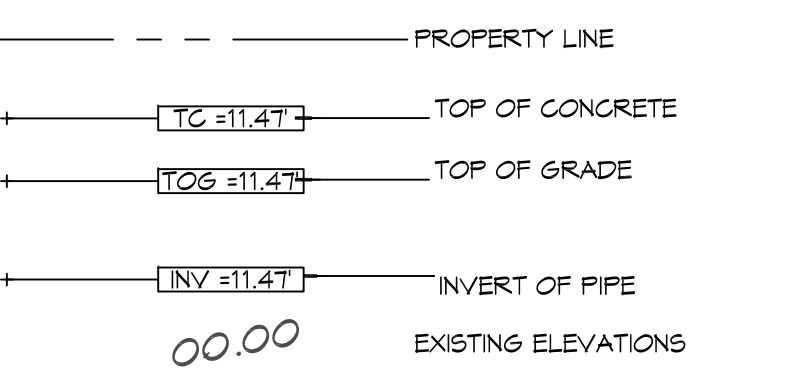


PL. NAME: A-1, GENERAL CONTRACTOR: J. R. SHINE, 4100 BIRCHWOOD DRIVE, SUITE 100, MONROE, LOUISIANA 70133  
 DATE: 01-22-26  
 DRAWN BY: BAW  
 CHECKED BY: CKD  
 PROJECT: NEW FIRE STATION #10, ST. TAMMANY FIRE PROTECTION DISTRICT NO. 1

**SITE DRAINAGE LEGEND**



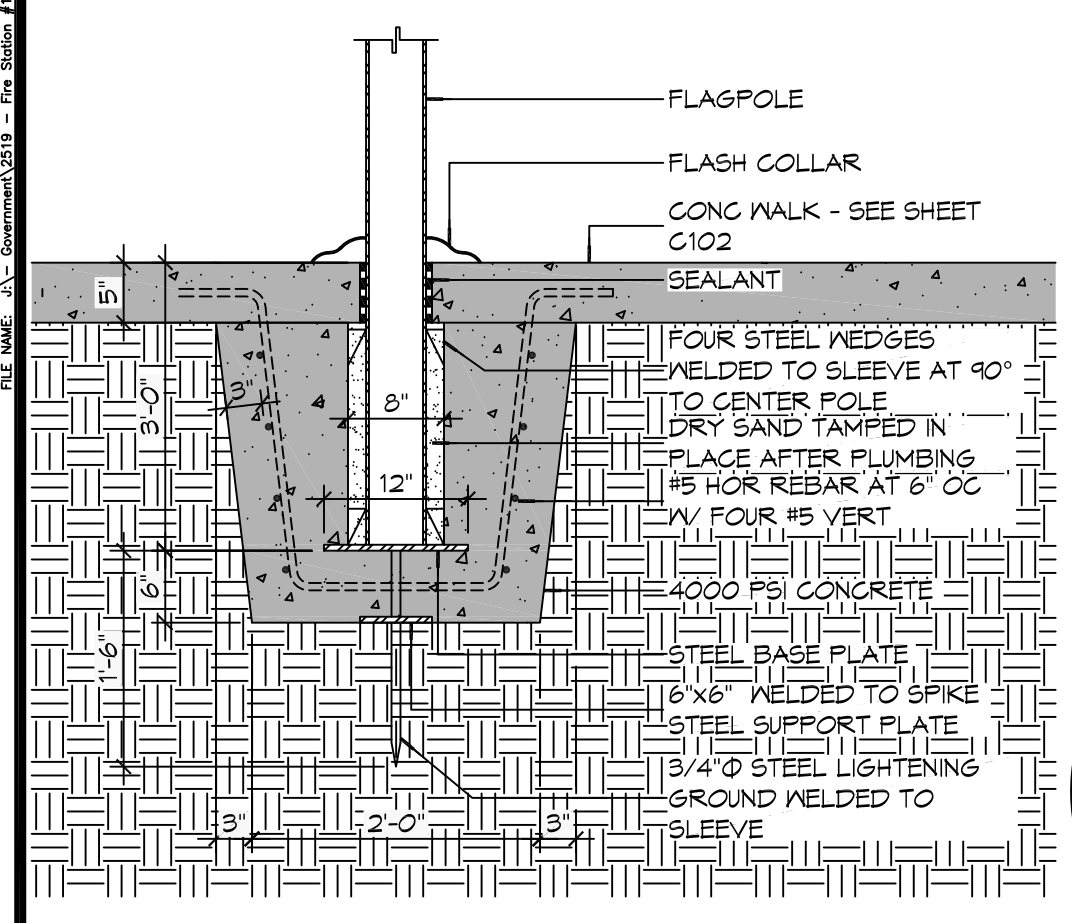
**AREA OF FILL (CUBIC YARDS)**

2,840 CUBIC YARDS

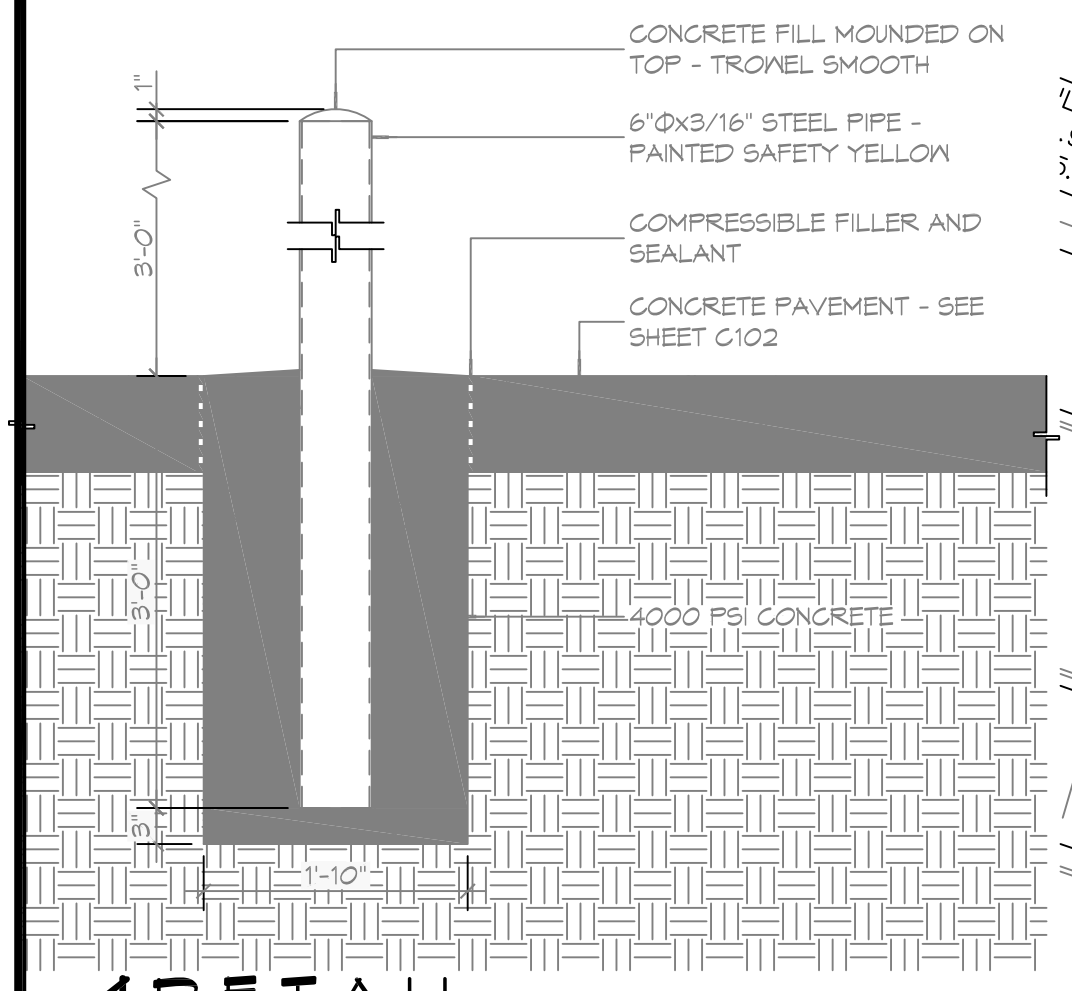
**GENERAL NOTES**

- ALL NEW CONCRETE SHALL HAVE A MINIMUM COMPRESSIVE STRENGTH OF 4,000 PSI AT 28 DAYS AND A MINIMUM THICKNESS OF 6". CONCRETE MIX SHALL BE IN ACCORDANCE WITH THE LATEST REVISION OF ASTM C-150 TYPE 1.
- CONCRETE PAVING THICKNESS SHALL VARY AS FOLLOWS:
  - APRONS & LOADING AREAS = 8" THICKNESS
  - DRIVE LANES & PARKING AREAS = 6" THICKNESS
- ALL REINFORCING STEEL SHALL MEET ASTM-A615 (GRADE 60).
- ALL REINFORCING STEEL SHALL BE SECURELY SUPPORTED TO PREVENT BOTH VERTICAL AND HORIZONTAL MOVEMENT DURING CONCRETE PLACEMENT. ALL CONTROL AND EXPANSION JOINTS SHALL BE LOCATED AND INSTALLED AS SHOWN ON THE PAVING PLAN AND IN ACCORDANCE WITH THE MANUFACTURER'S RECOMMENDATIONS.
- ALL SUB GRADE FILL SHALL BE SELECT GRANULAR MATERIAL COMPACTED TO 95% STANDARD PROCTOR DENSITY IN A MAXIMUM OF 6" LIFTS.
- CONTRACTOR SHALL CONTACT THEIR REGULATORY DEPARTMENT OF ENGINEERING PRIOR TO CONDUCTING ANY WORK.
- ANY WORK WITHIN THE ROADWAY OR ADJACENT TO THE ROADWAY CAUSING AN INTERFERENCE TO VEHICULAR TRAFFIC MUST CONFORM TO THE REQUIREMENTS SET FORTH BY THE UNIFORM MANUAL OF TRAFFIC CONTROL DEVICES OF THE STATE OF LOUISIANA. THE CONTRACTOR MUST FURNISH ALL NECESSARY TRAFFIC SIGNS AND/OR BARRICADES AND MAINTAIN THEM DURING CONSTRUCTION ACTIVITY.

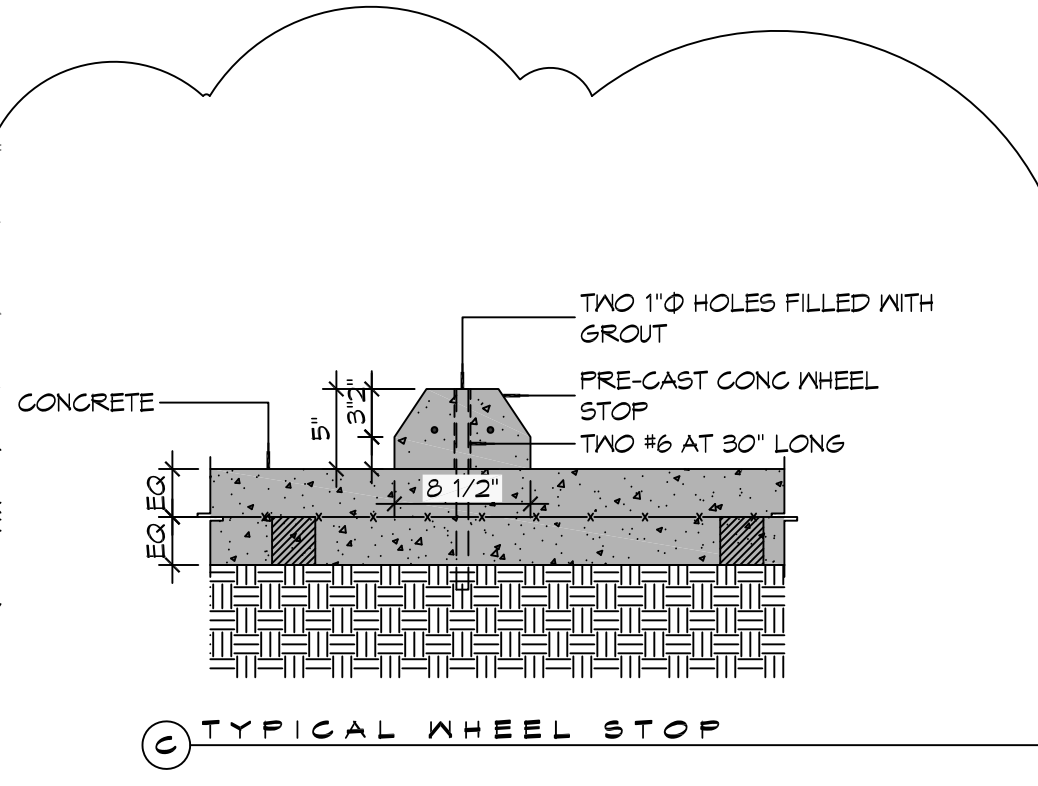
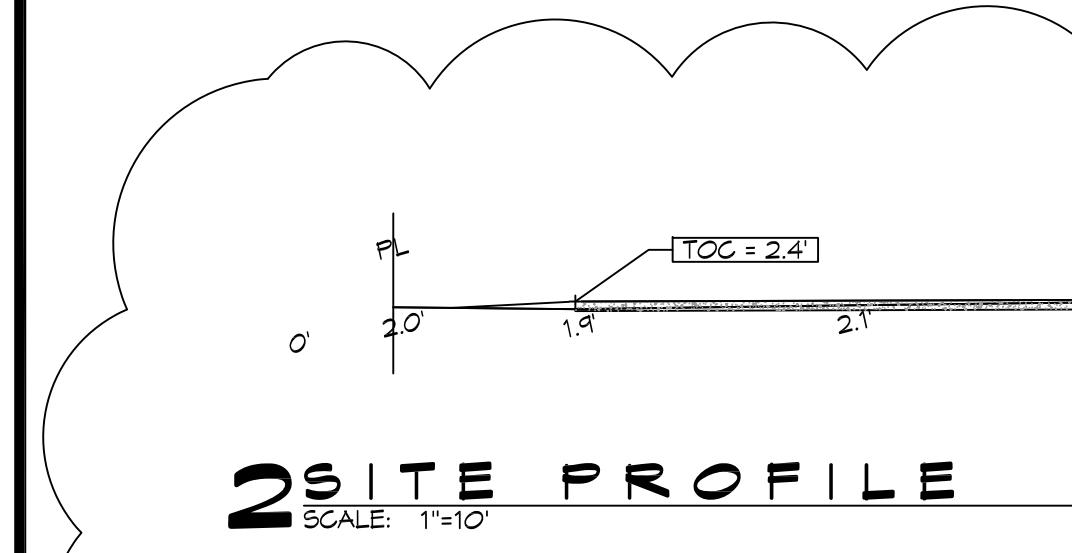
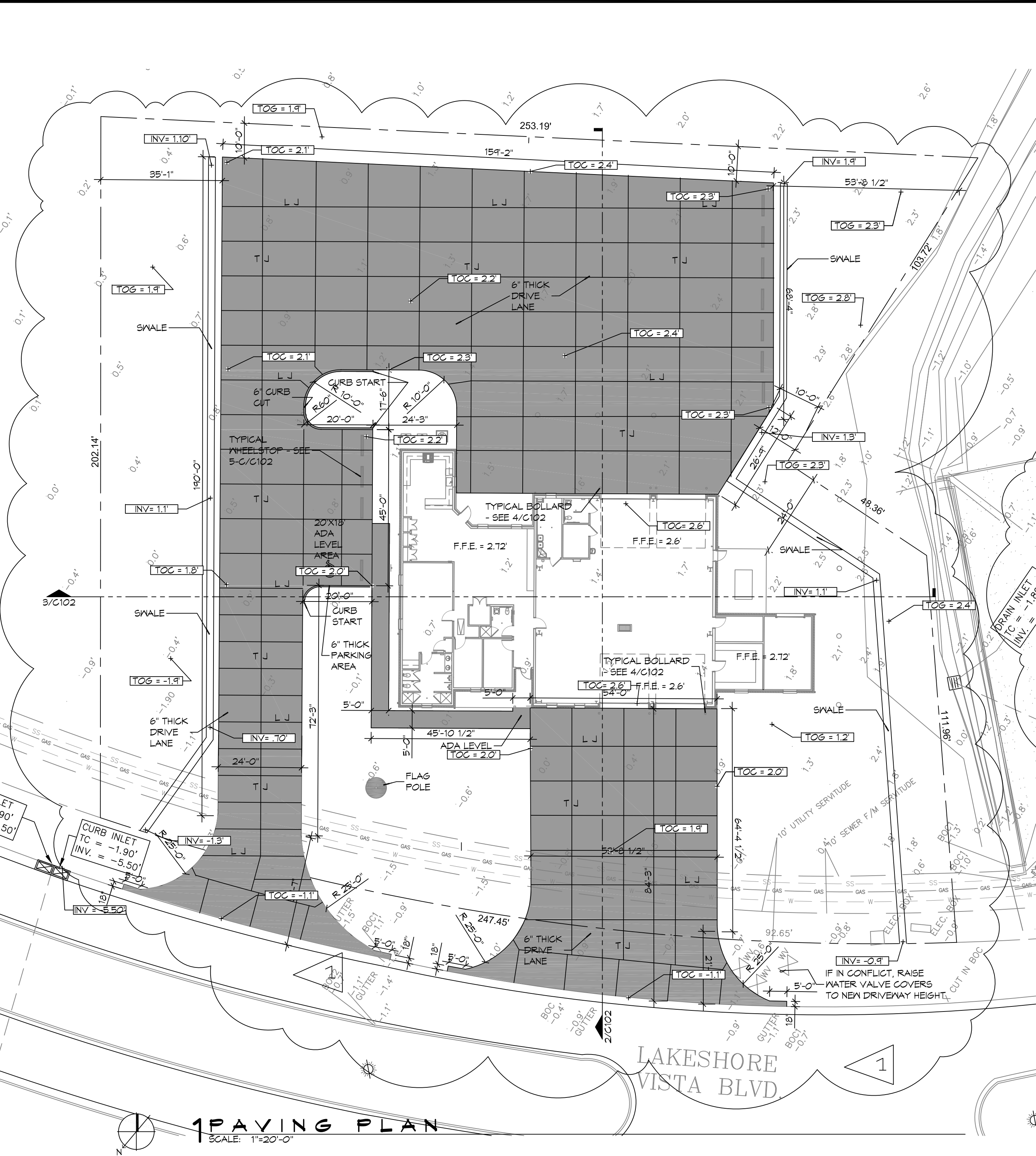
**DAMMON ENGINEERING, INC.**  
 LOUISIANA & MISSISSIPPI  
 Chief Engineer: Brian Mistich, PE  
 554 Old Spanish Trail  
 Slidell, LA 70488  
 www.dammonengineering.com  
 info@dammonengineering.com  
 PH: 985.649.5832



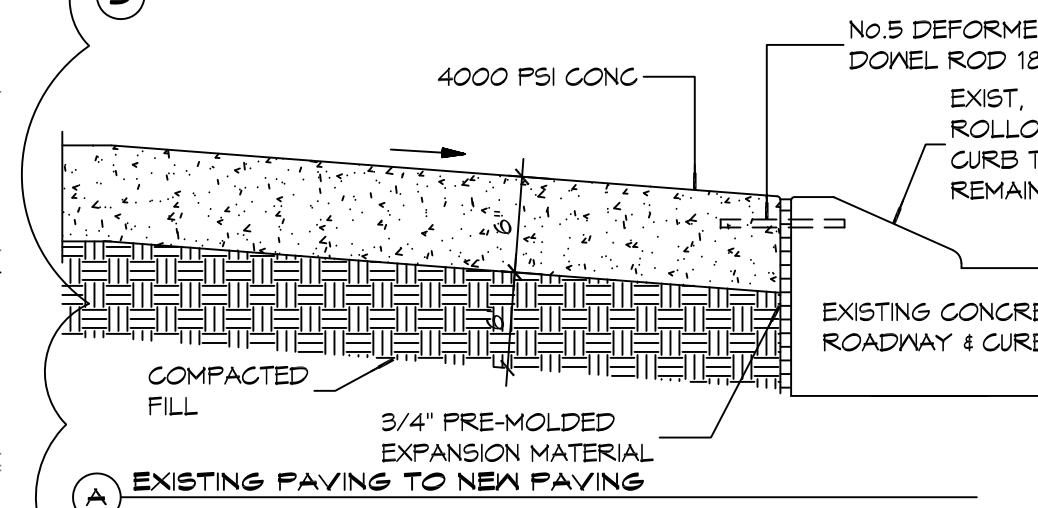
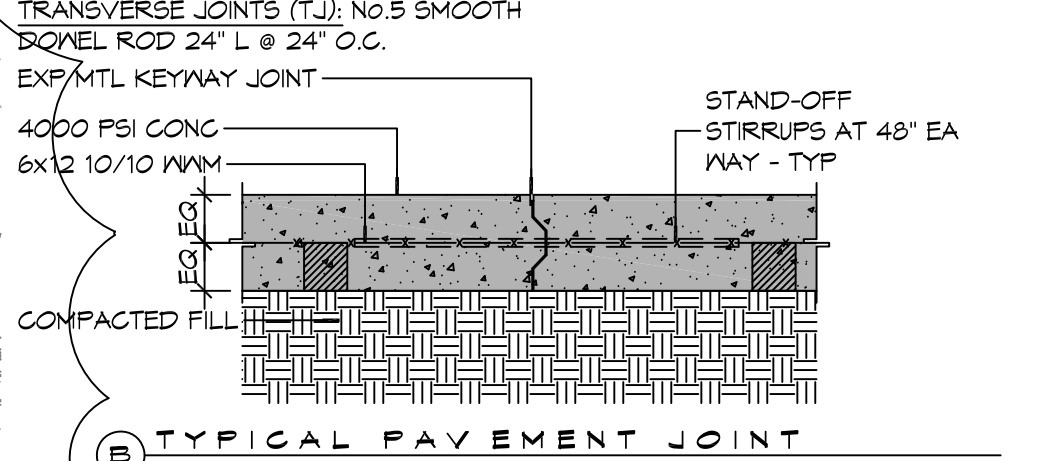
6 DETAIL SCALE: 3/4" = 1'-0" FLAGPOLE FOUNDATION



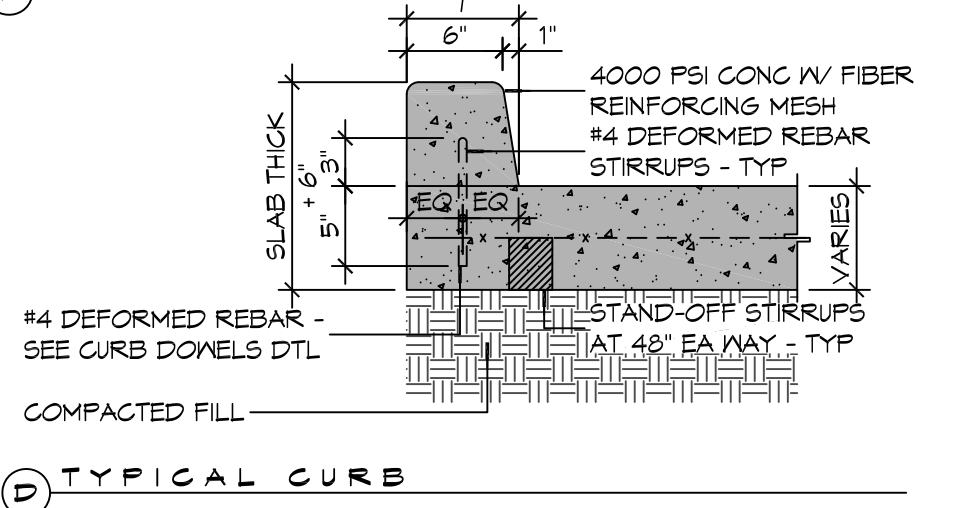
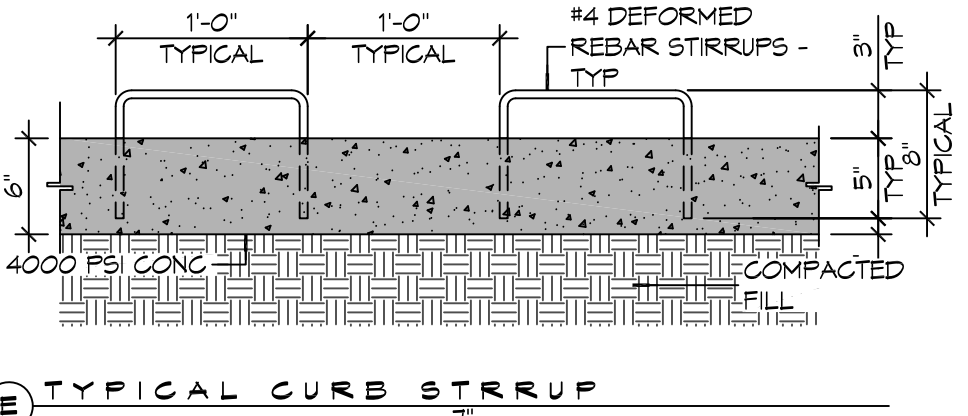
4 DETAIL SCALE: 3/4" = 1'-0" TYPICAL BOLLARD



6" MTL KEYWAY JOINT SYSTEM NOTE:  
 LONGITUDINAL JOINTS (LJ): NO. 5 DEFORMED DOYEL ROD 24" L @ 24" O.C.  
 TRANSVERSE JOINTS (TJ): NO. 5 SMOOTH DOYEL ROD 24" L @ 24" O.C.  
 EXP. MTL KEYWAY JOINT



**5 PAVING DETAIL**  
SCALE: N.T.S.



#	DESCRIPTION	REVISIONS	DATE
1	RELOCATED HDGP PARKING, ADDED 5' WALK, ADDED CONCRETE CURB, RADIUS 25'		01-22-26
	RELOCATED SWALES		



**NEW FIRE STATION #10**  
**ST. TAMMANY FIRE PROTECTION DISTRICT NO. 1**  
 246 LAKESHORE VISTA BLVD  
 SLIDELL, LA 70461  
 JOB NO: 2519  
 DATE: 1-16-2026  
 DRAWN BY: BAW  
 CHECKED BY: CKD

SHEET TITLE:  
 DETAIL SITE GRADING AND PAVING PLAN, PAVING DETAILS

DRAWING NUMBER:

**C102**