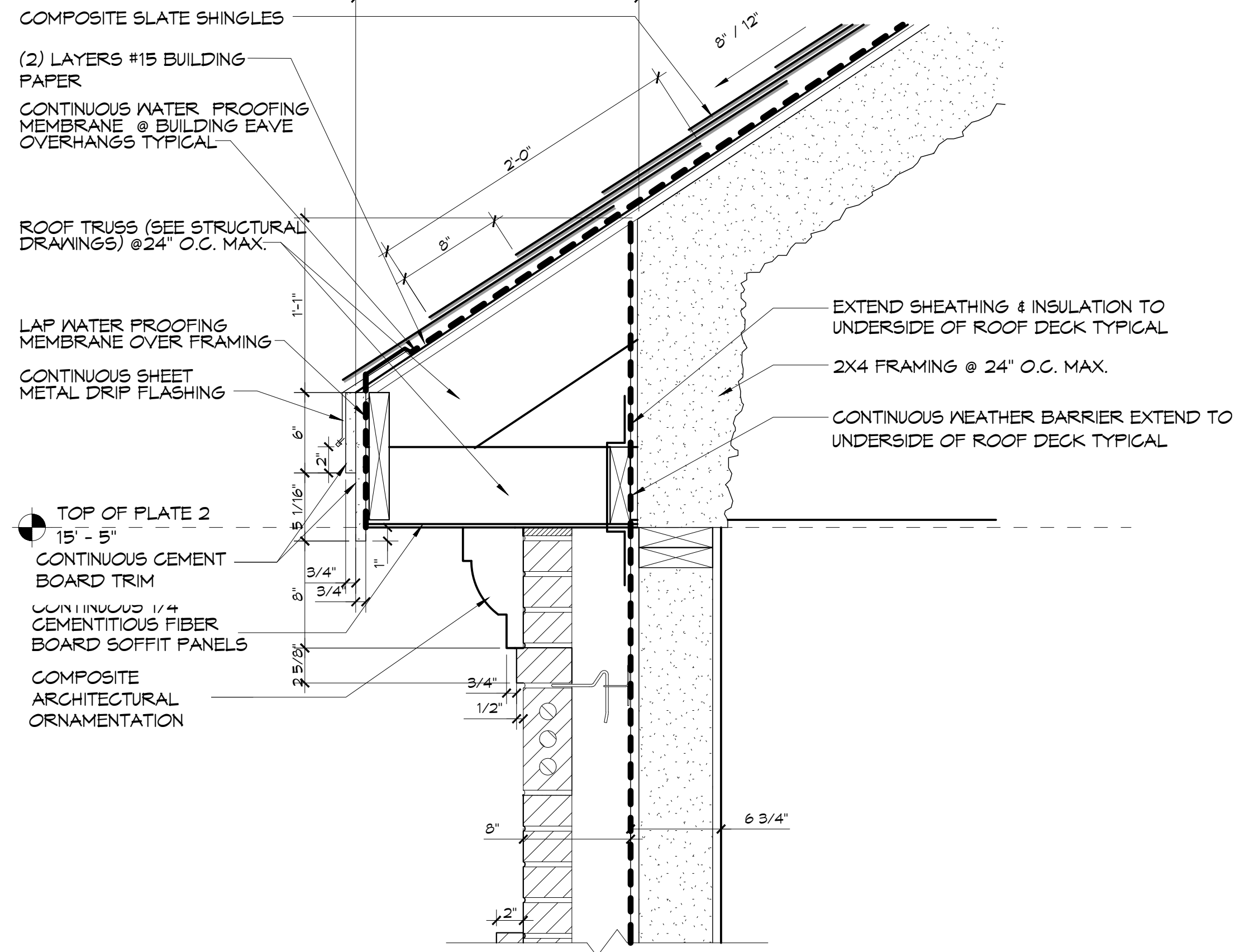
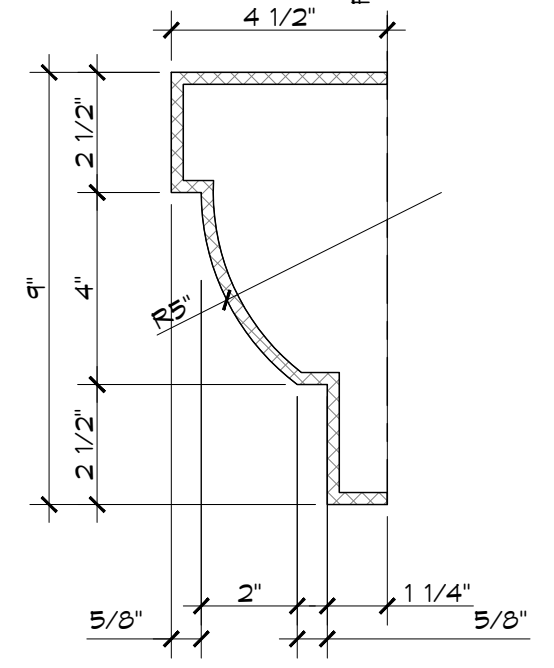


TYPICAL COMPOSITE SLATE SHINGLE ROOF ASSEMBLY
 -COMPOSITE SLATE SHINGLES
 -(2) LAYERS #15 BUILDING PAPER
 -CONTINUE SELF ADHERED WATER PROOF MEMBRANE EQUAL GRADE ICE & WATER SHIELD OR EQ AT ALL EAVES, VALLEYS, RIDGES & OTHER SIMILAR TRANSITIONS.
 -CONTINUE ROOF DECKING (SEE STRUCTURAL)
 -OPEN CELL SPRAY FOAM INSULATION CONTINUES BETWEEN STRUCTURE @ DECK (MIN 5" THICK)

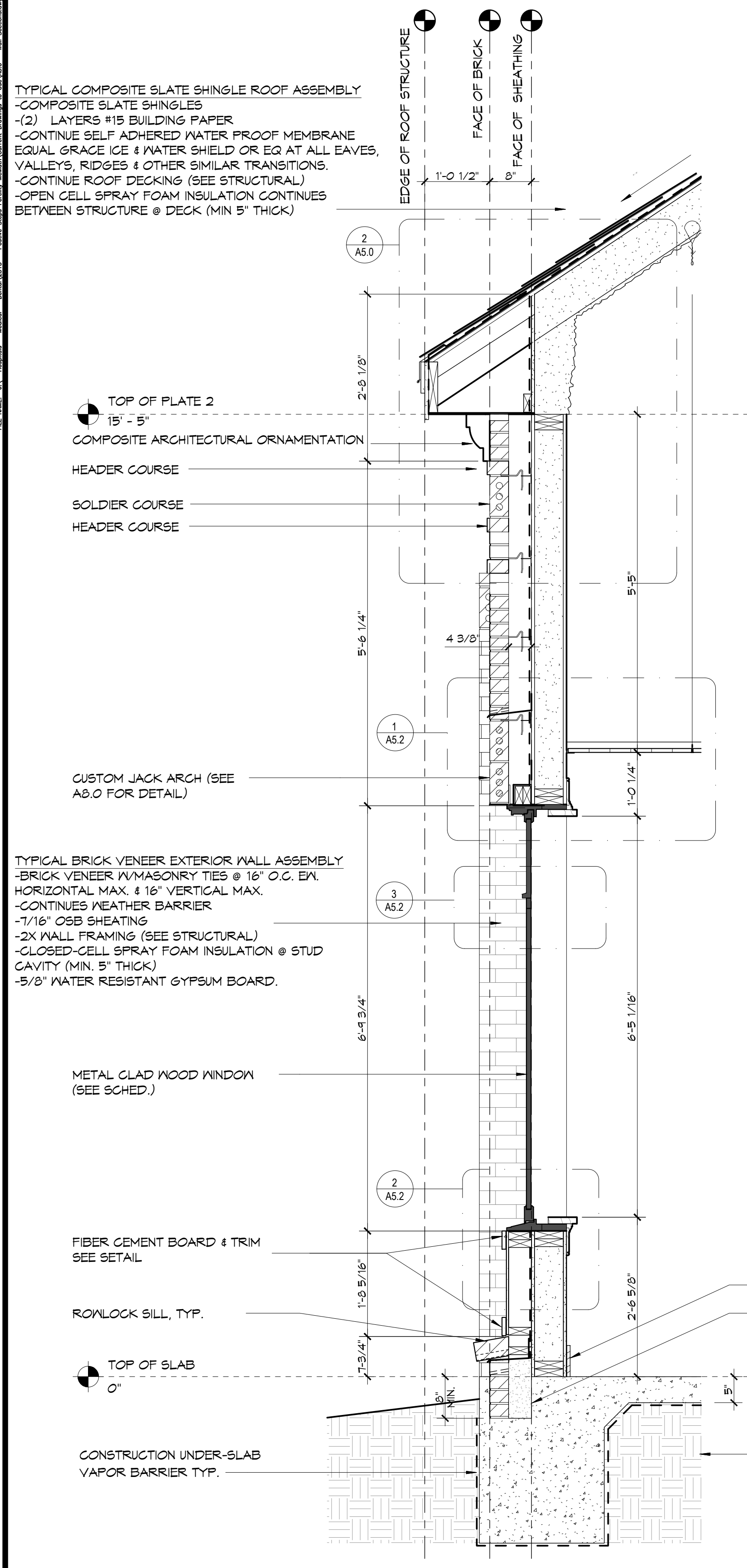


2 WALL SECTION DETAIL
 SCALE: 1-1/2" = 1'-0"

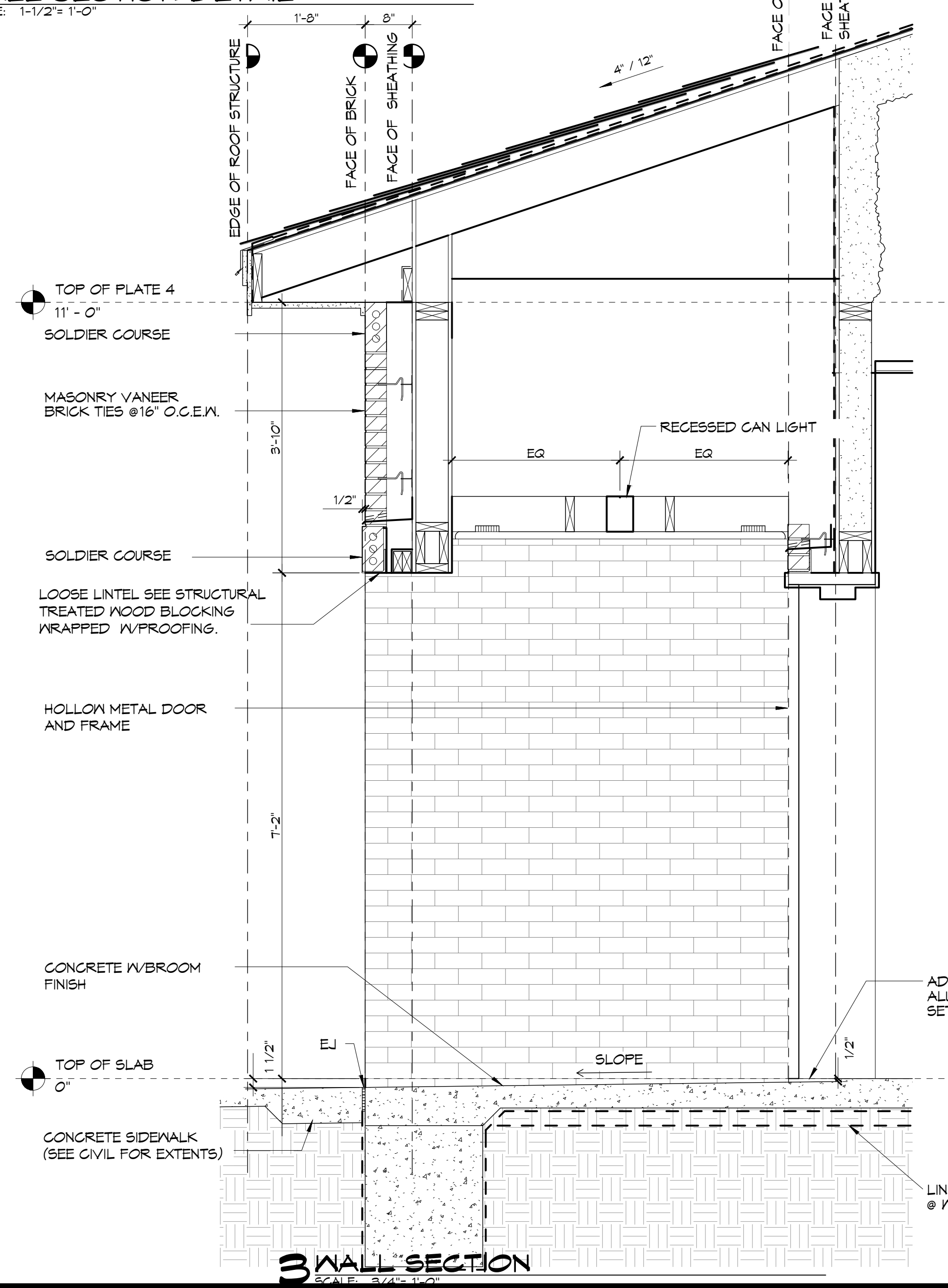
5 CORNICE PROFILE DETAIL
 SCALE: 3" = 1'-0"



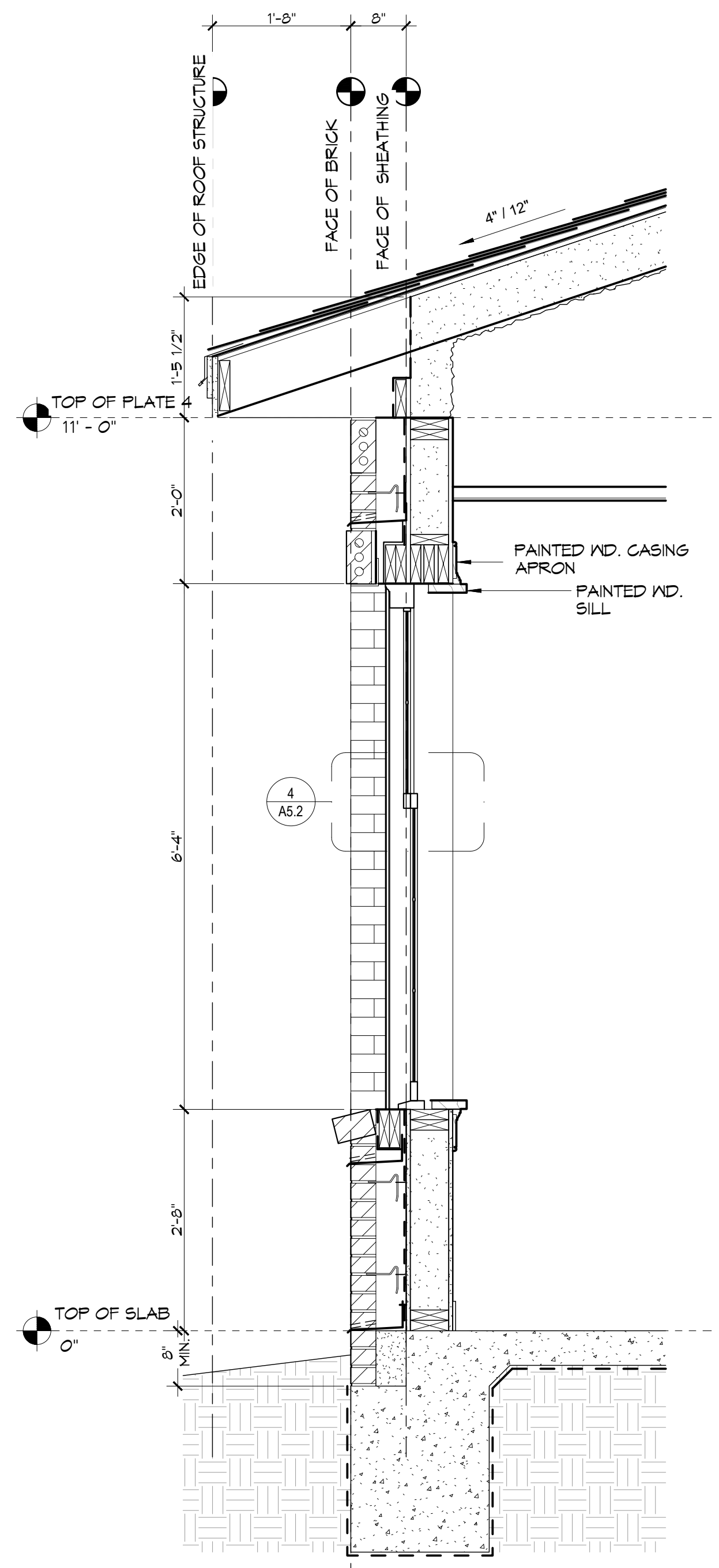
TYPICAL BRICK VENEER EXTERIOR WALL ASSEMBLY
 -BRICK VENEER W/MASONRY TIES @ 16" O.C. E/W.
 -HORIZONTAL MAX. & 16" VERTICAL MAX.
 -CONTINUES WEATHER BARRIER
 -1/16" OSB SHEATHING
 -2X WALL FRAMING (SEE STRUCTURAL)
 -CLOSED-CELL SPRAY FOAM INSULATION @ STUD CAVITY (MIN. 5" THICK)
 -5/8" WATER RESISTANT GYPSUM BOARD.



4 WALL SECTION
 SCALE: 3/4" = 1'-0"



3 WALL SECTION
 SCALE: 3/4" = 1'-0"



1 WALL SECTION
 SCALE: 3/4" = 1'-0"

#	DESCRIPTION	DATE

SEAL: _____

NEW MEDICAL OFFICE
DIANA OAK HARBOR REAL ESTATE LLC
 540 OAK HARBOR BLVD
 SLIDELL, LA 70458
 JOB No: 2513 | DATE: 05-16-2025
 DRAWN BY: CKD | CHECKED BY: JMS

SHEET TITLE:
 WALL SECTIONS
 DRAWING NUMBER:
A5.0
 SHEET No: 17 of 52