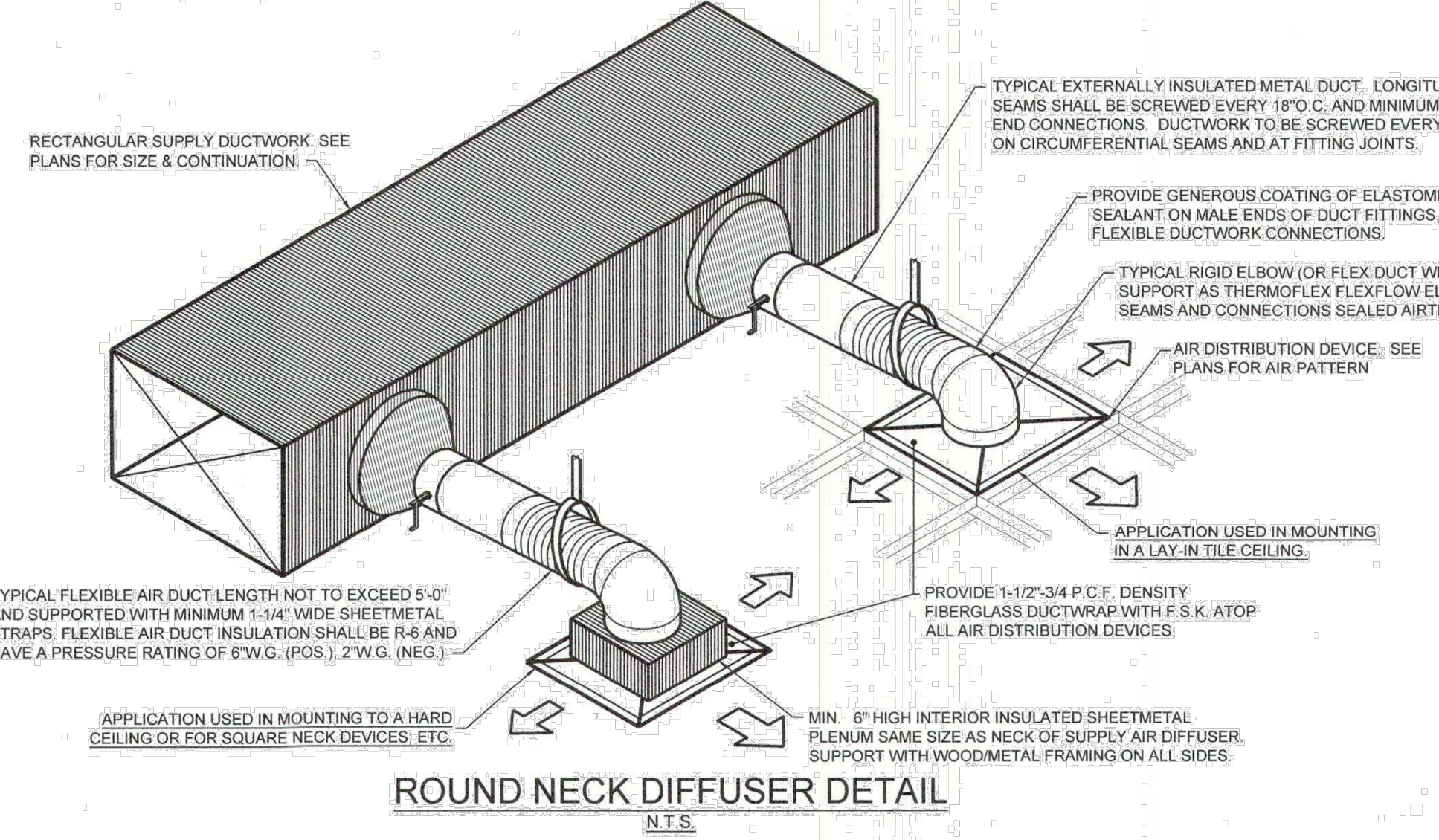
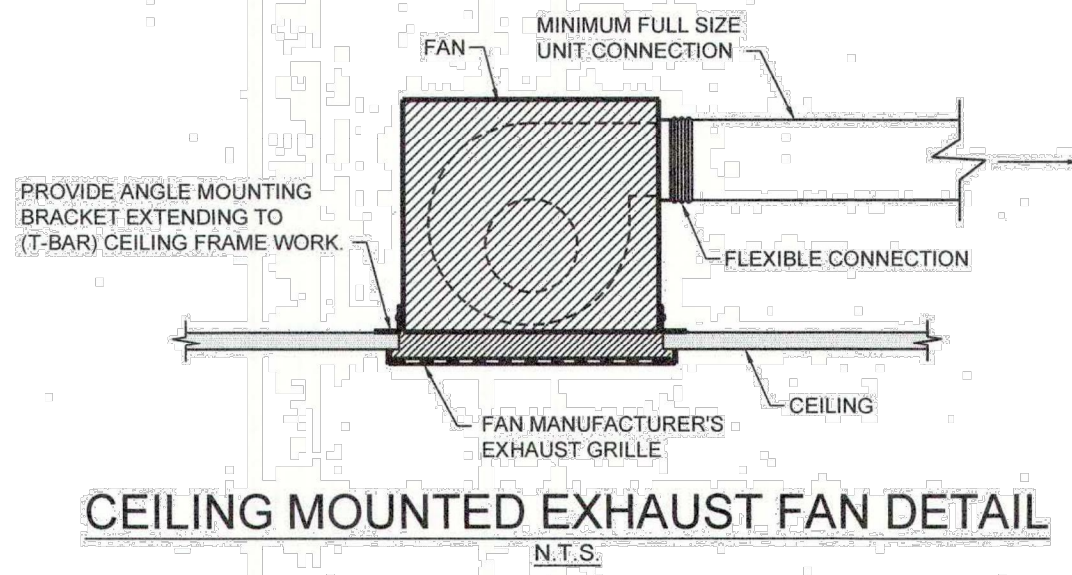
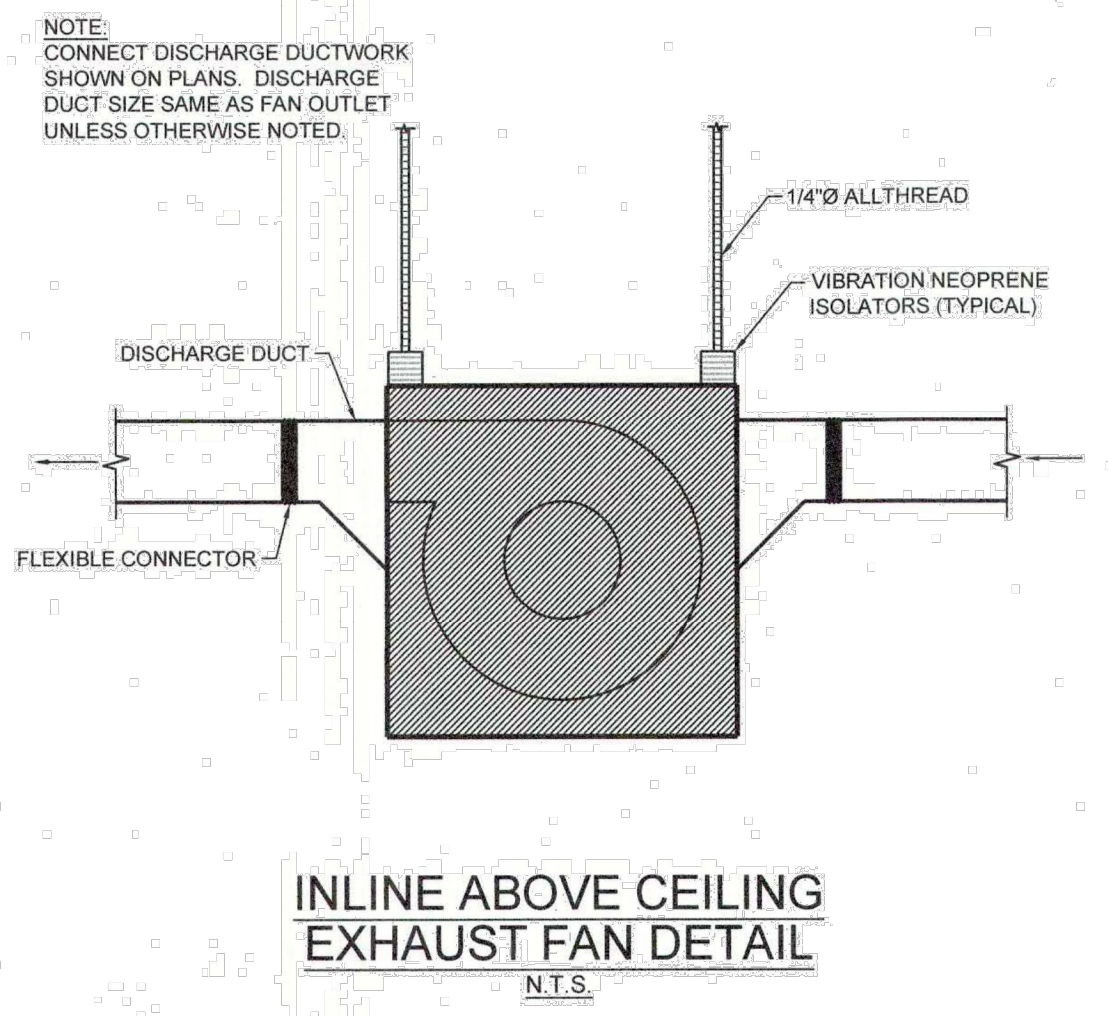
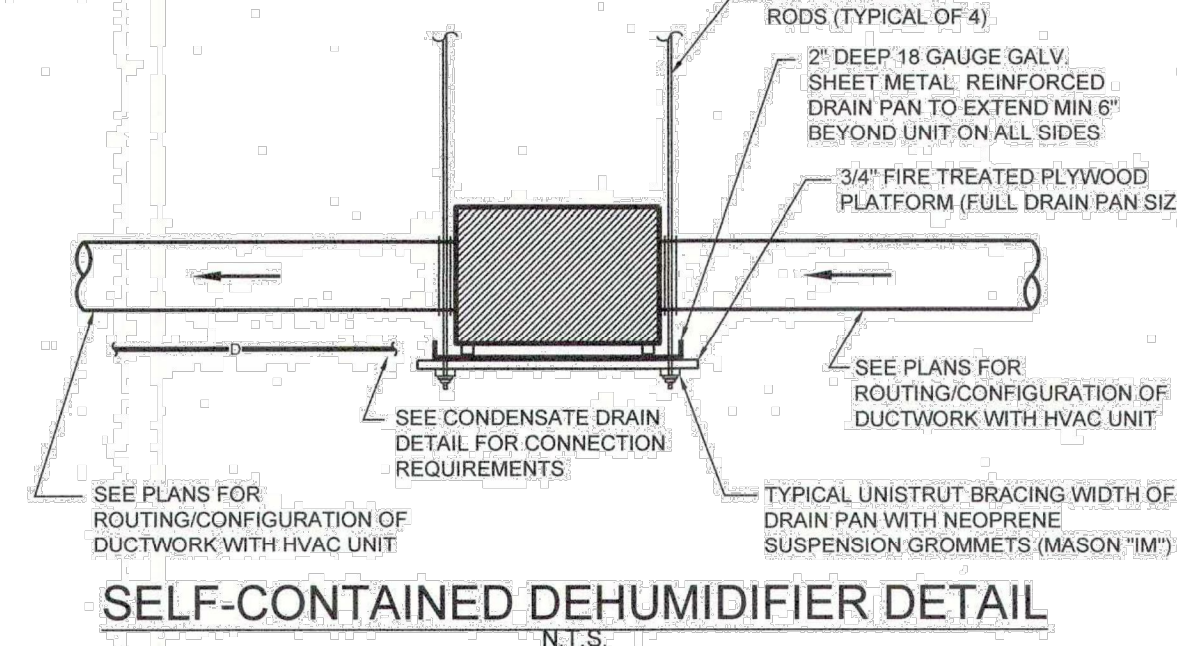
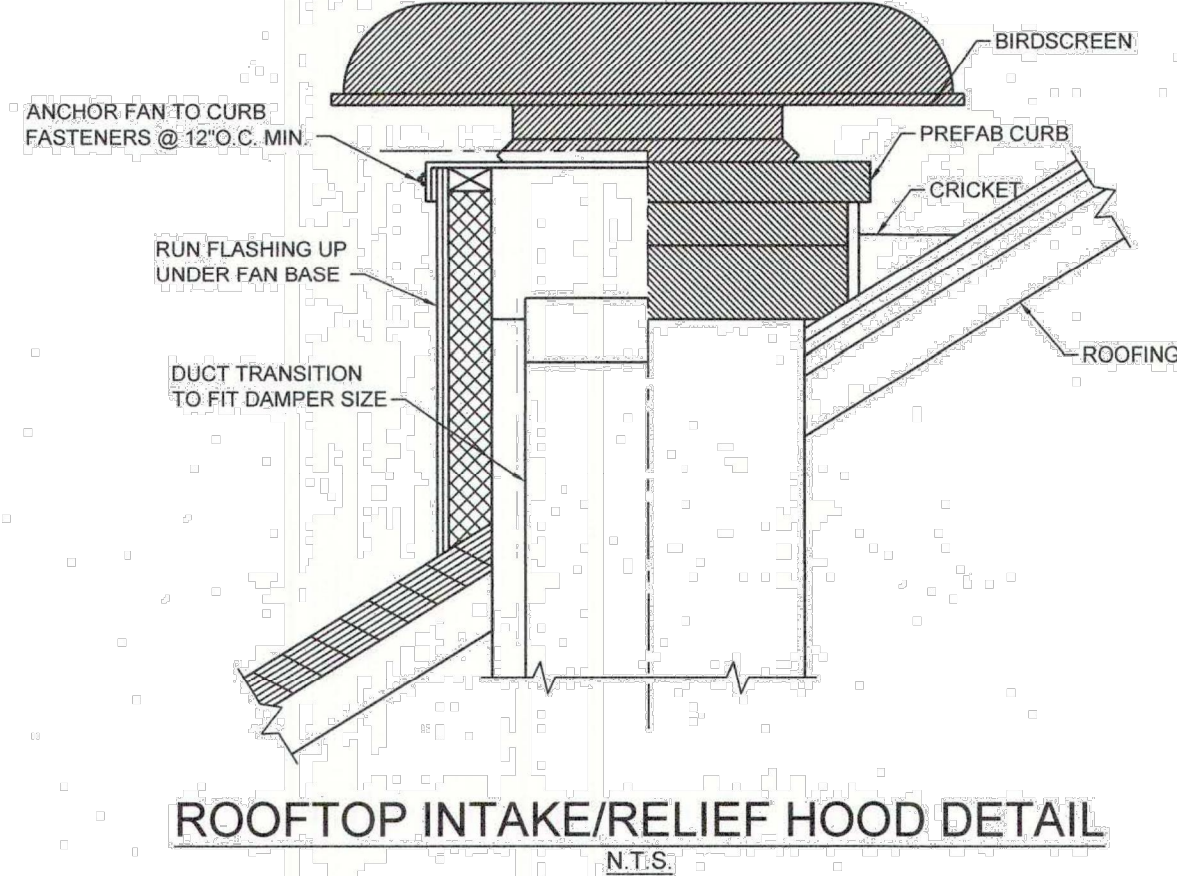
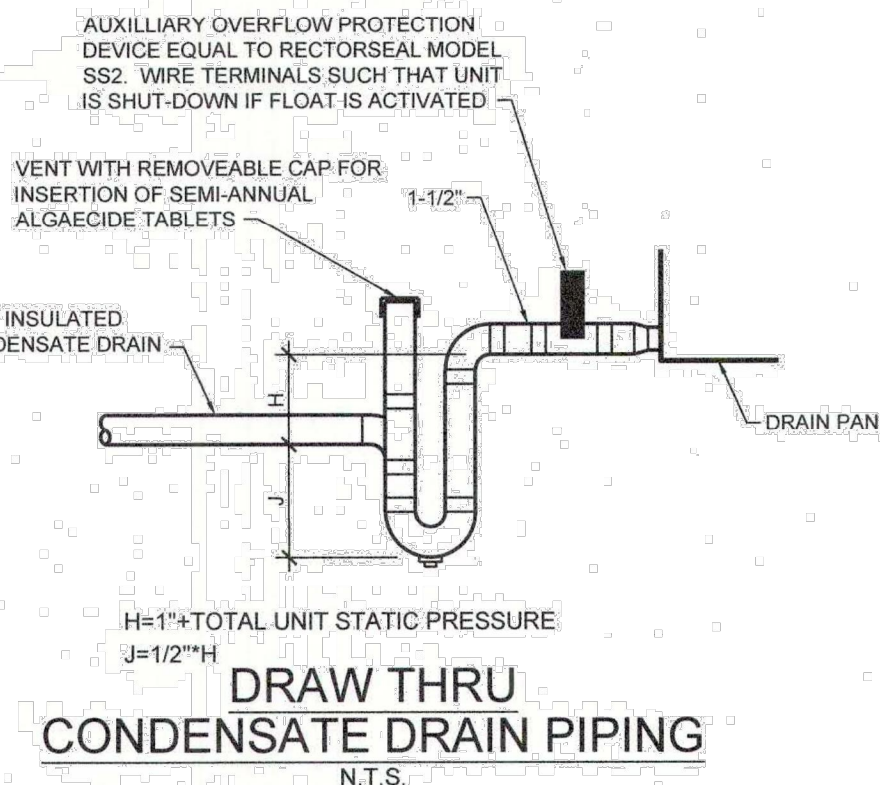
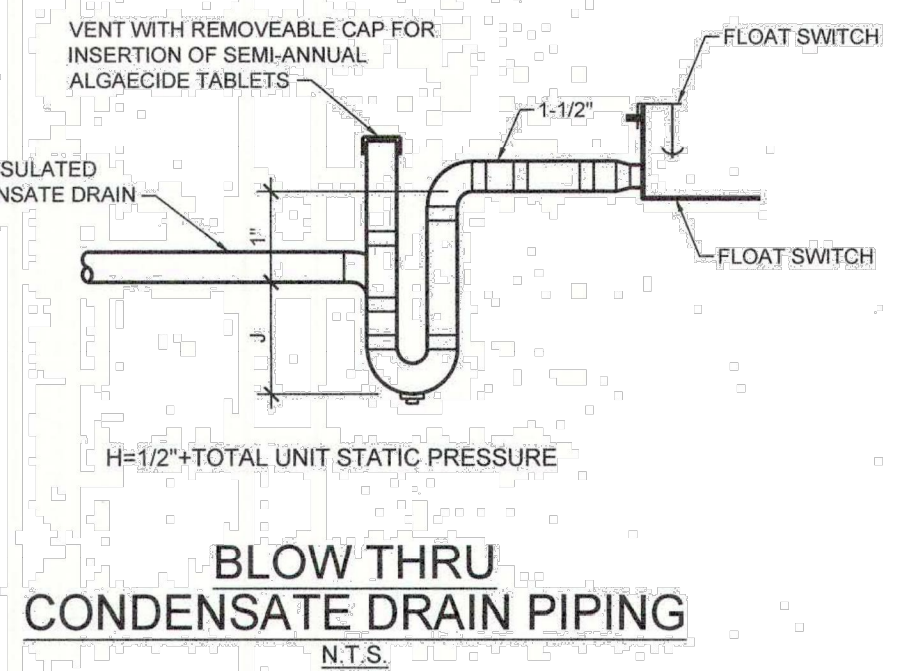
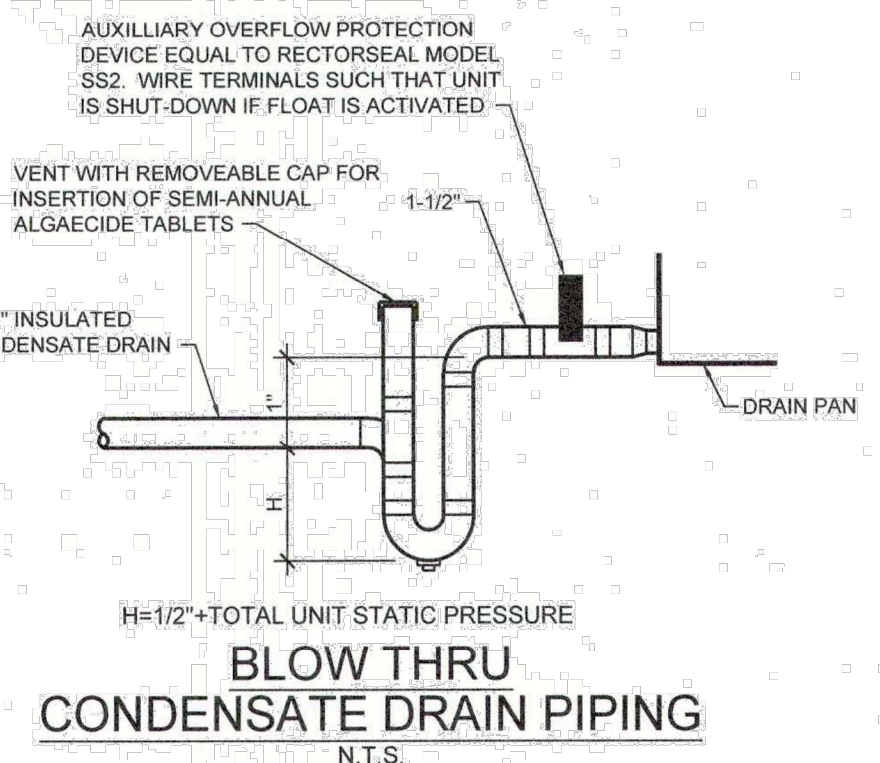


DATE: 06/05/2025 11:58 AM - PROJECT: 2513 - NEW MEDICAL OFFICE - MECHANICAL LEGEND AND DETAILS - SHEET: M4 - 41 OF 52



GENERAL HVAC NOTES:

- THESE DRAWINGS ARE SCHEMATIC IN NATURE AND ARE NOT INTENDED TO SHOW ALL POSSIBLE CONDITIONS. IT IS INTENDED THAT THE SPECIFIED HVAC SYSTEM BE PROVIDED COMPLETE WITH ALL NECESSARY EQUIPMENT, APPURTENANCES, AND CONTROLS AND COMPLETELY COORDINATED WITH ALL OTHER CRAFTS AND DISCIPLINES. ALL PARAMETERS GIVEN IN THESE DOCUMENTS SHALL BE IN STRICT CONFORMANCE. ANY ADDITIONAL MATERIALS AND/OR LABOR REQUIRED TO CONFORM WITH ALL APPLICABLE CODES, STANDARDS, AND THESE CONTRACT DOCUMENTS, SHALL BE FURNISHED COMPLETE AND WITHOUT ADDITIONAL COST TO THE CONTRACT.
- THE LOCATION OF ALL AIR DISTRIBUTION DEVICES TO BE COORDINATED WITH THE ARCHITECTURAL REFLECTED CEILING PLANS. COORDINATE LOCATION OF DUCTWORK IN ALL AREAS TO MATCH CEILING GRID/LIGHT FIXTURES WHILE MAXIMIZING CEILING HEIGHT SCHEDULED ON ARCHITECTURAL PLANS.
- COORDINATE LOCATION OF ALL OUTDOOR AIR INTAKES FOR HVAC SYSTEMS AND MAINTAIN MINIMUM 25'-0" DISTANCE TO FLUES, VENTS, EXHAUST/FANS, ETC.
- SIDEWALL AND DRYWALL CONSTRUCTION AIR DISTRIBUTION DEVICES MOUNTINGS IN SAME ROOM SHALL BE UNIFORM AND SYMMETRICAL AS APPROVED BY ARCHITECT.
- IT IS ESSENTIAL THAT ALL EXTERIOR WALL DEVICES (FANS, CAPS, BRICK VENTS, ETC.) BE INSTALLED SYMMETRICALLY AND PER ARCHITECT'S PLANS. VERIFY INSTALLATION REQUIREMENTS WITH ARCHITECT IN ALL CASES.
- DUCTWORK AND OTHER MECHANICAL OPENINGS THROUGH MASONRY WALLS SHALL BE REINFORCED/SUPPORTED AS DETAILED ON STRUCTURAL DRAWINGS. MECHANICAL CONTRACTOR SHALL COORDINATE WITH GENERAL CONTRACTOR THE LOCATIONS AND SIZES OF THESE PENETRATIONS MAKING ALLOWANCES FOR INSULATION, FIRE DAMPERS, PIPING SLEEVES, ETC.

LEGEND - HVAC

MARK	DESCRIPTION
	TYPICAL SUPPLY AIR DIFFUSER (SHADING/ARROWS INDICATES AIR FLOW THRU DIRECTION)
	TYPICAL EXHAUST OR RETURN AIR REGISTER
	TYPICAL RECTANGULAR TO ROUND DUCT TRANSITION
	TYPICAL DUCTWORK INCREASER / REDUCER
	TYPICAL ROUND DUCT BELLMOUTH TAKEOFF ADAPTER WITH VOLUME DAMPER
	TYPICAL ROUND DUCT BELLMOUTH TAKEOFF ADAPTER
	TYPICAL RECTANGULAR TO RECTANGULAR TAKEOFF ADAPTER WITH VOLUME DAMPER AND EXTRACTOR
	TYPICAL ADJUSTABLE LOCKING QUADRANT VOLUME DAMPER
	MOTORIZED DAMPER
	RECTANGULAR DUCT WITH SIZE LISTED. THE "X" DENOTES RECTANGULAR DUCT. (THE FIRST NUMBER INDICATES DUCT WIDTH PARALLEL TO VIEW WHILE THE SECOND NUMBER INDICATES DEPTH PERPENDICULAR TO VIEW). SEE PLANS AND SPECIFICATIONS FOR DUCT CONSTRUCTION REQUIREMENTS.
	ROUND DUCT WITH SIZE LISTED. THE "Ø" DENOTES ROUND DUCT. SEE PLANS AND SPECIFICATIONS FOR DUCT CONSTRUCTION REQUIREMENTS.
	AUTOMATIC COOLING/HEATING CHANGEOVER PROGRAMMABLE THERMOSTAT MOUNTED AT 48" A.F.F. BEHIND CLEAR "BERKO" LOCKING TAMPER RESISTANT COVER
	HIGH HUMIDITY SENSOR MOUNTED AT 84" A.F.F. BEHIND WHITE "KENALL" TAMPER PROOF COVER
	MANUFACTURER'S AUTOMATIC CHANGEOVER THERMOSTAT MOUNTED AT 48" A.F.F.
	MANUFACTURER'S WALL MOUNTED PASSIVE INFRARED MOTION SENSOR MOUNTED ADJACENT TO LIGHT SWITCH
	CEILING MOUNTED AIR PRESSURE SAMPLING PORT
	WALL MOUNTED MAGNEHELIC GAUGE
	TYPICAL AIR FOIL TURNING VANES
	AUTOMATIC FIRE DAMPER WITH DUCT ACCESS DOOR
	SUPPLY AIR
	RETURN AIR
	EXHAUST AIR
	SPLITTER DAMPER
	CEILING RADIATION DAMPER WITH THERMAL BLANKET
	LOCKING QUADRANT BALANCING DAMPER
	MOTORIZED DAMPER
	DUCT MOUNTED SMOKE DETECTOR
	BACKDRAFT DAMPER
	1 HOUR FIRE RATED PARTITION (VERIFY WITH ARCHITECTURAL DRAWINGS)

DAMMON ENGINEERING, INC.
 LOUISIANA & MISSISSIPPI
 Chief Engineer: Brian Misch, PE
 554 Old Spanish Trail
 Slidell, LA 70458
 www.dammonengineering.com
 info@dammonengineering.com
 PH: 985-649-5832

REVISIONS	DATE
#	DESCRIPTION

SEAL:

PROGRESS SET

NEW MEDICAL OFFICE
 DIANA OAK HARBOR REAL ESTATE
 LLC
 540 OAK HARBOR BLVD
 SLIDELL, LA 70458
 JOB No: 2513 DATE: 06-05-2025
 DRAWN BY: BAK CHECKED BY: CKD

SHEET TITLE:
MECHANICAL LEGEND AND DETAILS

DRAWING NUMBER:
M4

SHEET No: 41 of 52