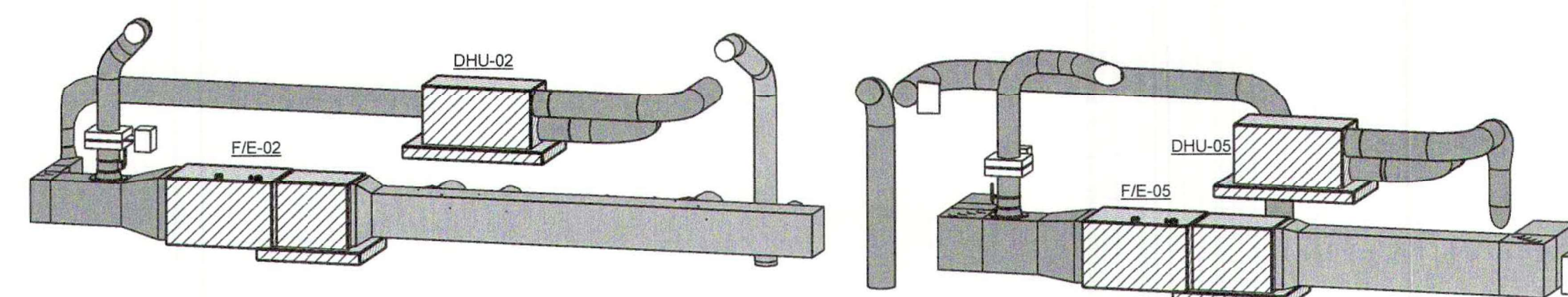
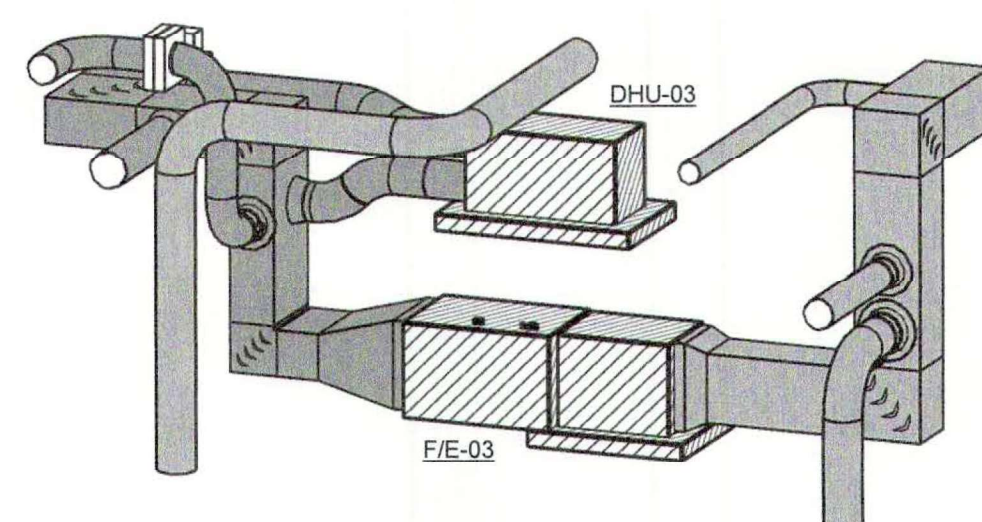


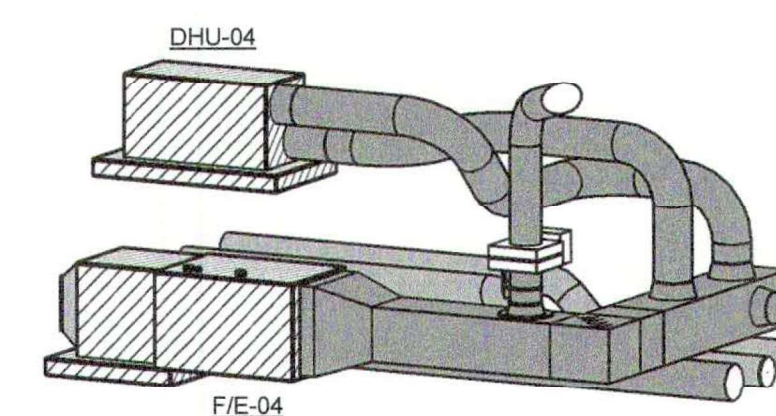
1
M2.0 **3D View at F/E-01**



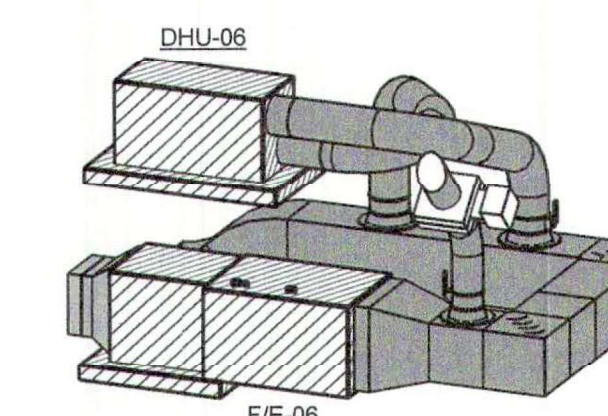
2
M2.0 **3D View at F/E-02-05**



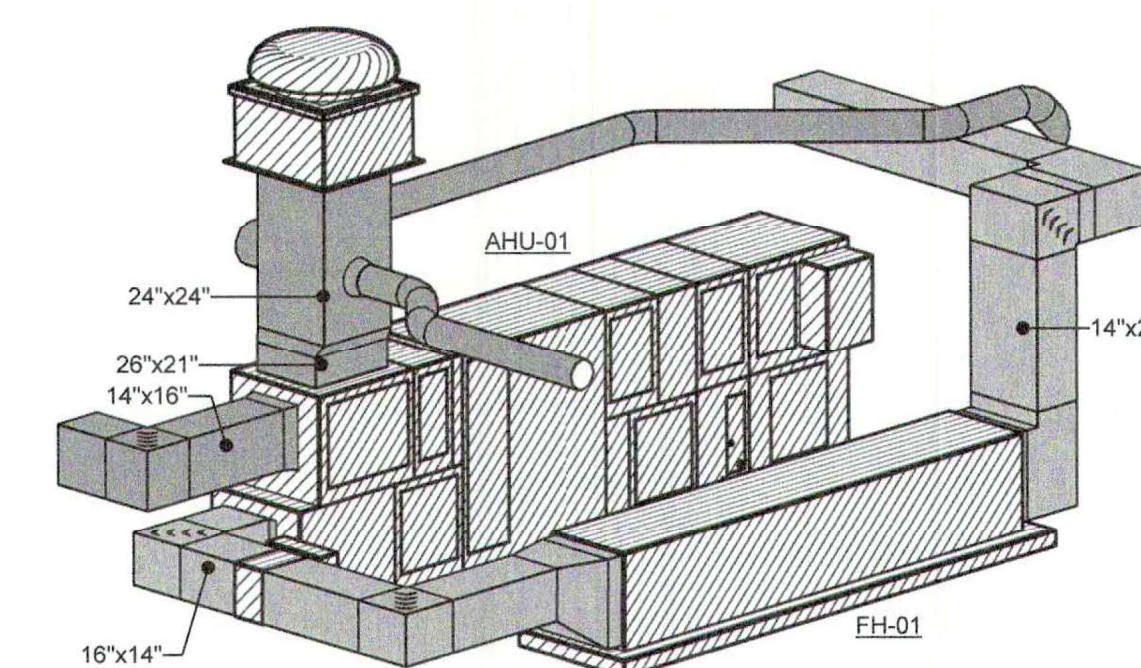
3
M2.0 **3D View at F/E-03**



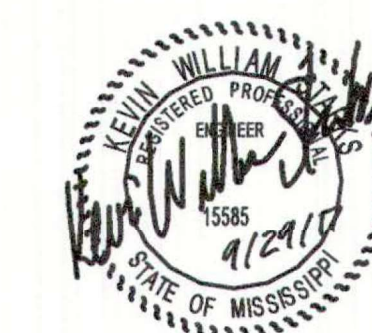
4
M2.0 **3D View at F/E-04**



5
M2.0 **3D View at F/E-06**



6
M2.0 **3D View at FH-01 and AHU-01**



SEPTEMBER 29, 2017
CONSTRUCTION DOCUMENTS
WBA #: 2217

REVISIONS		
NO.	DESCRIPTION	DATE