

FINISH SCHEDULE										
ROOM NUMBER	ROOM NAME	FLOOR FINISH	BASE MATL	WALL FINISH	CEILING	MILLWORK	COUNTERTOPS	CEILING HEIGHT	COMMENTS	
100	WAITING	LVT-1	WB-1	P-1, CTW-1, GTW-1	GYP-1	N/A	N/A	12' - 0"	NORTH WALL IN WAITING TO RECEIVE CTW-1, NORTH WALL WHERE DRINKING FOUNTAINS ARE LOCATED TO RECEIVE GTW-1	
100A	RECEPTION	LVT-1	WB-1	P-4, STW-1	GYP-1	MW-1, PL-2	QTZ-1, PL-1	10' - 6"	STW-1 TO BE LOCATED ON WEST WALL FULL HEIGHT	
101	WAITING RESTROOM	PTF-1	N/A	CTW-2 UP TO 72"H AFF, P-4	GYP-1	MW-1	SS-1	10' - 0"	CTW-2 LOCATED ON ALL WALLS, FULL-HEIGHT BEHIND MIRROR, P-4 TO BE LOCATED ABOVE CTW-2	
102	DR. PARRY'S OFFICE	LVT-1	MRB-1	P-1	ACT-1	PL-2	N/A	10' - 0"		
103	CONSULT	LVT-1	MRB-1	P-1	ACT-1	N/A	N/A	10' - 0"		
104	NURSING OFFICE	LVT-1	RB-1	P-1	ACT-1	N/A	N/A	10' - 0"		
105	CONSULT	LVT-1	MRB-1	P-1	ACT-1	N/A	N/A	10' - 0"		
106	CLEAN UTILITY	WRBF-1	FCB-1	P-1	ACT-1	SSM-1	PL-1	10' - 0"		
107	COLLECTION	LVT-1	RB-1	P-1	ACT-1	PL-2	SS-1	10' - 0"		
108	CONFERENCE/ BREAK	LVT-1	RB-1	P-1, CTW-4 BACKSPLASH	ACT-1	PL-2	SS-1	10' - 0"		
109	COLLECTION	LVT-1	RB-1	P-1	ACT-1	PL-2	SS-1	10' - 0"		
110	PHLEBOTOMY	LVT-1	RB-1	P-1	ACT-1	PL-2	PL-1	10' - 0"		
111	PRIMARY LAB	WRBF-1	FCB-1	P-5	GYP-3	N.I.C.	EPC-1	8' - 0"		
112	OFFICE	LVT-1	RB-1	P-1	ACT-1	N/A	N/A	10' - 0"		
113	OFFICE	LVT-1	RB-1	P-1	ACT-1	N/A	N/A	10' - 0"		
114	OFFICE	LVT-1	RB-1	P-1	ACT-1	N/A	N/A	10' - 0"		
115	LIQUID N2 STORAGE	SSF-1	SSB-1	SSW 72" AFF, P-1	ACT-1	N/A	N/A	10' - 0"		
116	ELECTRIC	SC-1	N/A	P-1	ACT-1	N/A	N/A	10' - 0"		
117	TANK EXCHANGE	SC-1	N/A	P-1	ACT-1	N/A	N/A	10' - 0"		
118	DIRTY UTILITY	WRBF-1	FCB-1	FRP-1 UP TO 48"H, P-1	ACT-1	PL-2	SSC-1	10' - 0"	P-1 LOCATED ABOVE FRP-1	
119	CLEAN LINEN	SC-1	N/A	P-1	GYP-1	N/A	N/A	10' - 0"		
120	DIRTY LINEN	SC-1	N/A	FRP-1 UP TO 48"H, P-1	GYP-1	N/A	N/A	10' - 0"		
121	TRASH	SC-1	N/A	FRP-1 UP TO 48"H, P-1	GYP-1	N/A	N/A	10' - 0"		
122	RISER ROOM	SC-1	N/A	P-1	GYP-1	N/A	N/A	10' - 0"		
123	CONSULT	LVT-1	MRB-1	P-1	ACT-1	N/A	N/A	10' - 0"		
124	OFFICE	LVT-1	MRB-1	P-1	ACT-1	N/A	N/A	10' - 0"		
125	FINANCIAL COUNSELING	LVT-1	MRB-1	P-1,4	ACT-1	N/A	N/A	10' - 0"	P-4 TO BE LOCATED ON SOUTH WALL	
126	STAFF RESTROOM	PTF-1,2	N/A	CTW-3 UP TO 72"H AFF, P-4, PTW-4	GYP-1 EPOXY	MW-1	SS-1	10' - 0"	SHOWER TO RECEIVE PTF-2, SHOWER WALLS TO BE CTW-4, CTW-2 LOCATED ON ALL WALLS, P-4 TO BE LOCATED ABOVE CTW-2	
127	VITALS	LVT-1	MRB-1	P-1	ACT-1	PL-2	PL-1	10' - 0"		
128	CORRIDOR	LVT-1	MRB-1	P-1	ACT-1	PL-2	PL-1	10' - 0"		
129	EXAM 1	LVT-1	RB-1	P-1,4	GYP-1	PL-2	PL-1	9' - 0"	P-4 TO BE LOCATED ON TV WALL	
130	PATIENT RESTROOM	PTF-1	N/A	CTW-3 UP TO 72"H AFF, P-4	GYP-1	MW-1	PL-1	9' - 0"	CTW-2 LOCATED ON ALL WALLS, P-4 TO BE LOCATED ABOVE CTW-2	
131	EXAM 2	LVT-1	RB-1	P-1,4	GYP-1	PL-2	PL-1	9' - 0"	P-4 TO BE LOCATED ON TV WALL	
132	STORAGE	VCT-1	RB-1	P-1	GYP-1	N/A	N/A	9' - 0"		
133	NURSING STATION	LVT-1	MRB-1	P-1	ACT-1	PL-2	PL-1	10' - 0"		
134	GAS TANKS	VCT-1	RB-1	P-1	ACT-1	N/A	N/A	10' - 0"		
135	ADVANCED LAB	WRBF-1	FCB-1	P-5	GYP-3	N/A	N/A	8' - 0"		
136	ADVANCED PROCEDURE ROOM	WRBF-1	FCB-1	P-5	GYP-3	N.I.C.	EPC-1	8' - 0"		
137	CORRIDOR	LVT-1	MRB-1	P-1	ACT-1	PL-2	PL-1	10' - 0"		
138	EXAM 3	LVT-1	RB-1	P-1,4	GYP-1	PL-2	PL-1	9' - 0"	P-4 TO BE LOCATED ON TV WALL	
139	EXAM 4	LVT-1	RB-1	P-1,4	GYP-1	PL-2	PL-1	9' - 0"	P-4 TO BE LOCATED ON TV WALL	
140	PATIENT RESTROOM	PTF-1	N/A	CTW-3 UP TO 72"H AFF, P-4	GYP-1	MW-1	SS-1	9' - 0"	CTW-2 LOCATED ON ALL WALLS, P-4 TO BE LOCATED ABOVE CTW-2	
141	EXAM 5	LVT-1	RB-1	P-1,4	GYP-1	PL-2	PL-1	9' - 0"	P-4 TO BE LOCATED ON TV WALL	
200	DATA	PLY-1	N/A	P-1	ACT-1	N/A	N/A	8' - 0"		
201	MECHANICAL MEZZANINE	PLY-1	N/A	P-1	EXP	N/A	N/A	0'		

Grand total: 45

NOTE: CONTRACTOR AND SUBCONTRACTOR TO REFERENCE MANUFACTURER'S SPECIFICATIONS FOR RECOMMENDED INSTALLATION METHODS.

FLOOR		
ACRONYM	TYPE	DESCRIPTION
LVT-1	Luxury Vinyl Floor	Interface Product: Natural Woodgrains #A02Z Color: Black Walnut Size: 9.845' x 39.38' x 4.57mm thick Backing: Commercial Grade Installation Method: Ashlar Note: Floating Floor w/ TacTiles Glue-Free Installation System
PLY-1	Unfinished Plywood	
PTF-1	Porcelain Tile Floor	Atlas Concorde Product: Sign Color: Greige Size: 12" x 24" Thickness: 5mm Finish: Matt Installation Method: 1/3" running bond running east to west Grout: Latitec Marble Beige #17 Note: Hold all grout joints to minimum requirement by TCNA
PTF-2	Porcelain Tile Floor	Daltile Product: Keystone Color: Uptown Taupe Speckle #D022 Size: 2' x 2' mosaic on 12"x24" sheet Thickness: 1/4" Finish: Unglazed Installation Method: straight laid running east to west Grout: Latitec Dusty Grey #60 Note: Hold all grout joints to minimum requirement by TCNA
SC-1	Sealed Concrete	
SSF-1	Stainless Steel Floor	
WRBF-1	Welded Rubber Floor	Nora Product: Noraplan Senica Color: Frost Blue #6524 Size: 48" x 36" rolled goods Thickness: 3mm Note: Coordinating cold weld rod needed To be installed with coordinating flash cover (FCB-1)
VCT-1	Vinyl Composition Tile	Armstrong Product: Stratone BBT Color: Steel Size: 12" x 24" Thickness: 1/8" Installation Method: Running Bond Run parallel to length of room
BASE		
ACRONYM	TYPE	DESCRIPTION
FCB-1	Flash Cove Base	Nora Product: Noraplan Senica Color: Frost Blue #6524 Size: 4" x 36" rolled goods
MRB-1	Milwork Rubber Base	Johnsonite Product: Infection #MW-48-G Color: Grey WG Size: 5 1/4" x 8" continuous roll Thickness: 3/8"
RB-1	Rubber Base	Johnsonite Product: Traditional Wall Base #48 Color: Grey WG 4" x 120" continuous roll
SSE	Stainless Steel Base	Stainless steel flash cove base
WB-1	Wood Base	5 1/4" H poplar wood base/painted Profile to match Johnsonite Infection #MW-01-G Color: Painted P-2

FINISH LEGEND		
ACRONYM	TYPE	DESCRIPTION
CTW-1	Ceramic Tile Wall	Atlas Concorde Product: 3D Wave Color: White Finish: Glossy Size: 15 3/4" x 31 1/2" Thickness: 10mm Grout: Latitec Bright White #44 Installation Method: Vertical Stack Bond, tile to run vertical Hold all grout joints to minimum requirement by TCNA
CTW-2	Ceramic Tile Wall	Daltile Product: Showscape #SH09 Color: Stylish White Finish: Arabesque Size: 12" x 24" Thickness: 3/8" Grout: Latitec Bright White #44 Installation Method: Vertical Stack Bond, tile to run vertical Trim: 1/2" Jolly Trim #S-1212J Note: Tile to be installed 7/21 Schuler QUADEK in finish AE to be used at all outside corners Hold all grout joints to minimum requirement by TCNA
CTW-3	Ceramic Tile Wall	Daltile Product: Showscape #SH09 Color: Stylish White Finish: Reverse Dot Size: 12" x 24" Thickness: 3/8" Grout: Latitec Light Pewter #90 Installation Method: Vertical Stack Bond, tile to run vertical Trim: 1/2" Jolly Trim #S-1212J Note: Tile to be installed 7/21 Schuler QUADEK in finish AE to be used at all outside corners Hold all grout joints to minimum requirement by TCNA
CTW-4	Ceramic Tile Wall	Daltile Product: Renaissance Square Color: Arctic White #0190 Finish: Semi-Gloss Size: 3' x 6' Thickness: 5/16" Grout: Room #108 Latitec Dusty Grey #60 Room #126 Latitec Light Pewter #90 Installation Method: Subway, tile to run horizontal Note: Use Schuler RONDEC-DB in finish AE where tile does not die into wall. Hold all grout joints to minimum requirement by TCNA
FRP-1	Fiber-Reinforced Panels	Crane Composites Product: Sequencia Color: Grey #0048 Finish: Ribbed Embossed Finish #FTSTJ Size: 4' x 8' Thickness: 0.09"
GTW-1	Glass Tile Wall	American Clean Product: Color Appeal Glass + Natural Stone 3 x Random Mosaic Color: Mountain Morning Blend #C140 Size: 12" x 12" mesh sheet Grout: Latitec Sterling Silver #78 Installation Method: Tile to run horizontal
P-1	Paint	Sherwin Williams Color: Poplar Gray #SW6071 Finish: Semi-gloss Note: To be low VOC
P-2	Paint	Benjamin Moore Color: Simply White #OC-117 Finish: Semi-gloss Note: To be low VOC
P-3	Paint	Benjamin Moore Color: Chelsea Gray #HC-168 Finish: Semi-gloss Note: To be low VOC
P-4	Paint	Benjamin Moore Color: Quiet Moments #1563 Finish: Semi-gloss Note: To be low VOC

WALL CONT		
ACRONYM	TYPE	DESCRIPTION
P-5	Paint	Benjamin Moore Color: Harmony Poplar Gray #SW6071 Finish: Semi-gloss Note: To be low VOC
SSW-1	Stainless Steel Wall	
STW-1	Stone Tile Wall	Realstone Systems Product: Shadowstone Panel Color: Arctic White Size: 9" x 24" Thickness: 4-1/2" gauge Finish: Split Face
CEILING		
ACRONYM	TYPE	DESCRIPTION
ACT-1	Acoustic Ceiling Tile	Armstrong Product: Dune #177SHRC Color: White (wh) Size: 24" x 24" Edge: 9/16" Beveled Tegular Suspension System: 9/16" Suprafine
EXP	Exposed Ceiling	
GYP-1	Gypsum	Painted Benjamin Moore Color: Simply White cc-117 Finish: Flat
GYP-2	Gypsum	Painted Benjamin Moore Color: Quiet Moments #1563 Finish: Flat
GYP-3	Gypsum	Painted Benjamin Moore Color: Harmony Simply White cc-117 Finish: Flat
GYP-4	Gypsum	Painted Benjamin Moore Color: Harmony Simply White cc-117 Finish: Epoxy
COUNTERTOP		
ACRONYM	TYPE	DESCRIPTION
EPW-1	Epoxy Resin Worksurface	Durcon Product: Classic Countertop Color: Tan Finish: Standard Edge: Bevel Thickness:
PL-1	Plastic Laminate	Wilsonart Product: Crisp Linen #4942 Finish: Fine Velvet 38 Edge: Square Thickness: 2"
QTZ-1	Quartz	Cambrila Collection: Marble Collection Product: Britannica Finish: Glossy Edge: Rimmock Edge (Mitered) Thickness: 3cm
SS-1	Solid Surface	Living Stone Color: Avalancha #L721 Finish: Standard Edge: Square Thickness: 3cm
SSC-1	Stainless Steel Countertop	
CABINETRY		
ACRONYM	TYPE	DESCRIPTION
PL-2	Plastic Laminate	Formica Product: Citadel #1097 Finish: Matte
MW-1	Milwork	Custom paint grade poplar w/ raised panels Note: To be painted P-3 Reference elevations and details for design
SSM-1	Stainless Steel Millwork	

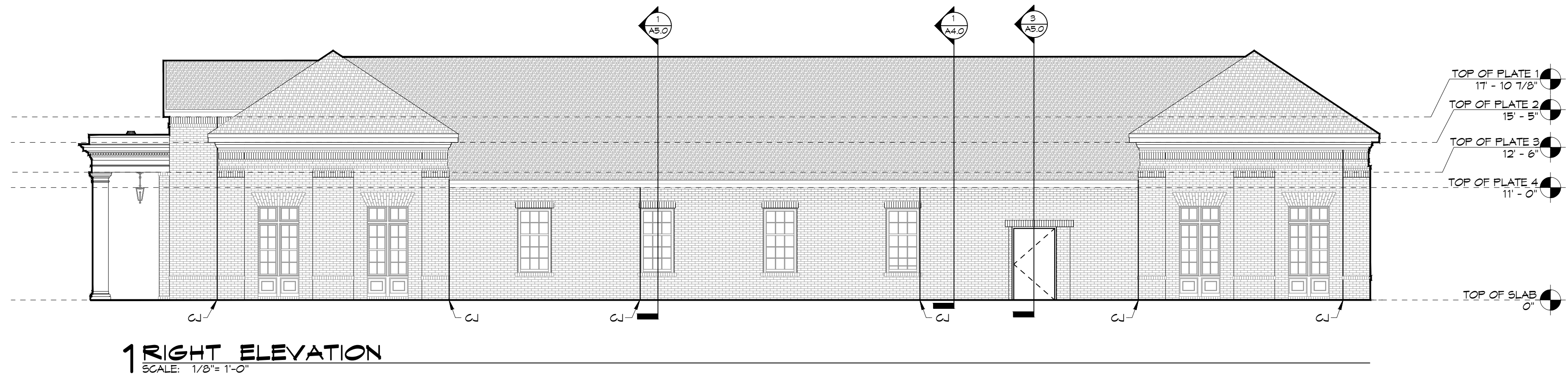
DAMMON ENGINEERING, INC.
LOUISIANA & MISSISSIPPI
www.dammonengineering.com
info@dammonengineering.com
PH: 985.649.8832
Chief Engineer: Brian March, PE
554 Old Spanish Trail
Slidell, LA 70458

REVISIONS	DATE
#	DESCRIPTION

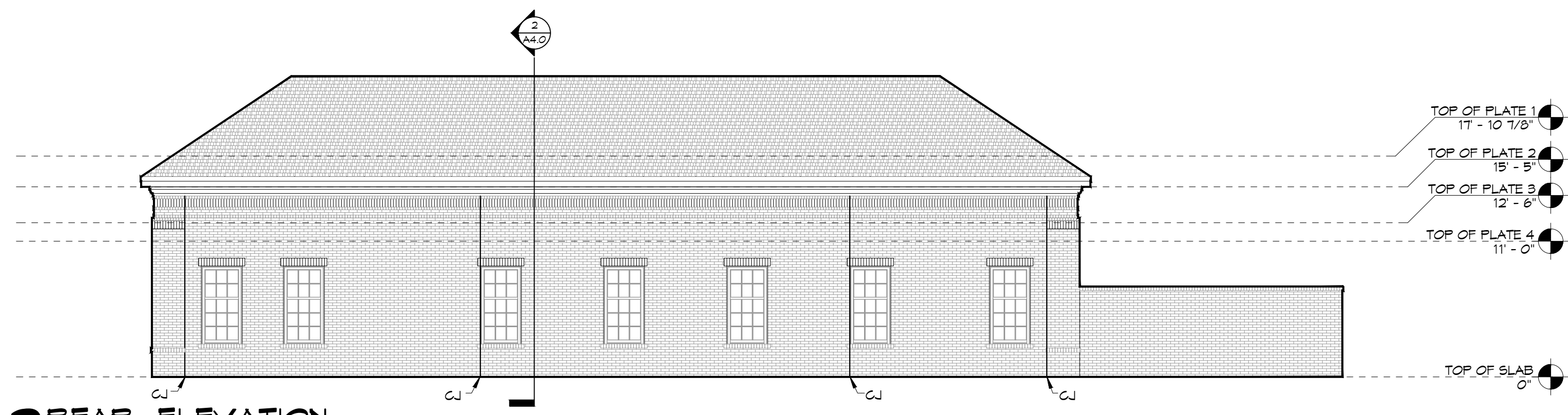


NEW MEDICAL OFFICE
DIANA OAK HARBOR REAL ESTATE LLC
340 OAK HARBOR BLVD
SLIDELL, LA 70458
JOB No: 2513 DATE: 05-16-2025
DRAWN BY: CKD CHECKED BY: JMS
SHEET TITLE: FINISH SCHEDULE AND FINISH LEGEND
DRAWING NUMBER: **A2.0**
SHEET No: 14 of 52

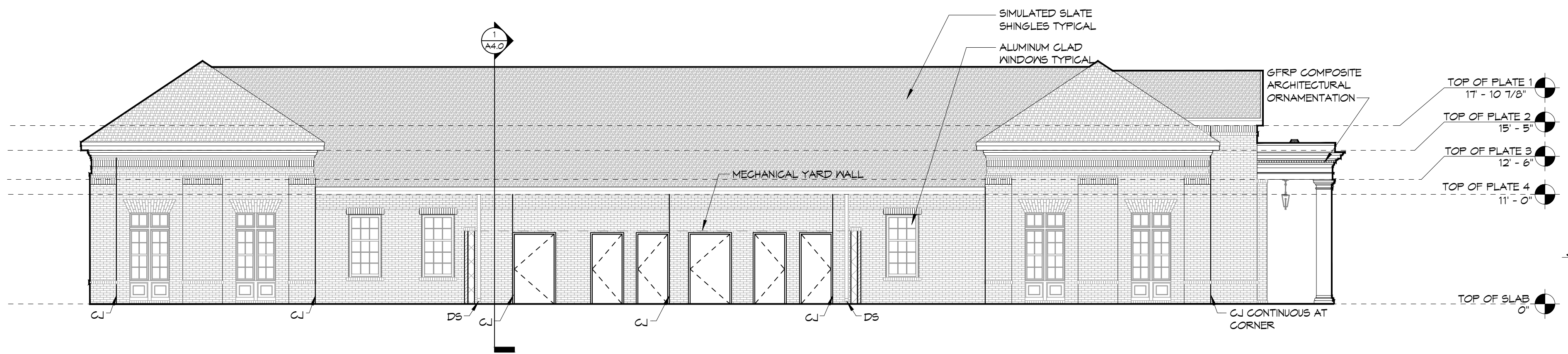
P.L. 2008, s.17, requires that all architectural drawings be prepared by a professional engineer or architect. The seal of the professional engineer or architect is required on all drawings.



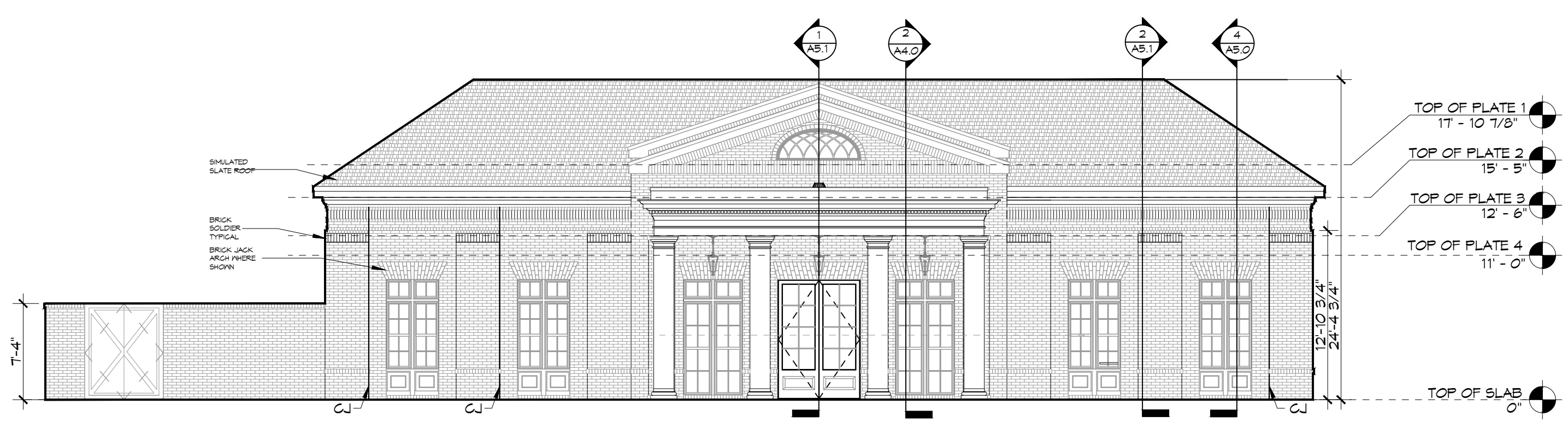
1 RIGHT ELEVATION
SCALE: 1/8" = 1'-0"



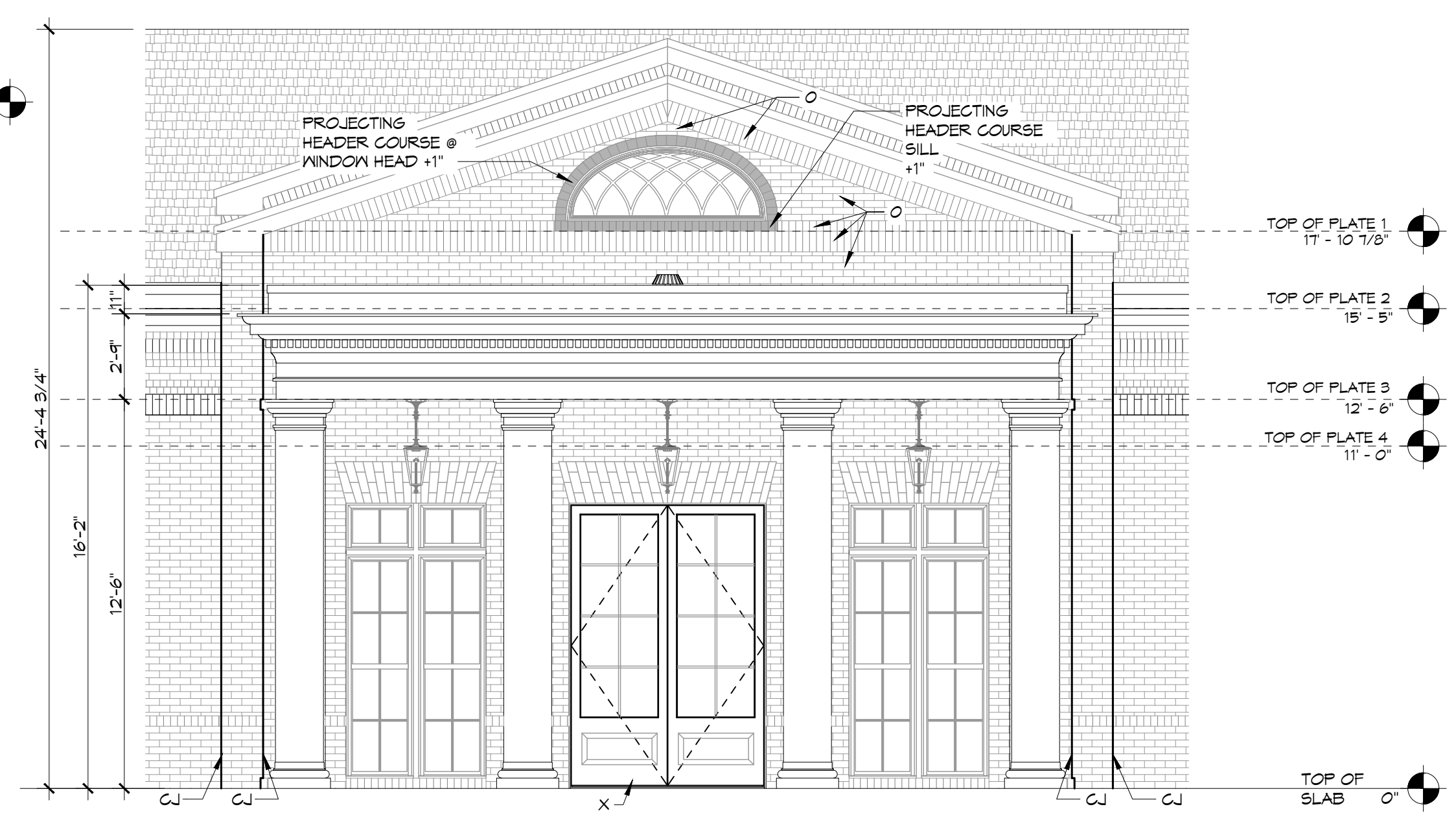
2 REAR ELEVATION
SCALE: 1/8" = 1'-0"



3 LEFT ELEVATION
SCALE: 1/8" = 1'-0"



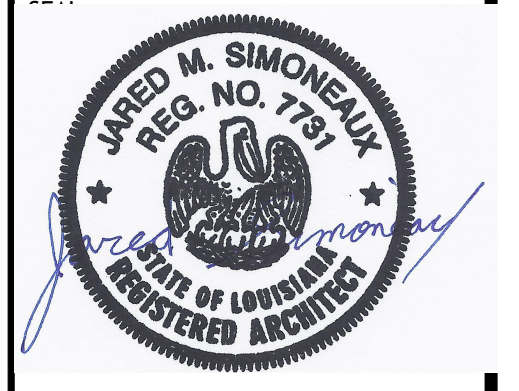
4 FRONT ELEVATION
SCALE: 1/8" = 1'-0"



5 ENLARGED FRONT ELEVATION
SCALE: 3/8" = 1'-0"

DAMMON ENGINEERING, INC.
 LOUISIANA & MISSISSIPPI
 Chief Engineer: Brian Misch, PE
 554 Old Spanish Trail
 Slidell, LA 70458
 www.dammonengineering.com
 info@dammonengineering.com
 PH: 985.649.8832

#	DESCRIPTION	DATE



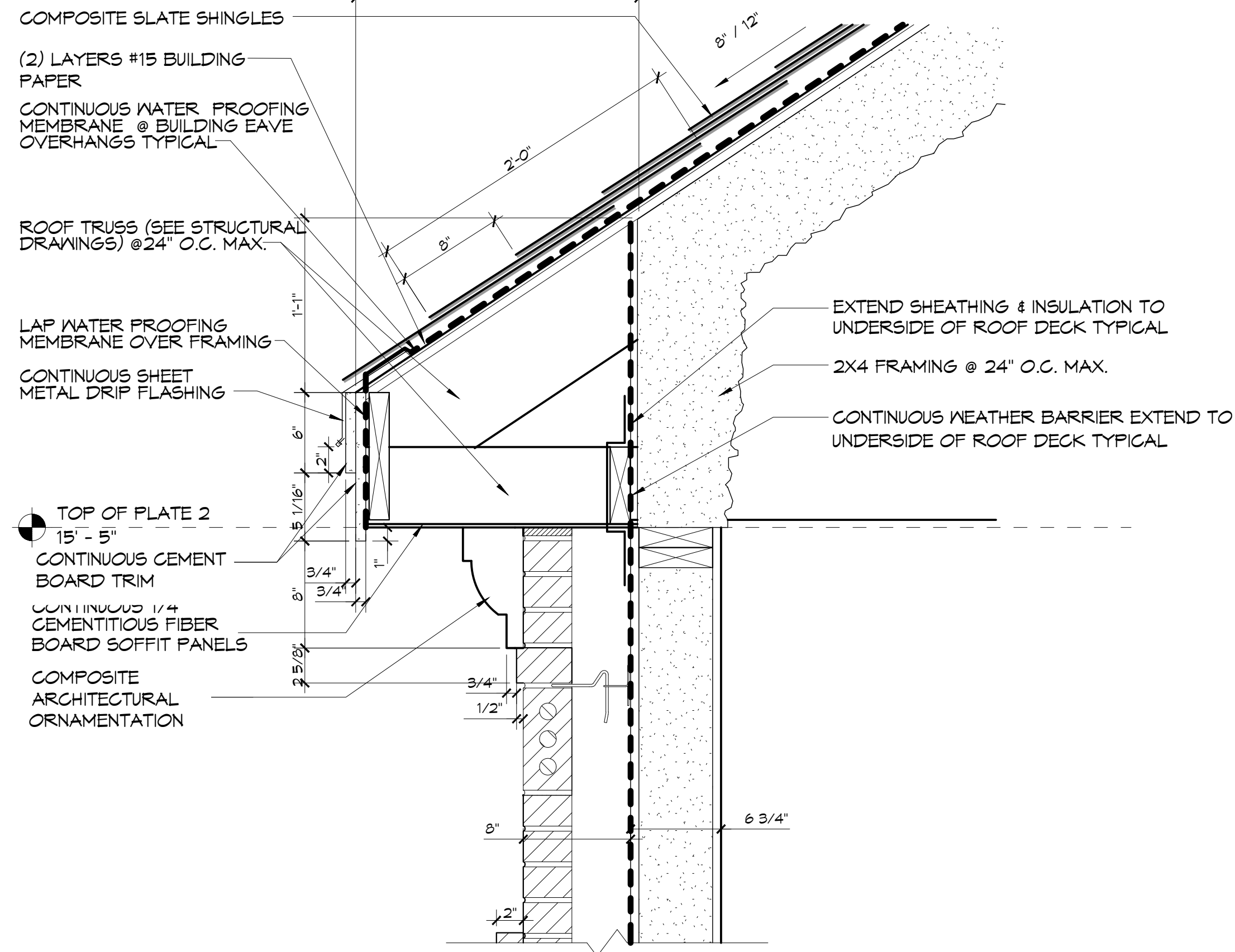
NEW MEDICAL OFFICE
DIANA OAK HARBOR REAL ESTATE LLC
 540 OAK HARBOR BLVD
 SLIDELL, LA 70458
 JOB No: 2513 DATE: 05-16-2025
 DRAWN BY: KCD CHECKED BY: JMS

SHEET TITLE:
EXTERIOR ELEVATIONS

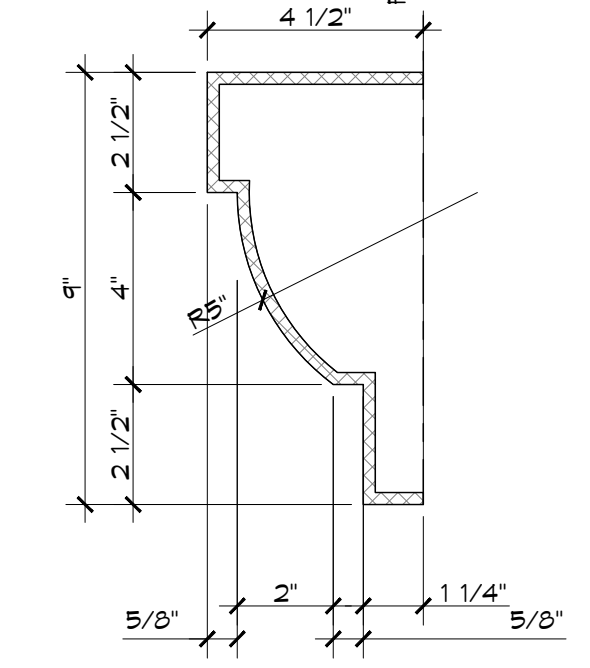
DRAWING NUMBER:

A3.0

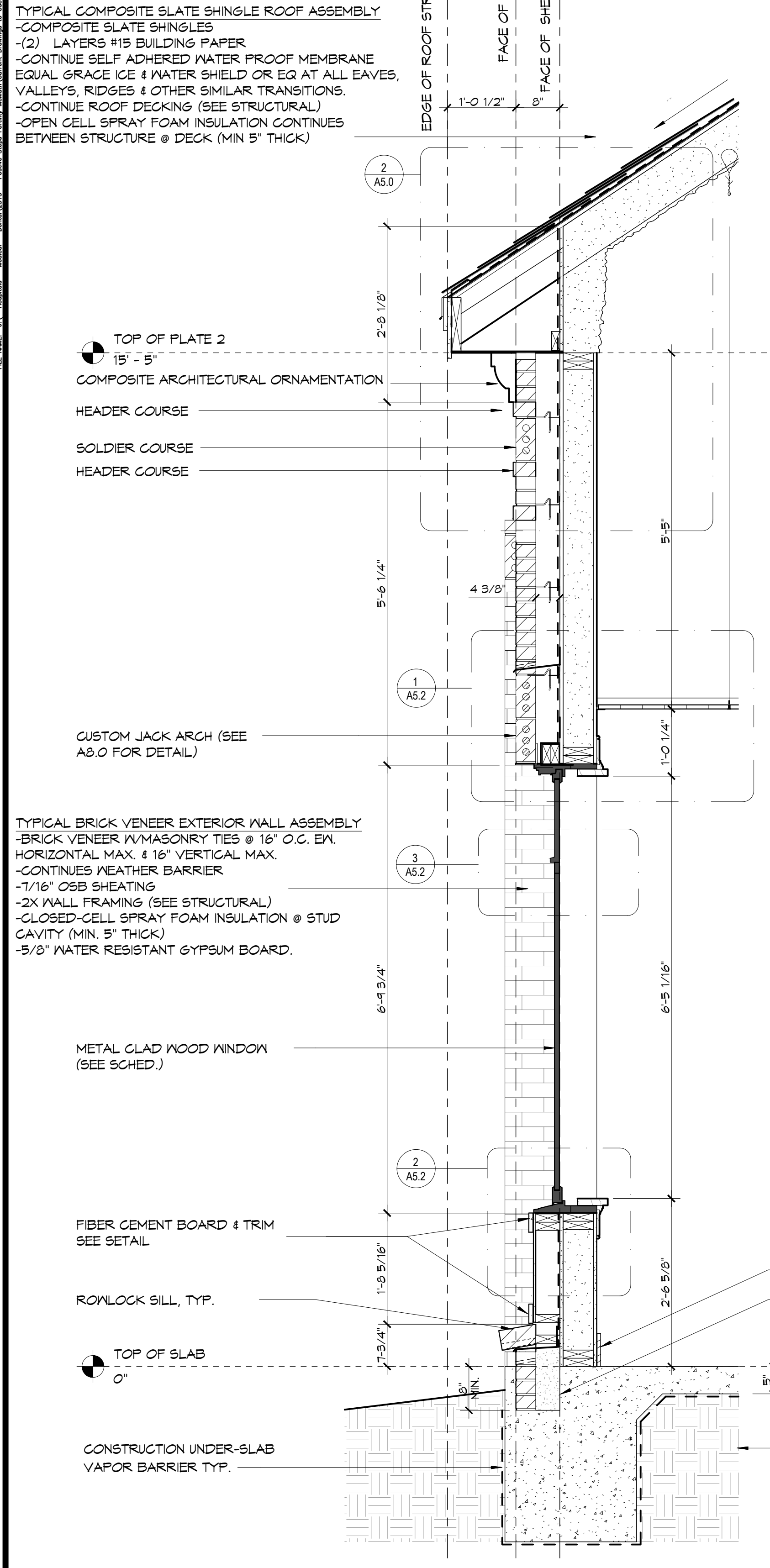
TYPICAL COMPOSITE SLATE SHINGLE ROOF ASSEMBLY
 -COMPOSITE SLATE SHINGLES
 -(2) LAYERS #15 BUILDING PAPER
 -CONTINUE SELF ADHERED WATER PROOF MEMBRANE EQUAL GRADE ICE & WATER SHIELD OR EQ AT ALL EAVES, VALLEYS, RIDGES & OTHER SIMILAR TRANSITIONS.
 -CONTINUE ROOF DECKING (SEE STRUCTURAL)
 -OPEN CELL SPRAY FOAM INSULATION CONTINUES BETWEEN STRUCTURE @ DECK (MIN 5" THICK)



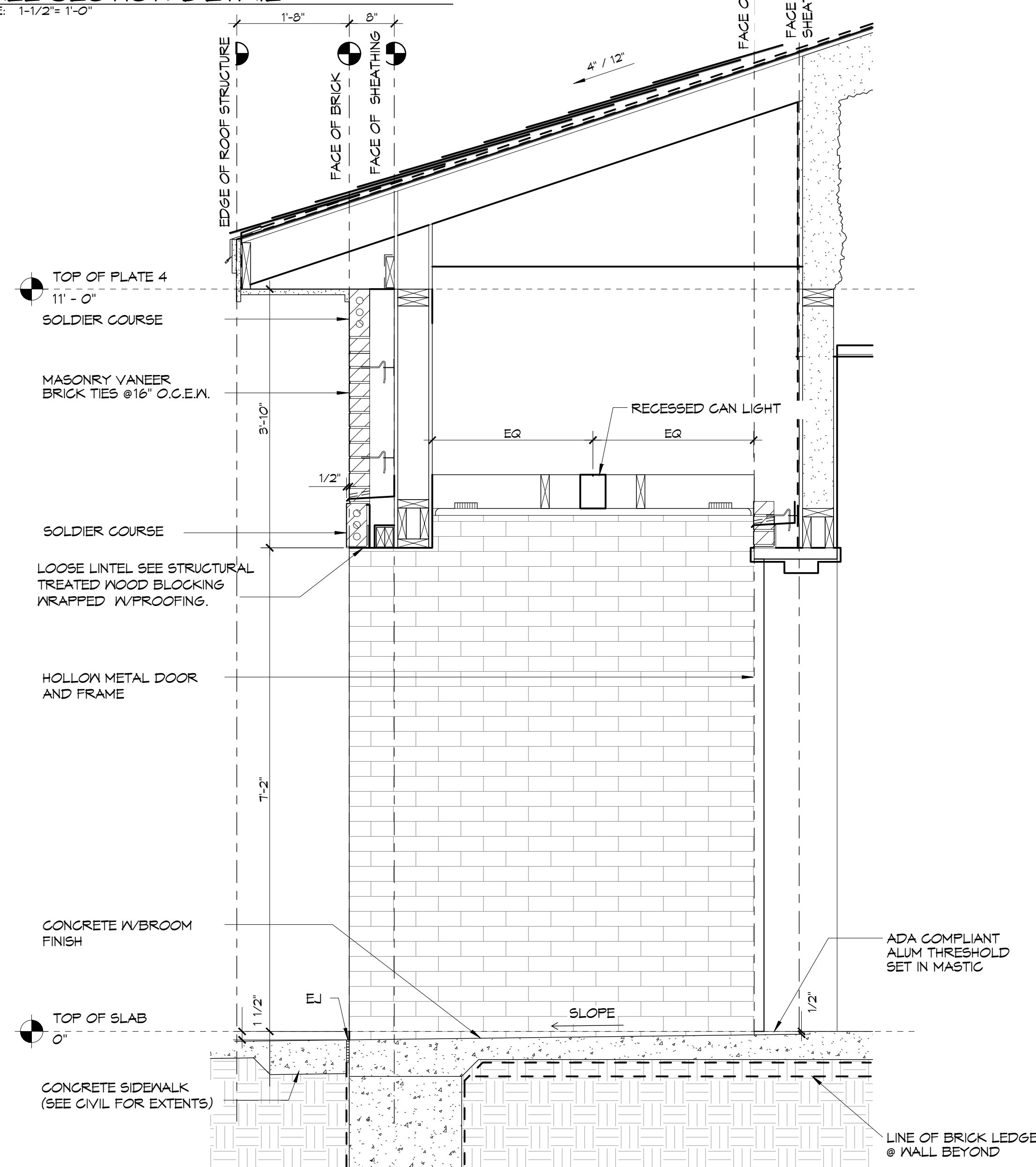
2 WALL SECTION DETAIL
 SCALE: 1-1/2" = 1'-0"



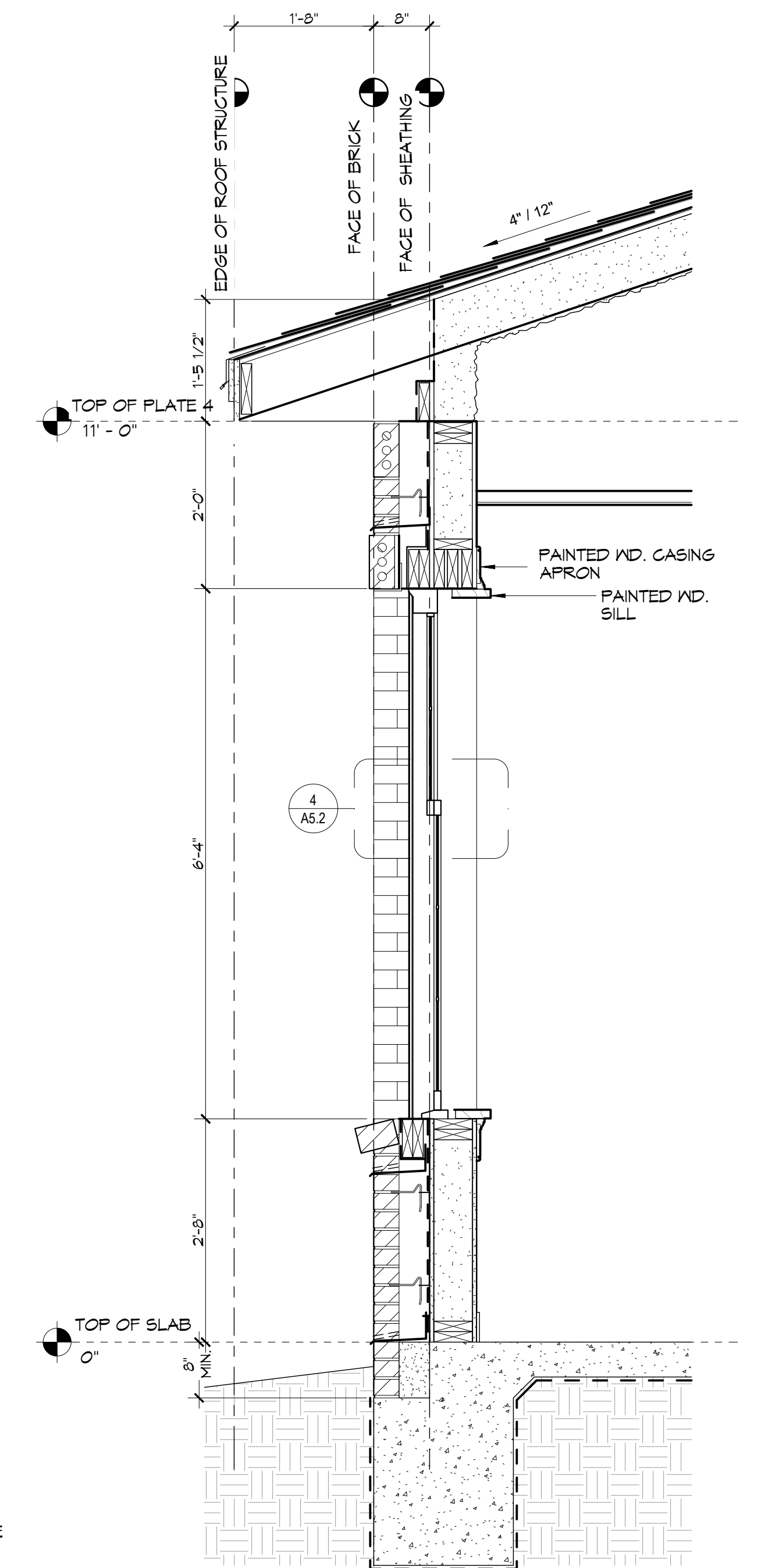
5 CORNICE PROFILE DETAIL
 SCALE: 3" = 1'-0"



4 WALL SECTION
 SCALE: 3/4" = 1'-0"



3 WALL SECTION
 SCALE: 3/4" = 1'-0"



1 WALL SECTION
 SCALE: 3/4" = 1'-0"

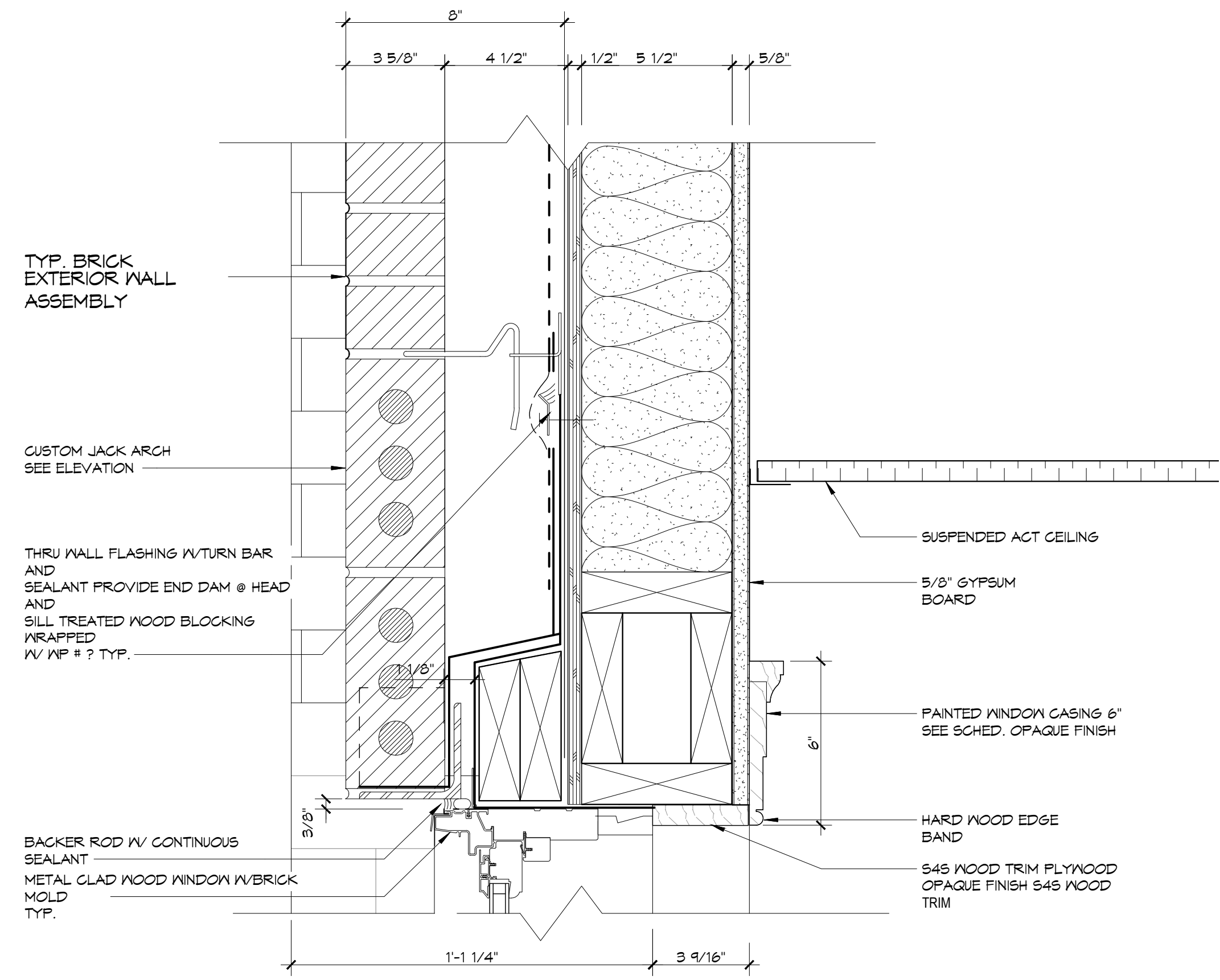
TYPICAL BRICK VENEER EXTERIOR WALL ASSEMBLY
 -BRICK VENEER W/MASONRY TIES @ 16" O.C. E/W.
 -HORIZONTAL MAX. & 16" VERTICAL MAX.
 -CONTINUES WEATHER BARRIER
 -1/16" OSB SHEATHING
 -2X WALL FRAMING (SEE STRUCTURAL)
 -CLOSED-CELL SPRAY FOAM INSULATION @ STUD CAVITY (MIN. 5" THICK)
 -5/8" WATER RESISTANT GYPSUM BOARD.

#	DESCRIPTION	DATE

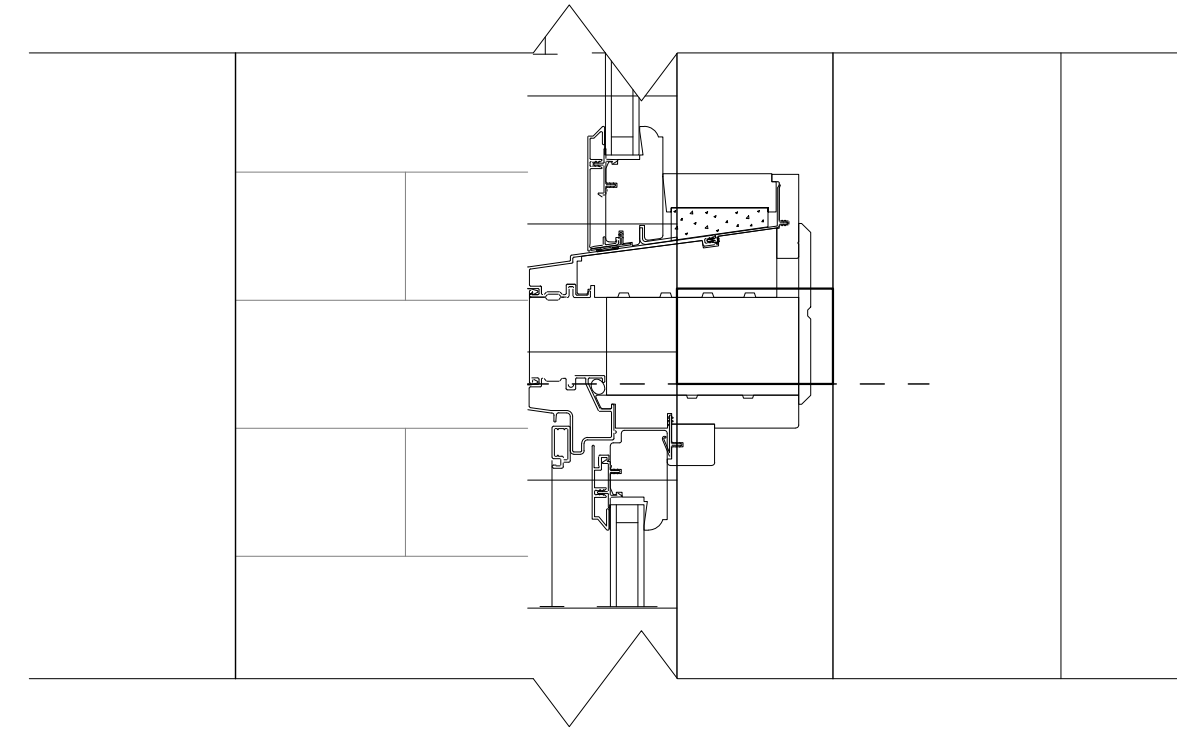


NEW MEDICAL OFFICE
DIANA OAK HARBOR REAL ESTATE LLC
 540 OAK HARBOR BLVD
 SLIDELL, LA 70458
 JOB No: 2513 DATE: 05-16-2025
 DRAWN BY: CKD CHECKED BY: JMS

FILE NAME: J:\Projects\2025\25001 - New Medical Office - Diana Oak Harbor Real Estate - 25001 - 25001.dwg, Date: 05-16-2025, Time: 10:00 AM, User: brian.mitchell

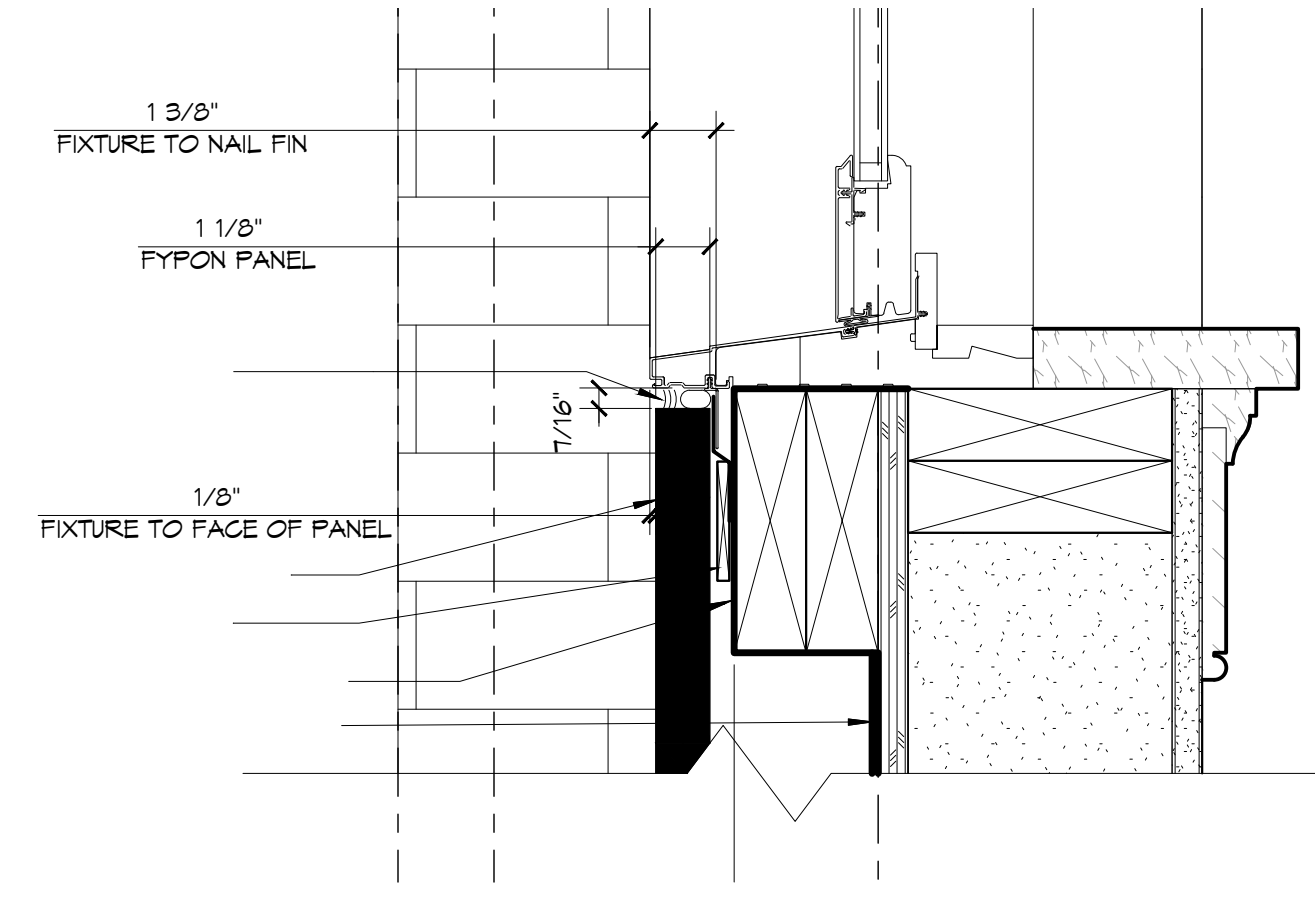


1 WALL SECTION - HEAD DETAIL
SCALE: 3/8" = 1'-0"

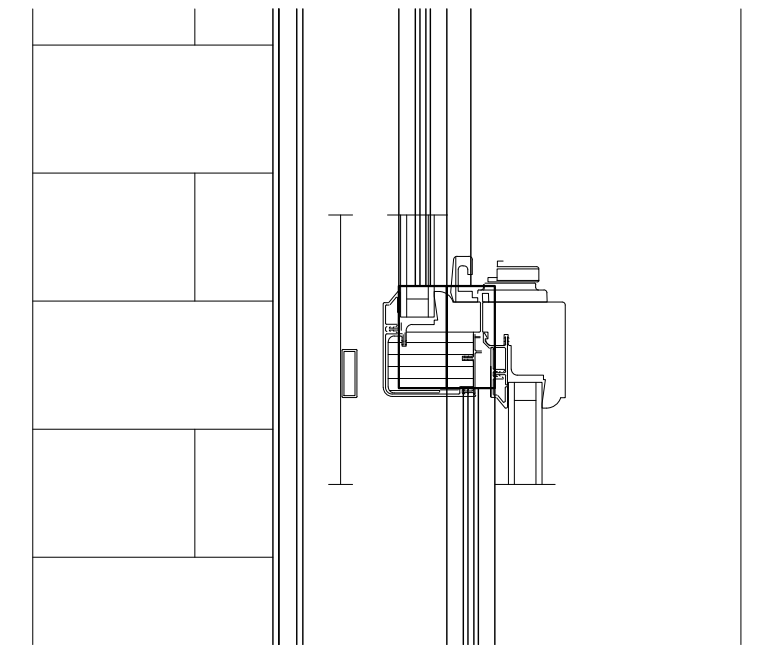


2 SILL DETAIL
SCALE: 3/8" = 1'-0"

3 WALL SECTION - TRANSOM JAMB DETAIL
SCALE: 3/8" = 1'-0"

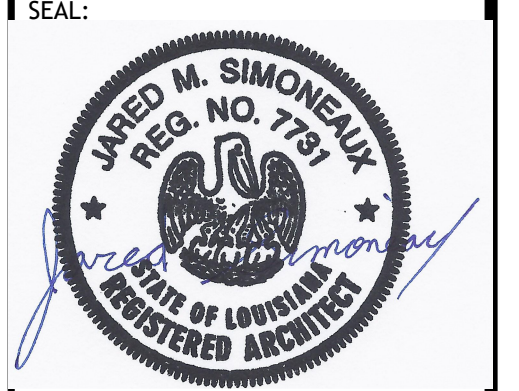


4 SECTION 4 - CALLOUT 1
SCALE: 3/8" = 1'-0"



DAMMON ENGINEERING, INC.
 LOUISIANA & MISSISSIPPI
 Chief Engineer: Brian Mitchell, PE
 554 Old Spanish Trail
 Slidell, LA 70458
 www.dammonengineering.com
 info@dammonengineering.com
 PH: 985.649.8832

#	DESCRIPTION	DATE

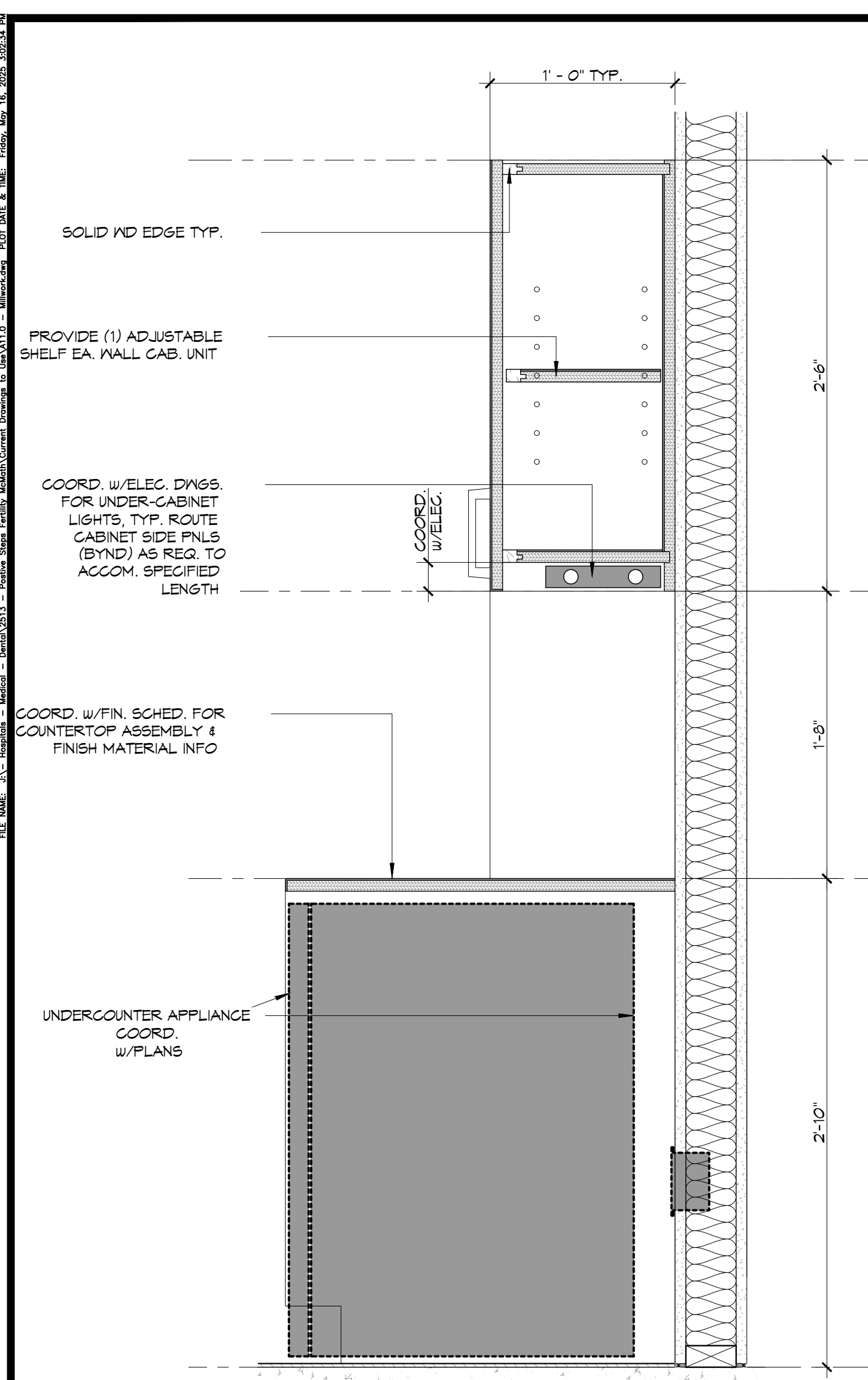


NEW MEDICAL OFFICE
 DIANA OAK HARBOR REAL ESTATE
 LLC
 340 OAK HARBOR BLVD
 SLIDELL, LA 70458
 JOB No: 2513 | DATE: 05-16-2025
 DRAWN BY: CKD | CHECKED BY: JMS

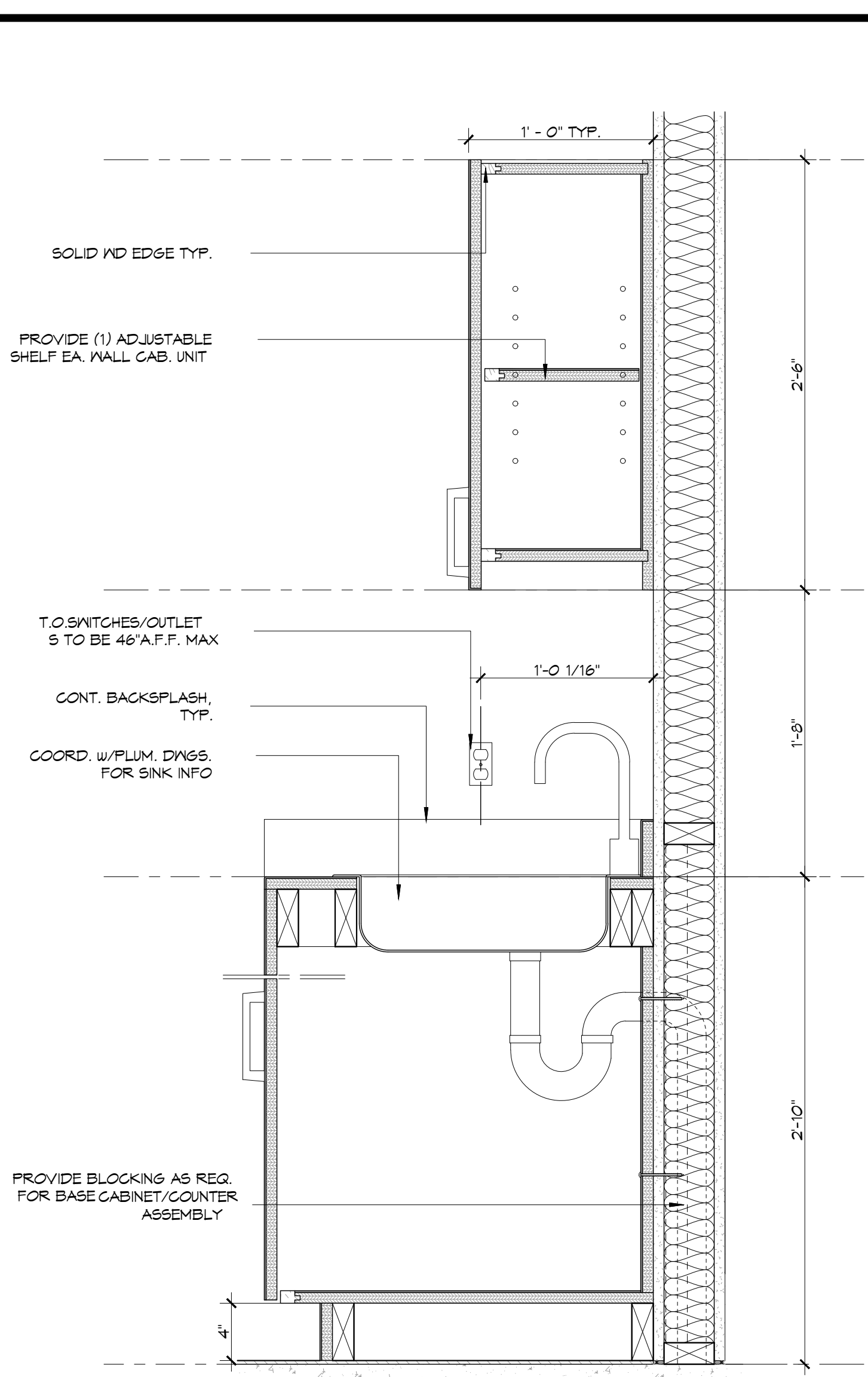
SHEET TITLE:
WALL SECTION DETAILS

DRAWING NUMBER:

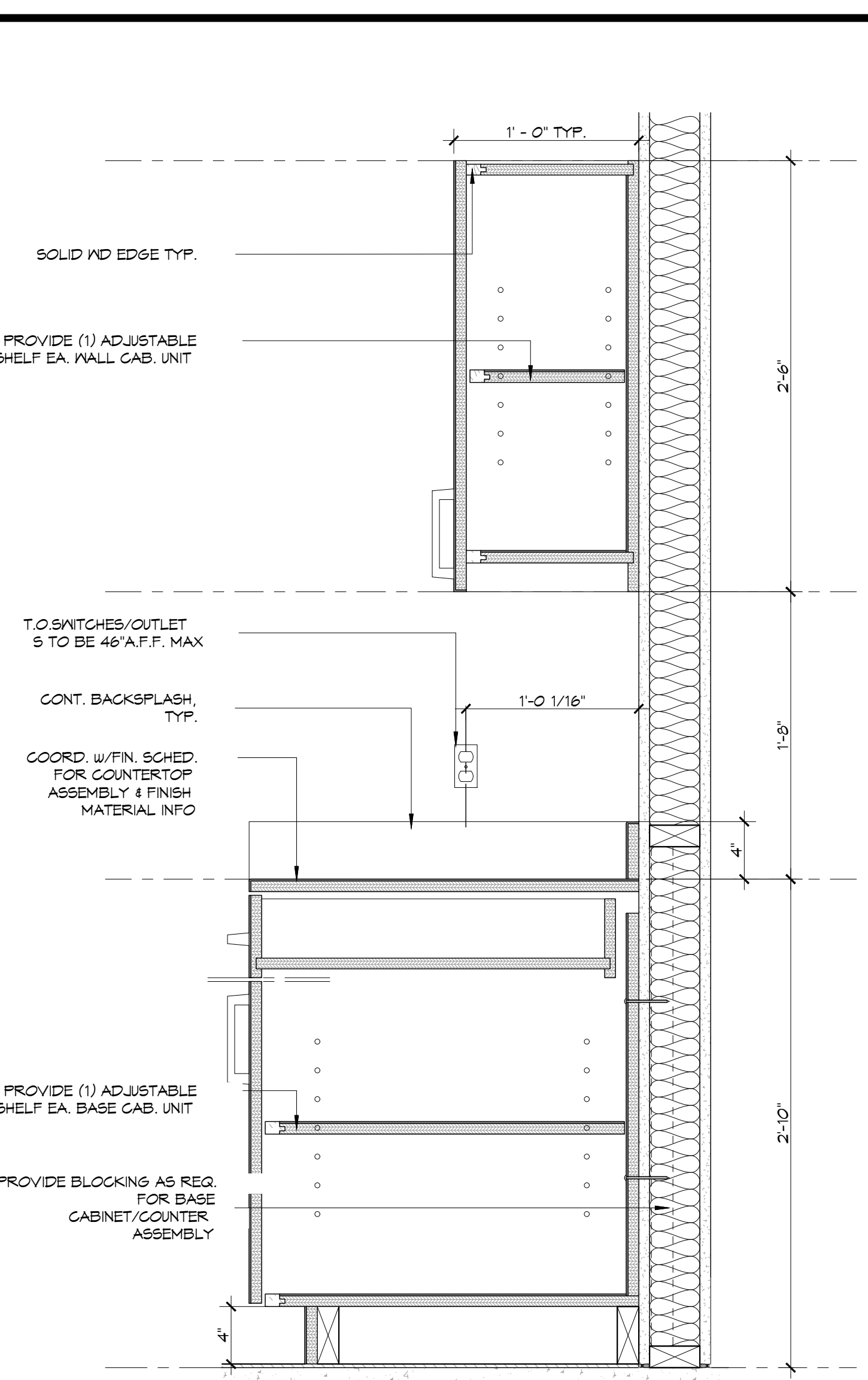
A5.2



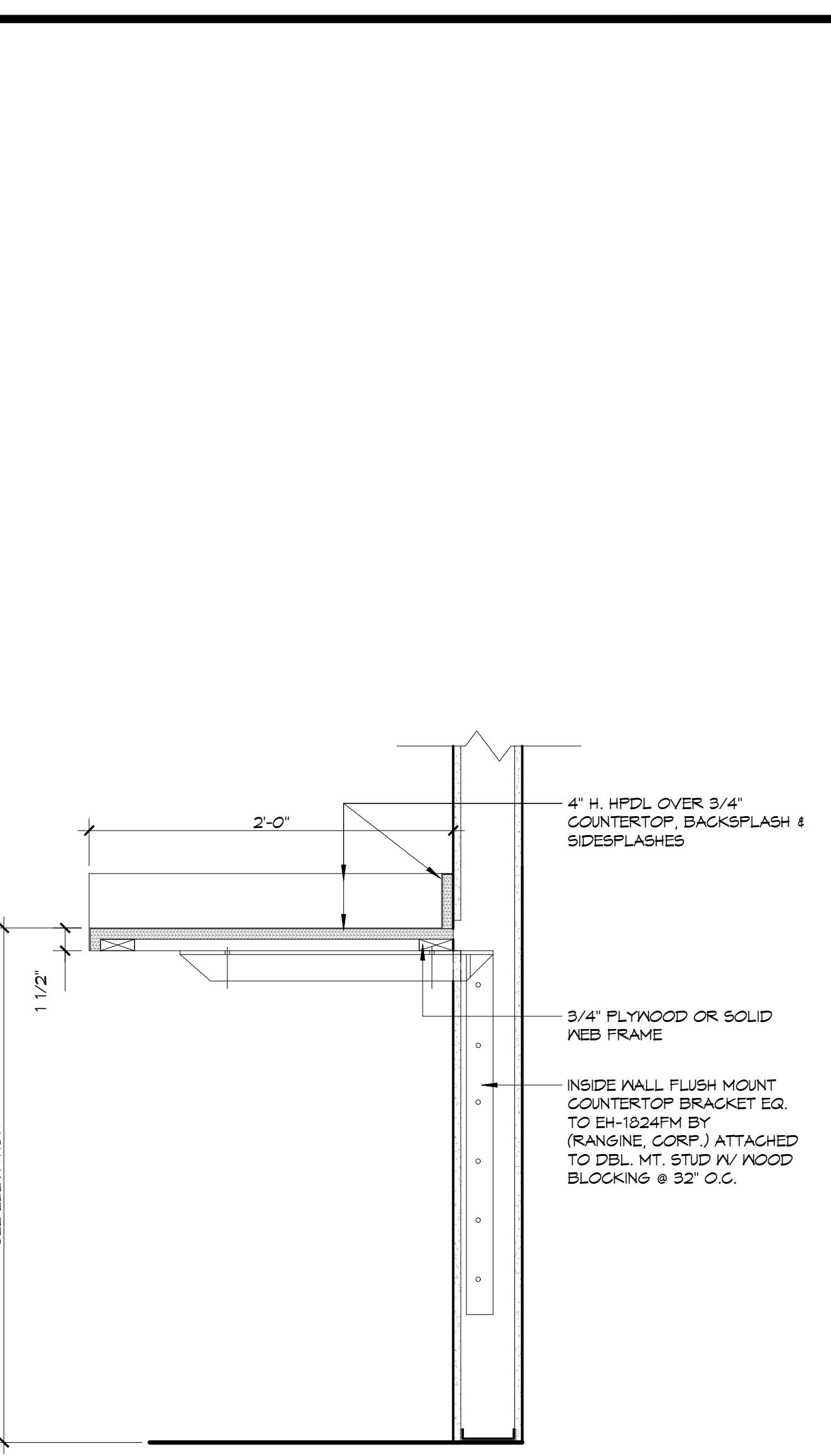
1 TYP CASEWORK W/APPLIANCE DETAIL
SCALE: 1-1/2" = 1'-0"



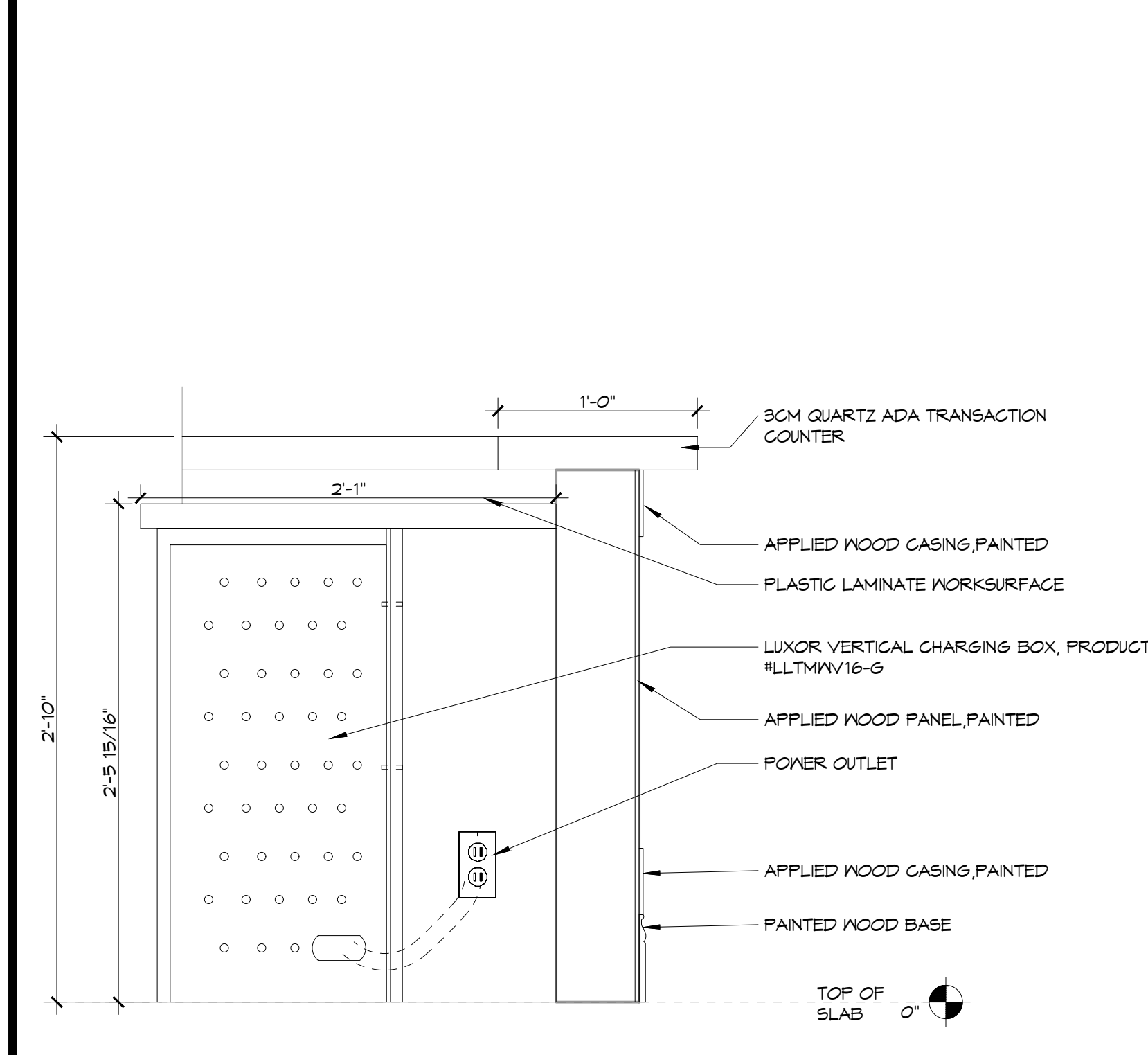
2 TYP CASEWORK W/SINK DETAIL
SCALE: 1-1/2" = 1'-0"



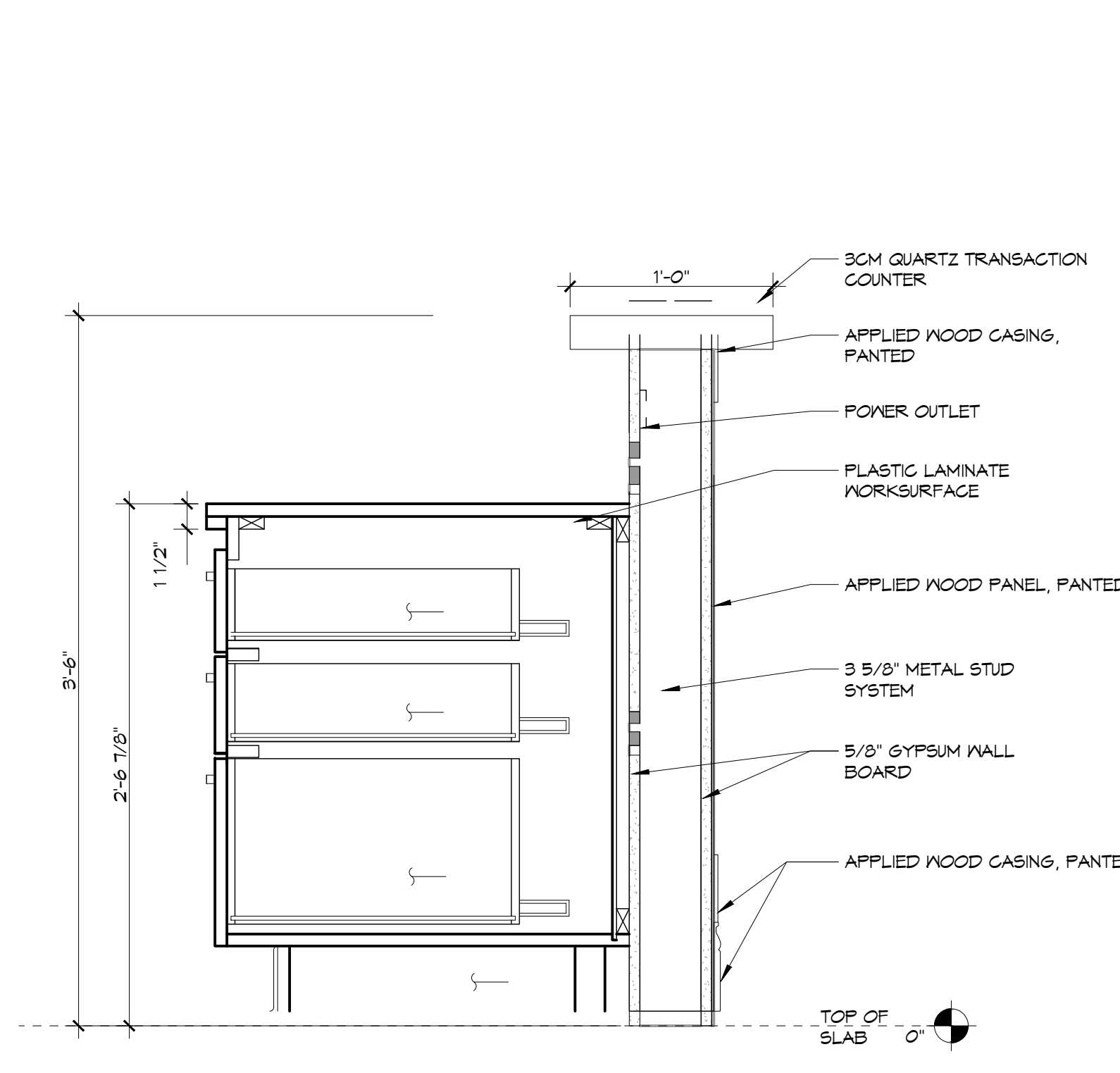
3 TYP CASEWORK DETAIL
SCALE: 1-1/2" = 1'-0"



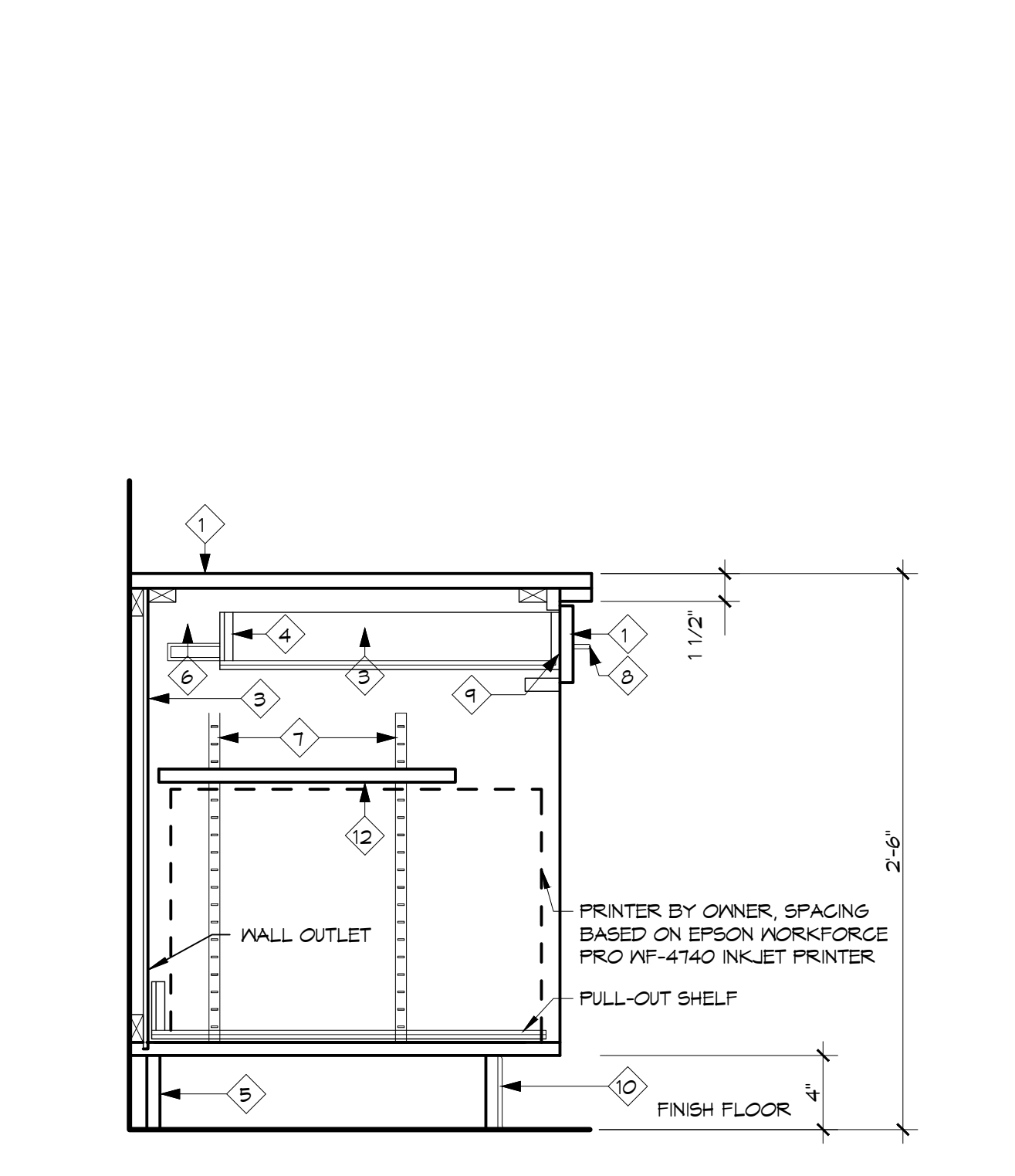
4 LAMINATE COUNTERTOP
SCALE: 1-1/2" = 1'-0"



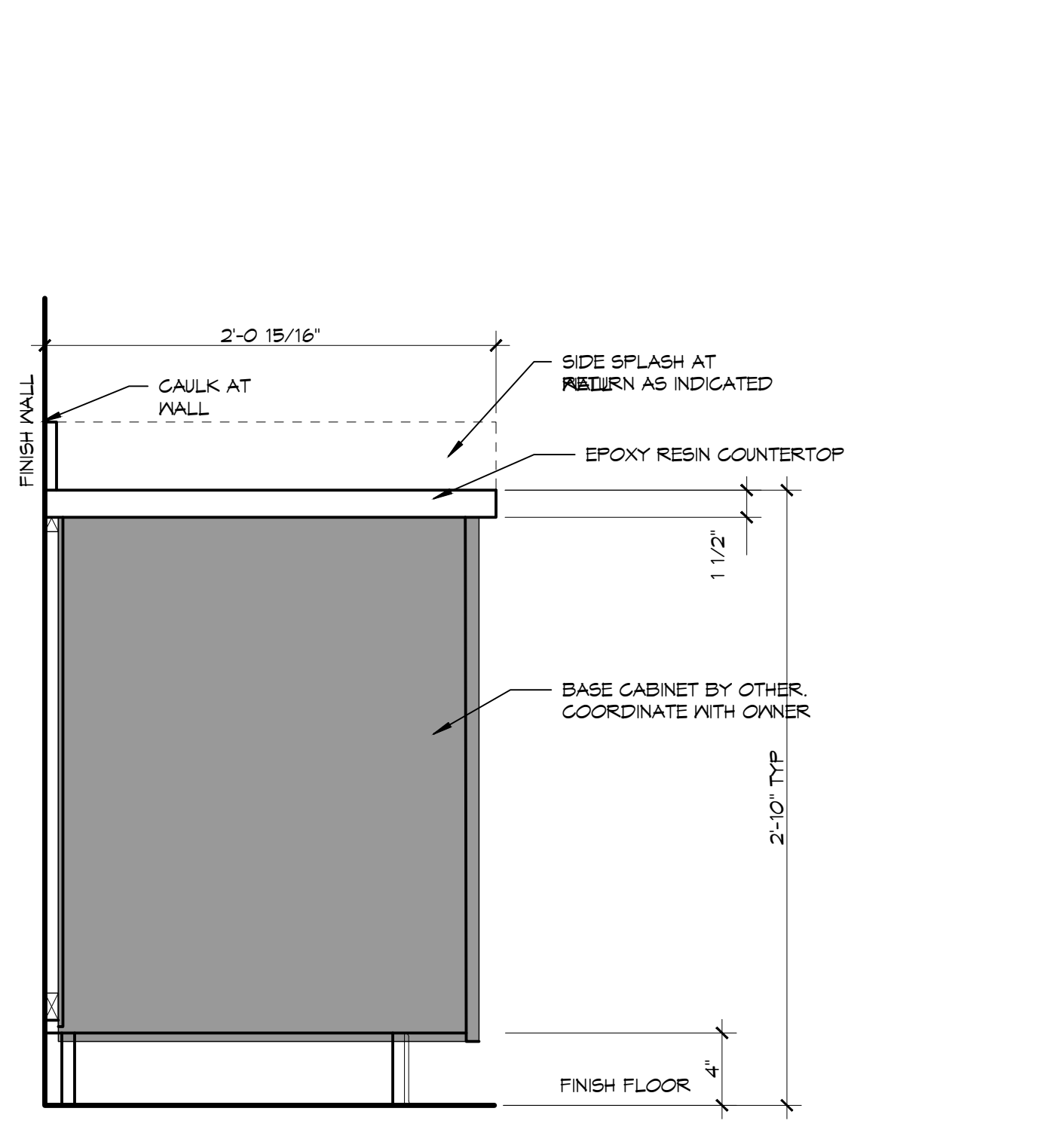
5 RECEPTION DESK
SCALE: 1-1/2" = 1'-0"



6 RECEPTION TRANSACTION COUNTER
SCALE: 1-1/2" = 1'-0"



7 RECEPTION PRINTER OPEN CABINETY
SCALE: 1-1/2" = 1'-0"



8 PRIMARY LAB CABINETY
SCALE: 1-1/2" = 1'-0"

DAMMON ENGINEERING, INC.
LOUISIANA & MISSISSIPPI
www.dammonengineering.com
info@dammonengineering.com
PH: 985.649.8832
Chief Engineer: Brian March, PE
554 Old Spanish Trail
Shreveport, LA 70458

#	DESCRIPTION	DATE



NEW MEDICAL OFFICE
DIANA OAK HARBOR REAL ESTATE LLC
340 OAK HARBOR BLVD
SHREVEPORT, LA 70458
JOB No: 2513 DATE: 05-16-2025
DRAWN BY: CKD CHECKED BY: JMS
SHEET TITLE: MILLWORK
DRAWING NUMBER:
SHEET No: 27 of 52

A11.0

