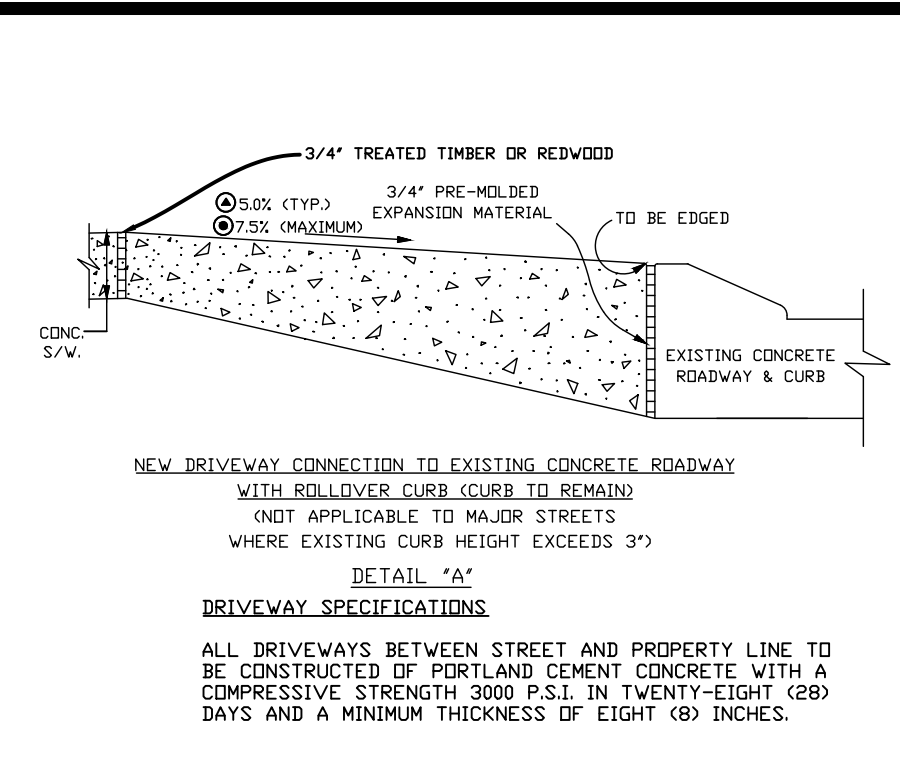
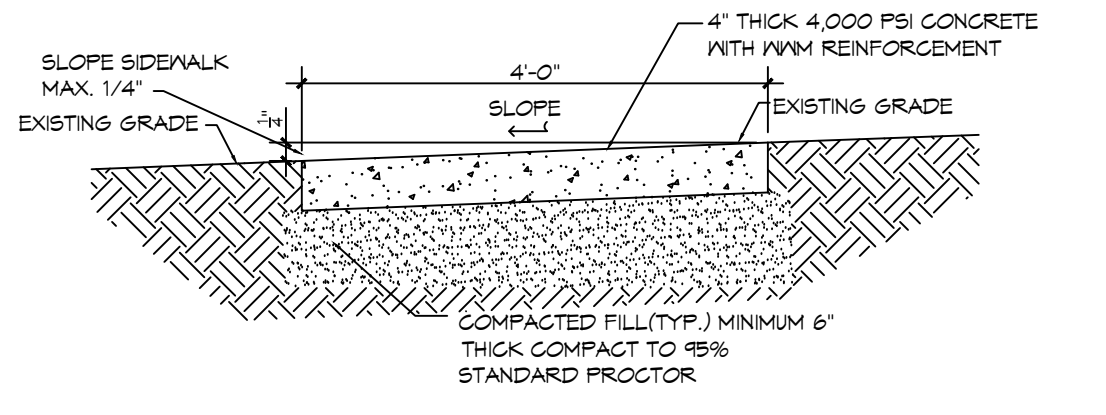
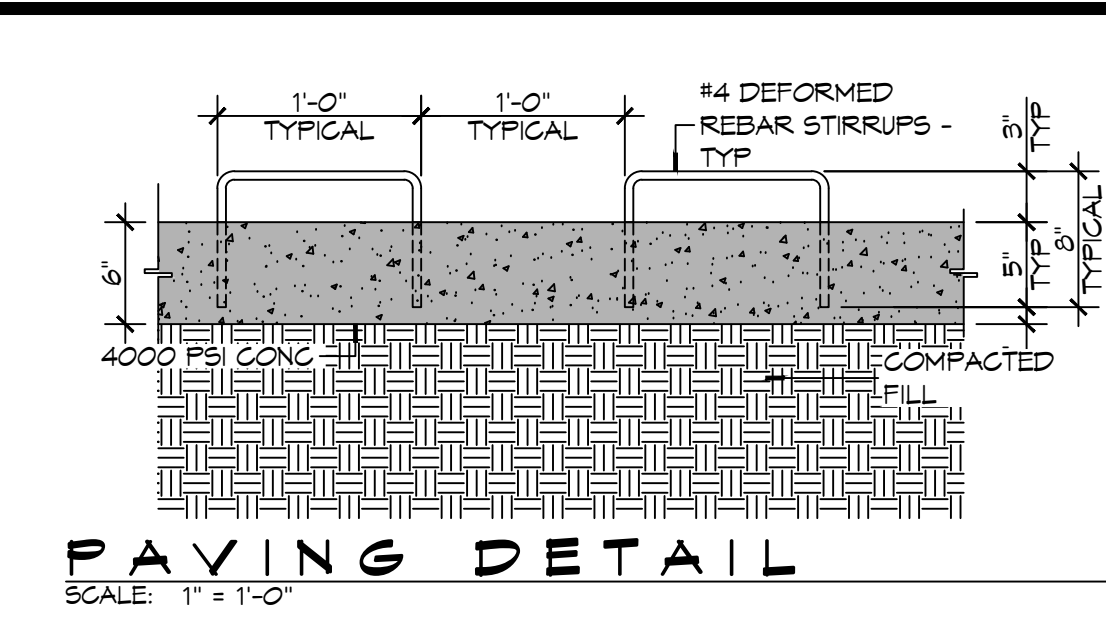


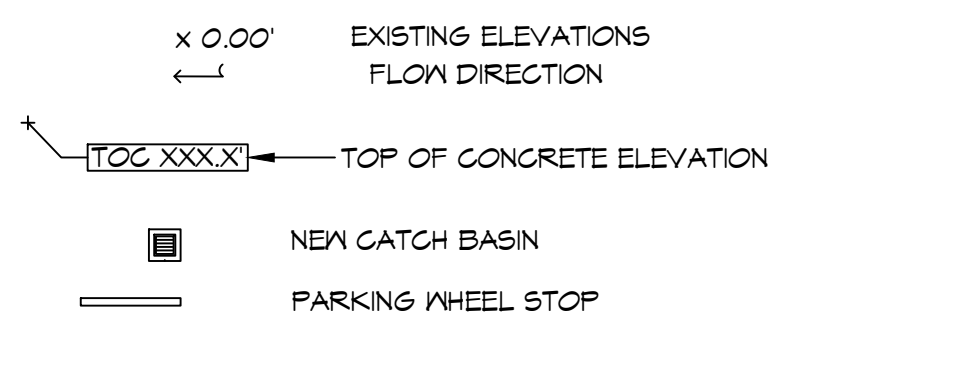
- NOTES:**
1. ALL GEOTEXTILE FABRIC TO BE 3'-0" WIDE AND TO OVERLAP NO LESS THAN 1/2 OF PIPE DIAMETER AT ALL JOINTS.
  2. ADDITIONAL BEDDING MATERIAL MAY BE REQUIRED AS DIRECTED BY THE ENGINEER.
  3. TIMBER PLANKING UNDER CULVERTS MAY BE REQUIRED BY THE ENGINEER.



**GENERAL PAVING NOTES**

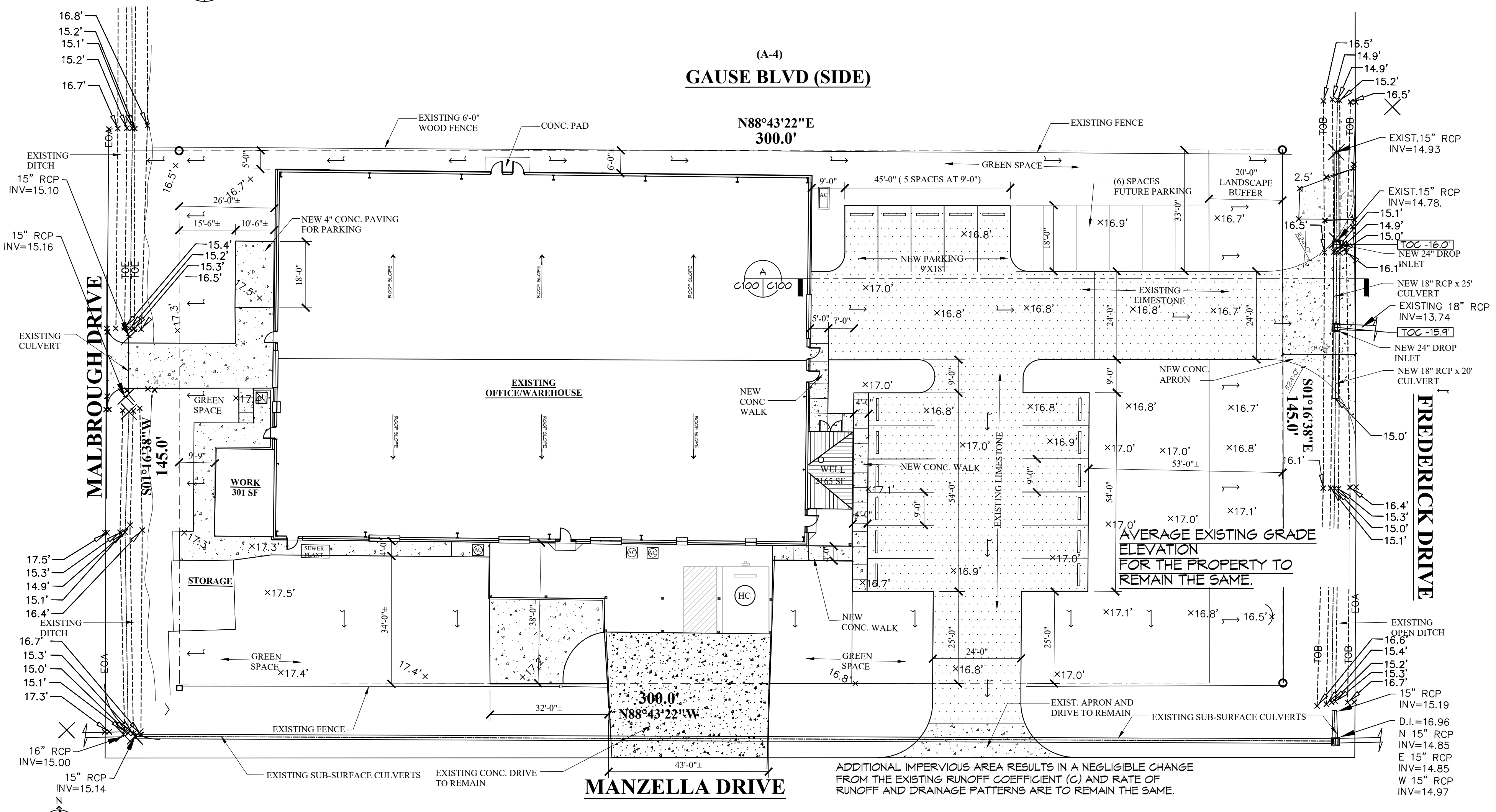
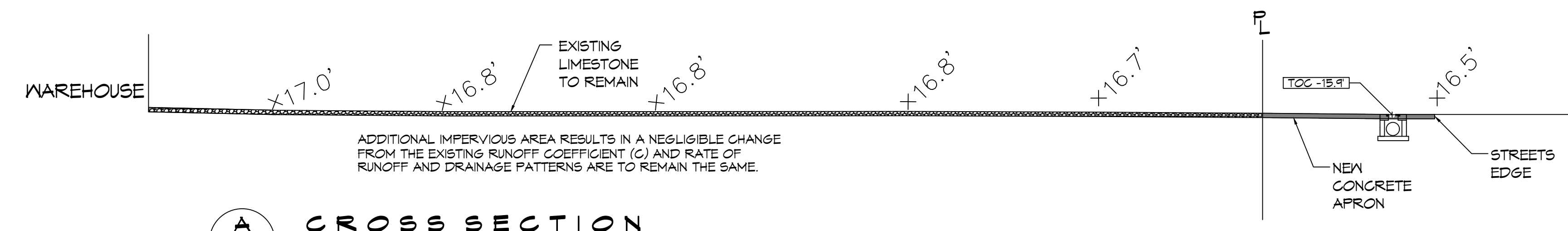
1. ALL NEW CONCRETE SHALL HAVE A MINIMUM COMPRESSIVE STRENGTH OF 3,000 PSI AT 28 DAYS AND A MINIMUM THICKNESS OF 6". CONCRETE MIX SHALL BE IN ACCORDANCE WITH THE LATEST REVISION OF ASTM C-150 TYPE 1.
2. ALL REINFORCING STEEL SHALL MEET ASTM-A615 (GRADE 60).
3. ALL REINFORCING STEEL SHALL BE SECURELY SUPPORTED TO PREVENT BOTH VERTICAL AND HORIZONTAL MOVEMENT DURING CONCRETE PLACEMENT. ALL CONTROL AND EXPANSION JOINTS SHALL BE LOCATED AND INSTALLED AS SHOWN ON THE PAVING PLAN AND IN ACCORDANCE WITH THE MANUFACTURER'S RECOMMENDATIONS.
4. ALL SUB GRADE FILL SHALL BE SELECT GRANULAR MATERIAL COMPACTED TO 95% STANDARD PROCTOR DENSITY IN A MAXIMUM OF 6" LIFTS.
5. ANY WORK WITHIN THE ROADWAY OR ADJACENT TO THE ROADWAY CAUSING AN INTERFERENCE TO VEHICULAR TRAFFIC MUST CONFORM TO THE REQUIREMENTS SET FORTH BY THE UNIFORM MANUAL OF TRAFFIC CONTROL DEVICES OF THE STATE OF LOUISIANA. THE CONTRACTOR MUST FURNISH ALL NECESSARY TRAFFIC SIGNS AND/OR BARRICADES AND MAINTAIN THEM DURING CONSTRUCTION ACTIVITY.

**DRAINAGE LEGEND**



**2 DROP INLET AND PIPE BEDDING**

SCALE: N.T.S.



**DAMMON ENGINEERING, INC.**  
LOUISIANA & MISSISSIPPI

Chief Engineer: Brian Mistich, PE  
554 Old Spanish Trail  
Slidell, LA 70668  
www.dammonengineering.com  
info@dammonengineering.com  
PH: 985.449.9832

#	DESCRIPTION	DATE

SEAL:

**OFFICE / STORAGE**

30225 MANZELLA DRIVE,  
SLIDELL, LOUISIANA

JOB No:   
DRAWN BY:   
DATE: 01-07-2025   
CHECKED BY:   
BAM

SHEET TITLE:  
**PROPOSED DRAINAGE AND PAVING PLAN**

DRAWING NUMBER:  
**C100**

SHEET No: 1 of 6