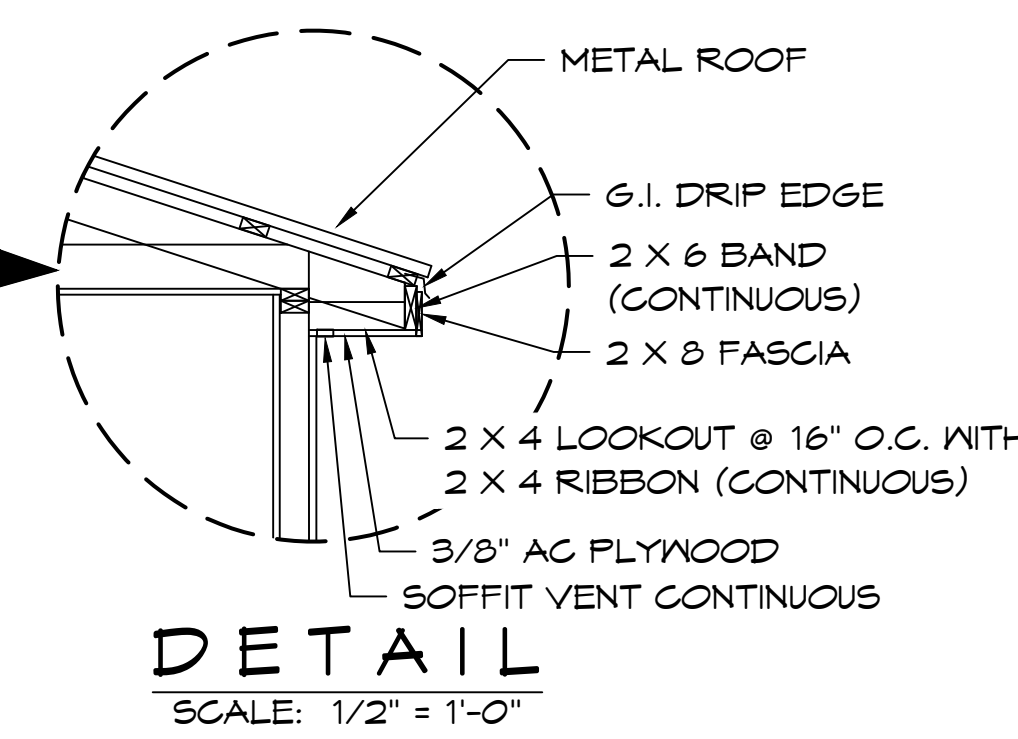
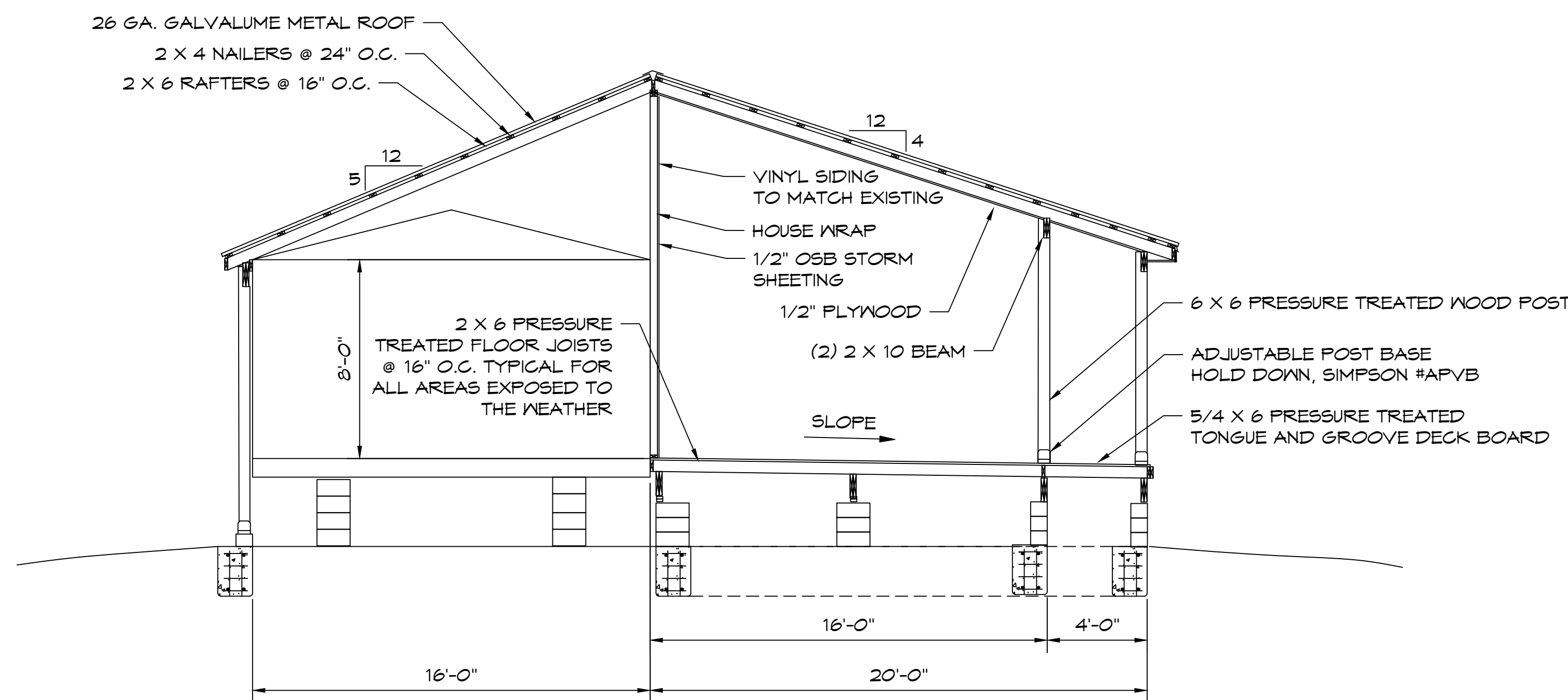


CROSS SECTION "A" - "A"
SCALE: 1/4" = 1'-0"

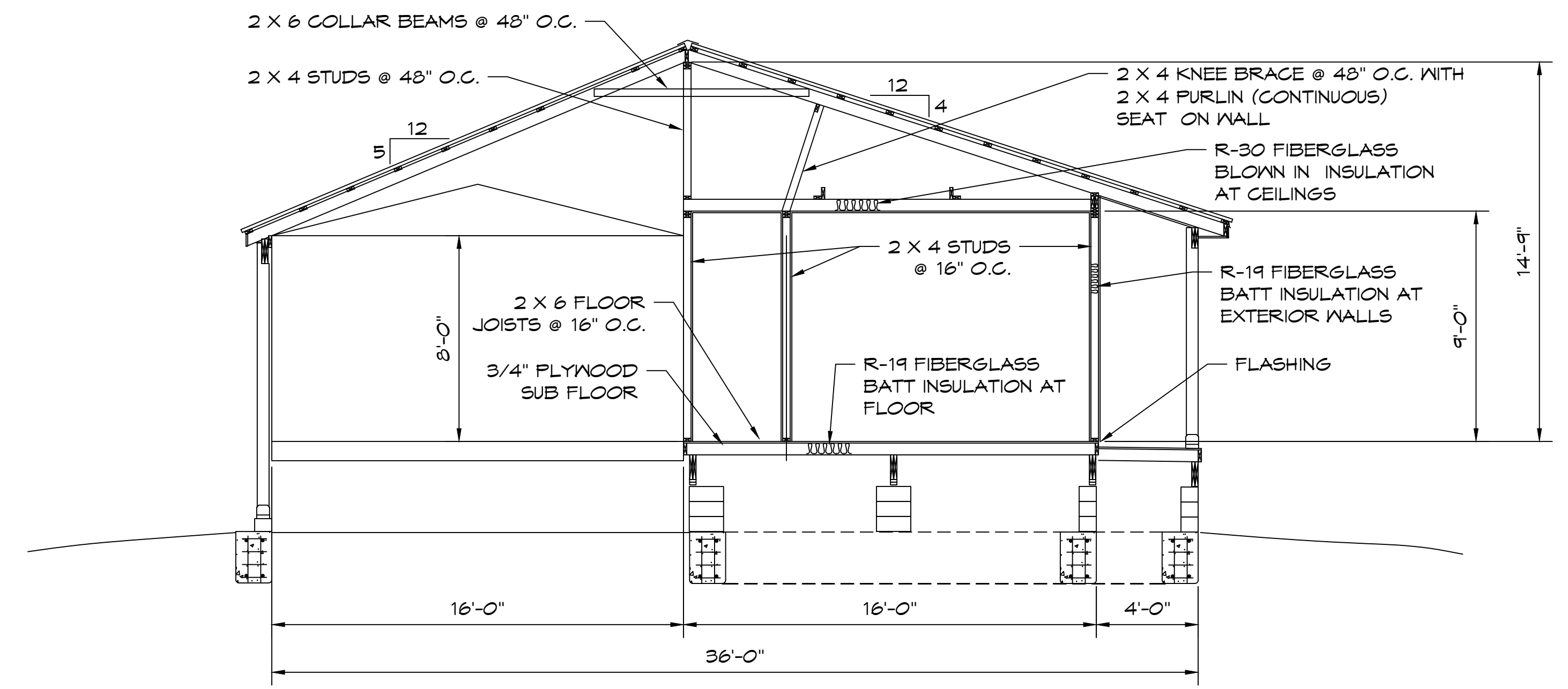


CROSS SECTION NOTES:

1. THE CONSTRUCTION FOR SAID RESIDENCE, WHERE VUL WIND SPEED IS 140 MILES PER HOUR AND VASD WIND SPEED IS 130 MPH, WIND EXPOSURE ZONE C, IS DESIGNED IN ACCORDANCE WITH: AMERICAN FOREST AND PAPER ASSOCIATION (AF&PA) WOOD FRAME CONSTRUCTION MANUAL FOR ONE AND TWO FAMILY DWELLINGS (NFCM) 2001 EDITION AS WELL AS THE INTERNATIONAL RESIDENTIAL CODE (IRC) 2021 EDITION.
2. USE METAL JOIST HANGERS AND STRAPS AS CALLED OUT ON THE STANDARD DETAIL SHEETS ATTACHED TO THIS PACKAGE.



CROSS SECTION "B" - "B"
SCALE: 1/4" = 1'-0"



CROSS SECTION "C" - "C"
SCALE: 1/4" = 1'-0"

A RESIDENCE FOR: MR. AND MRS. ORELLANA			
73365 BIRDIE STREET, ABITA SPRINGS, LA, 70420			
SCALE: SHOWN	APPROVED BY:	DRAWN BY:	
DATE: 9/20/2025		ANTHONY E. PONCETI	
SHEET	CROSS SECTIONS		
5	DRAWING NUMBER:		
9			