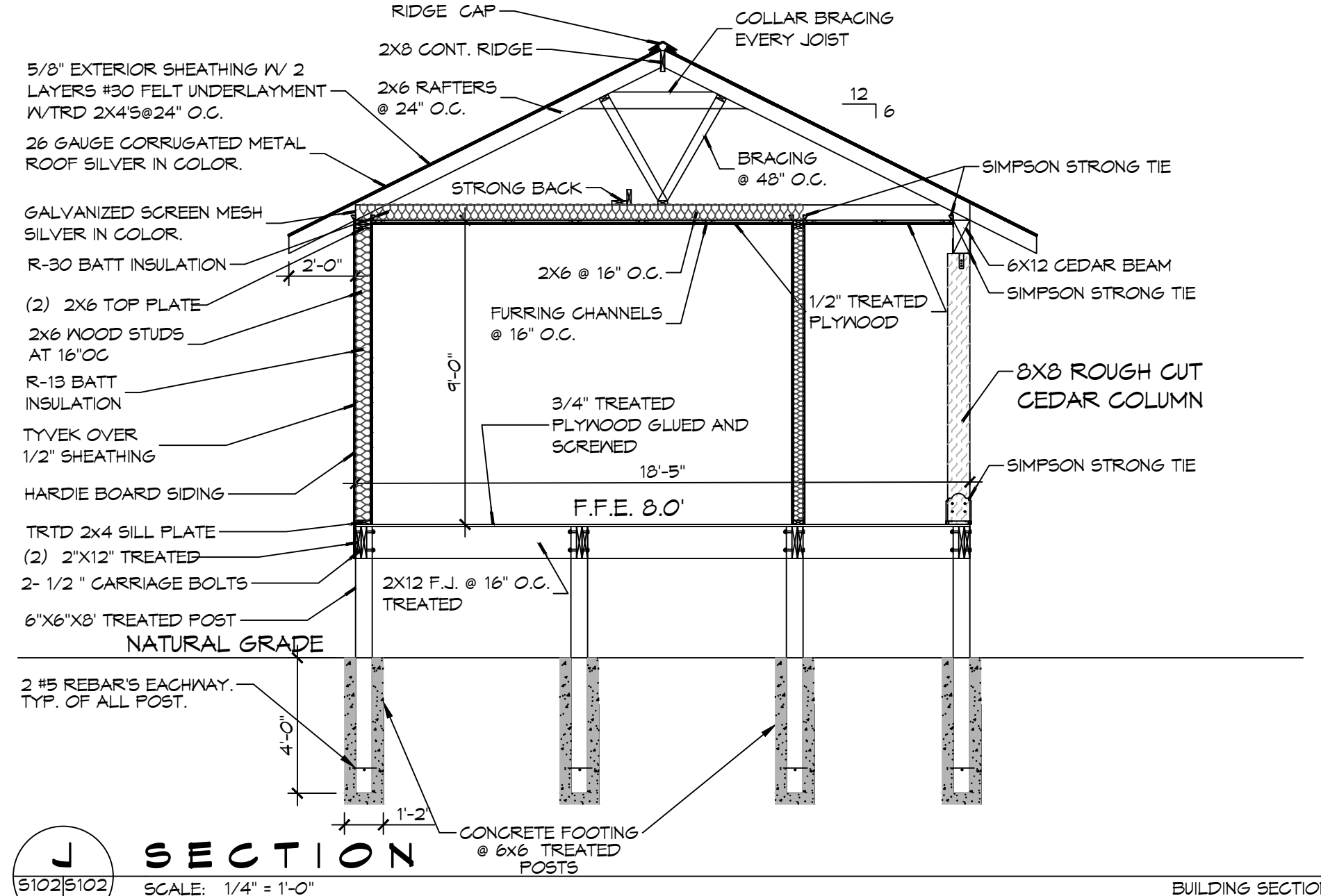
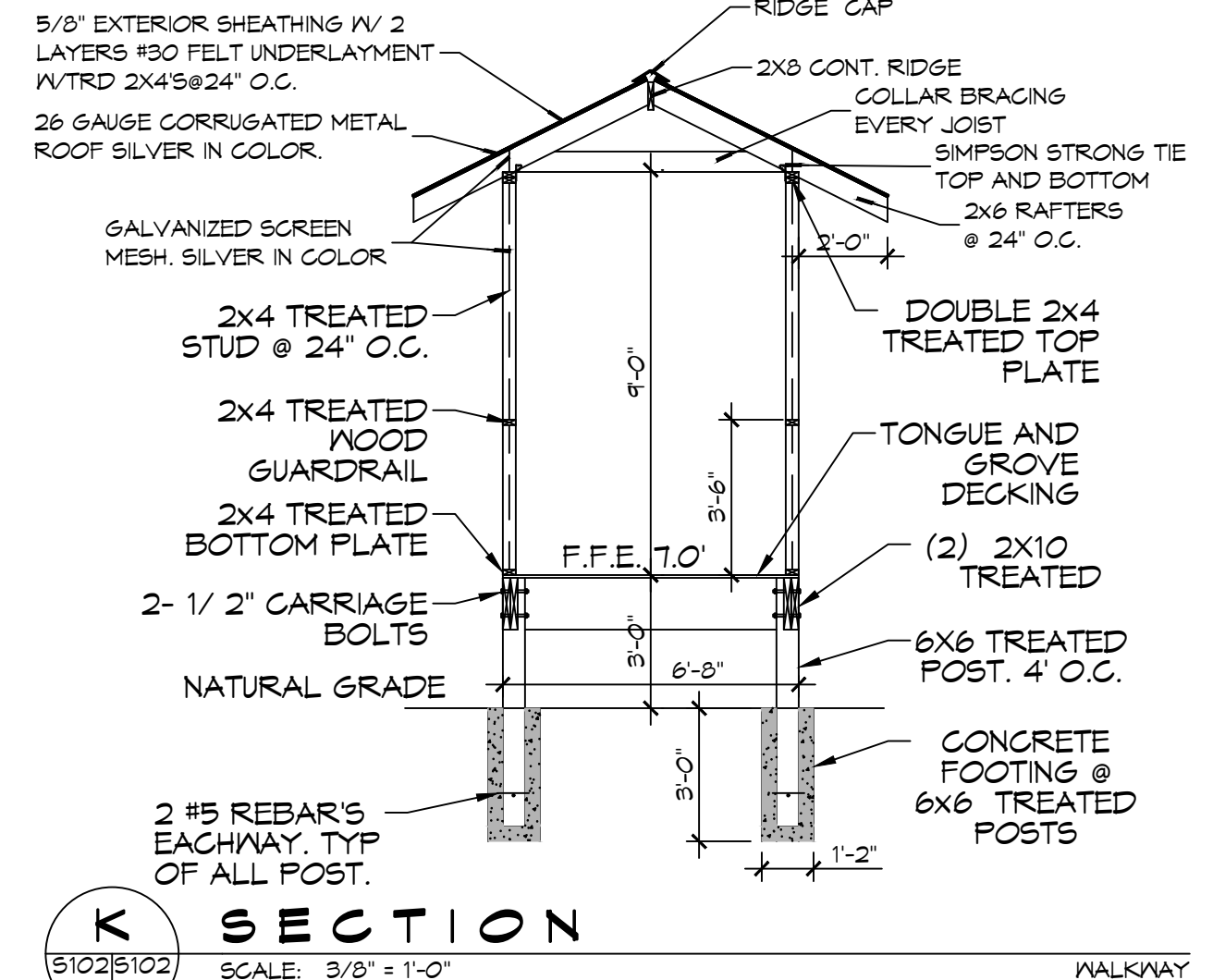


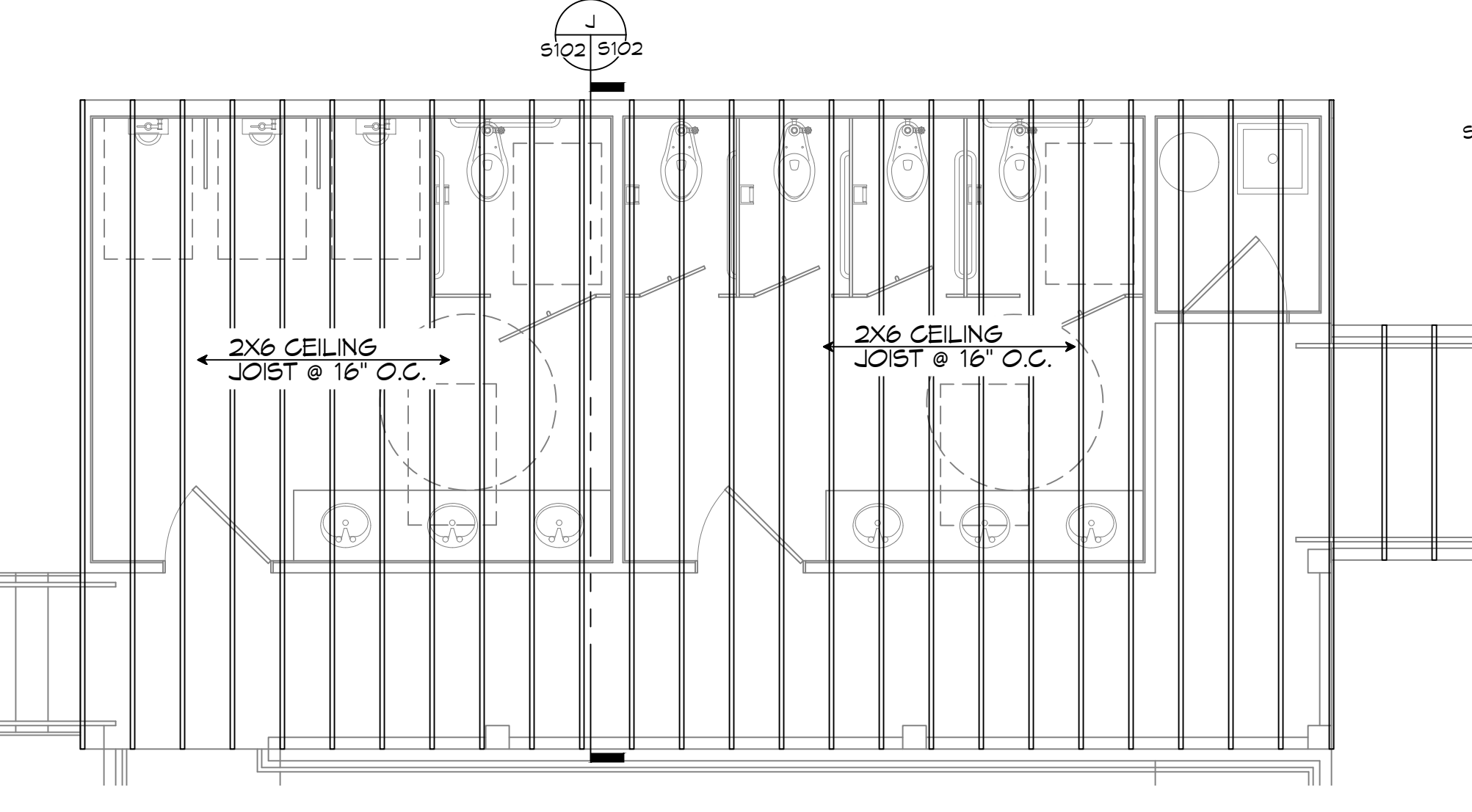
10 FLOOR JOIST FRAMING LAYOUT
RESTROOM
SCALE: 1/4" = 1'-0"



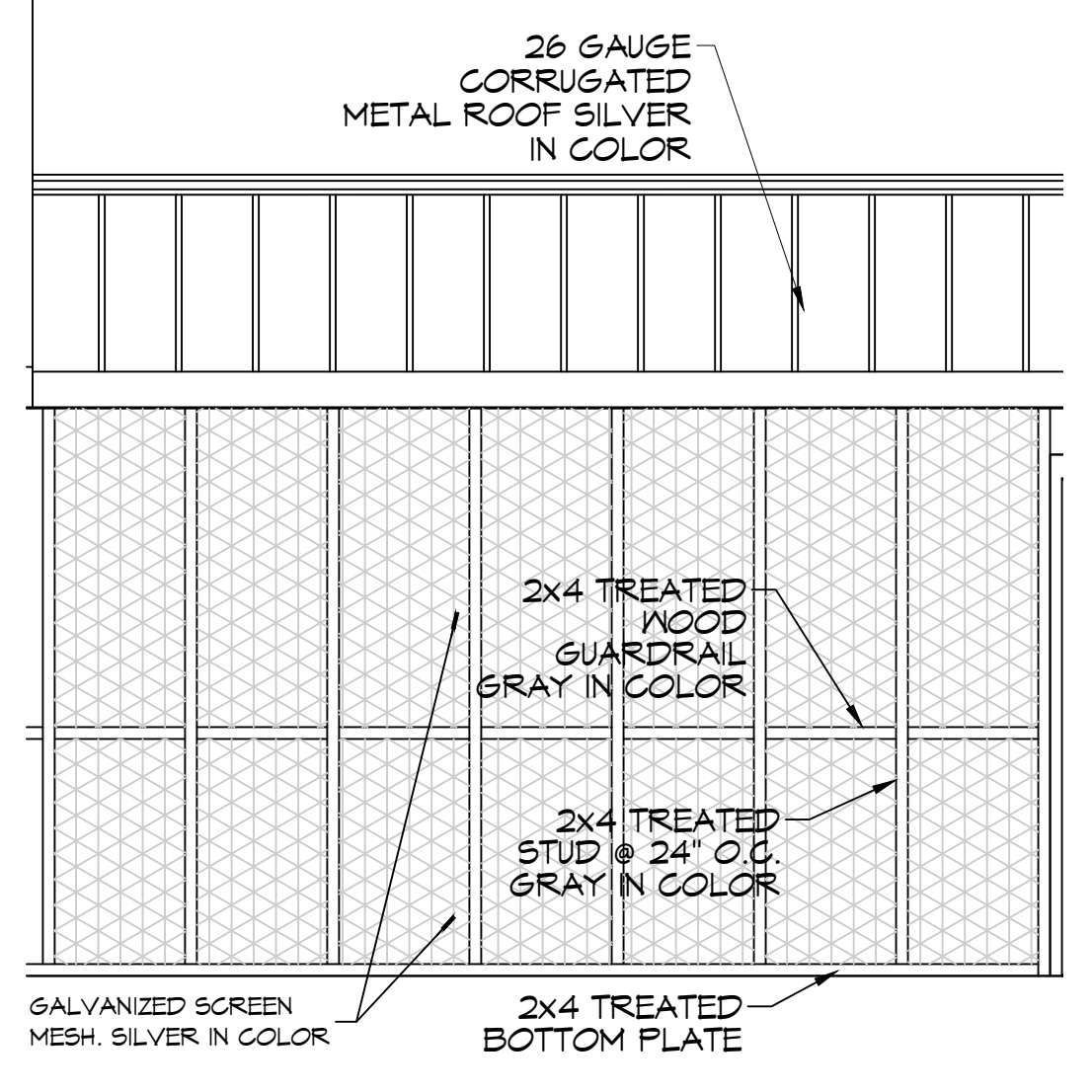
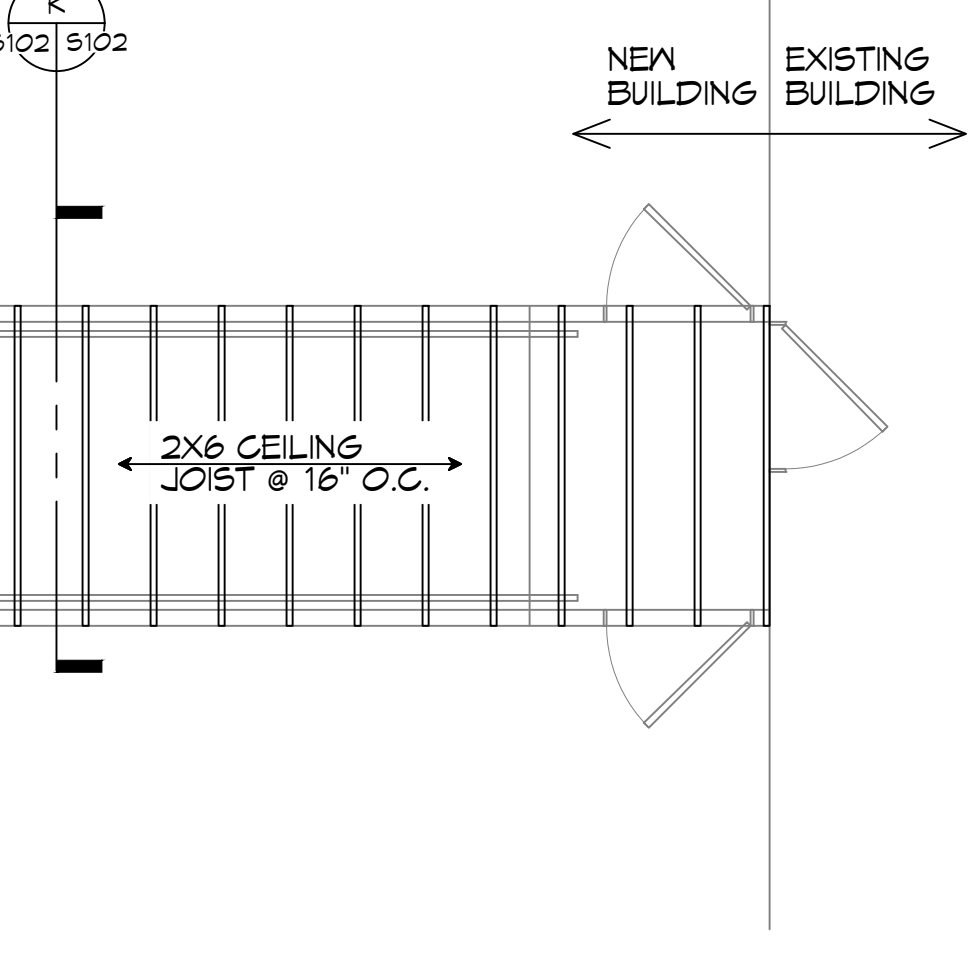
J SECTION
BUILDING SECTION
SCALE: 1/4" = 1'-0"



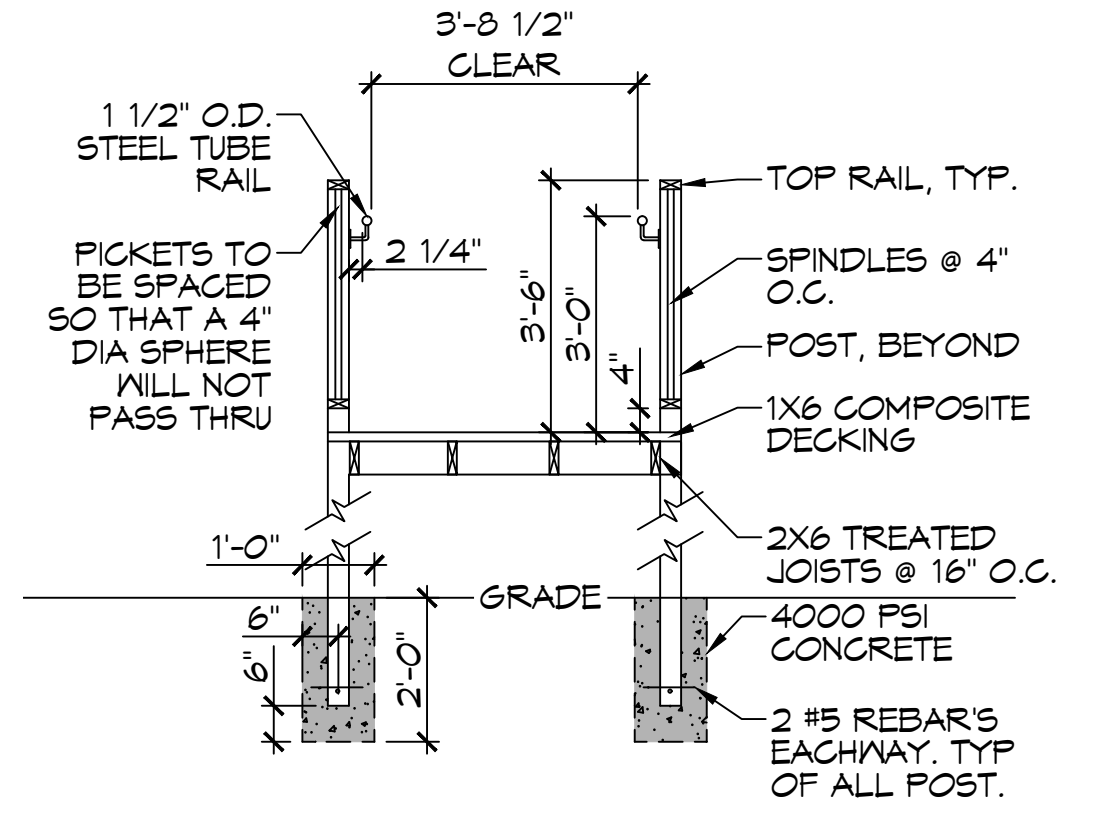
K SECTION
WALKWAY
SCALE: 3/8" = 1'-0"



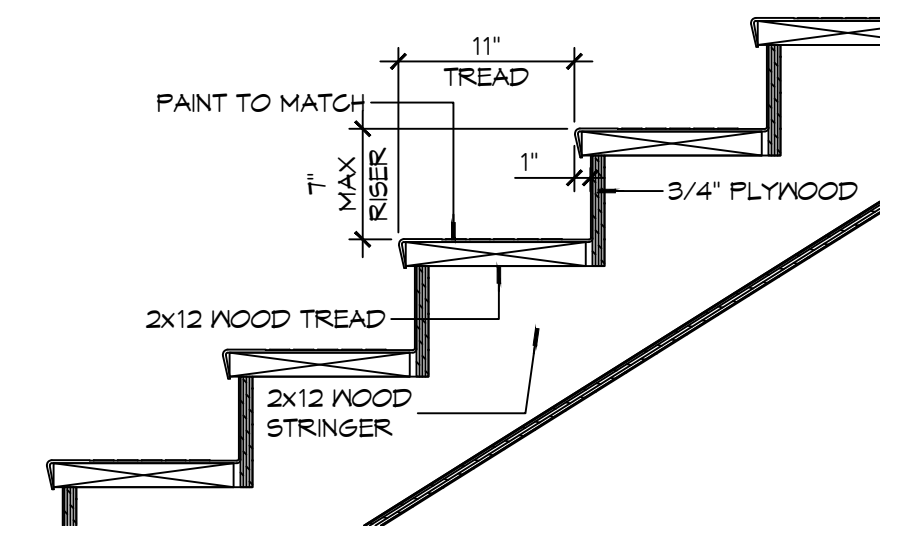
11 CEILING JOIST FRAMING LAYOUT
RESTROOM
SCALE: 1/4" = 1'-0"



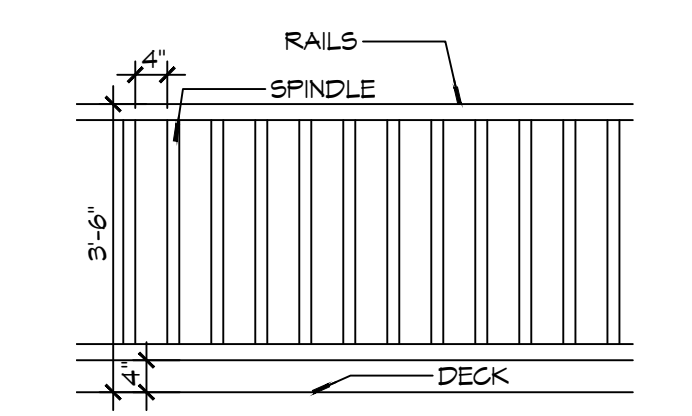
SCREENED PORCH
SCALE: 3/8" = 1'-0"



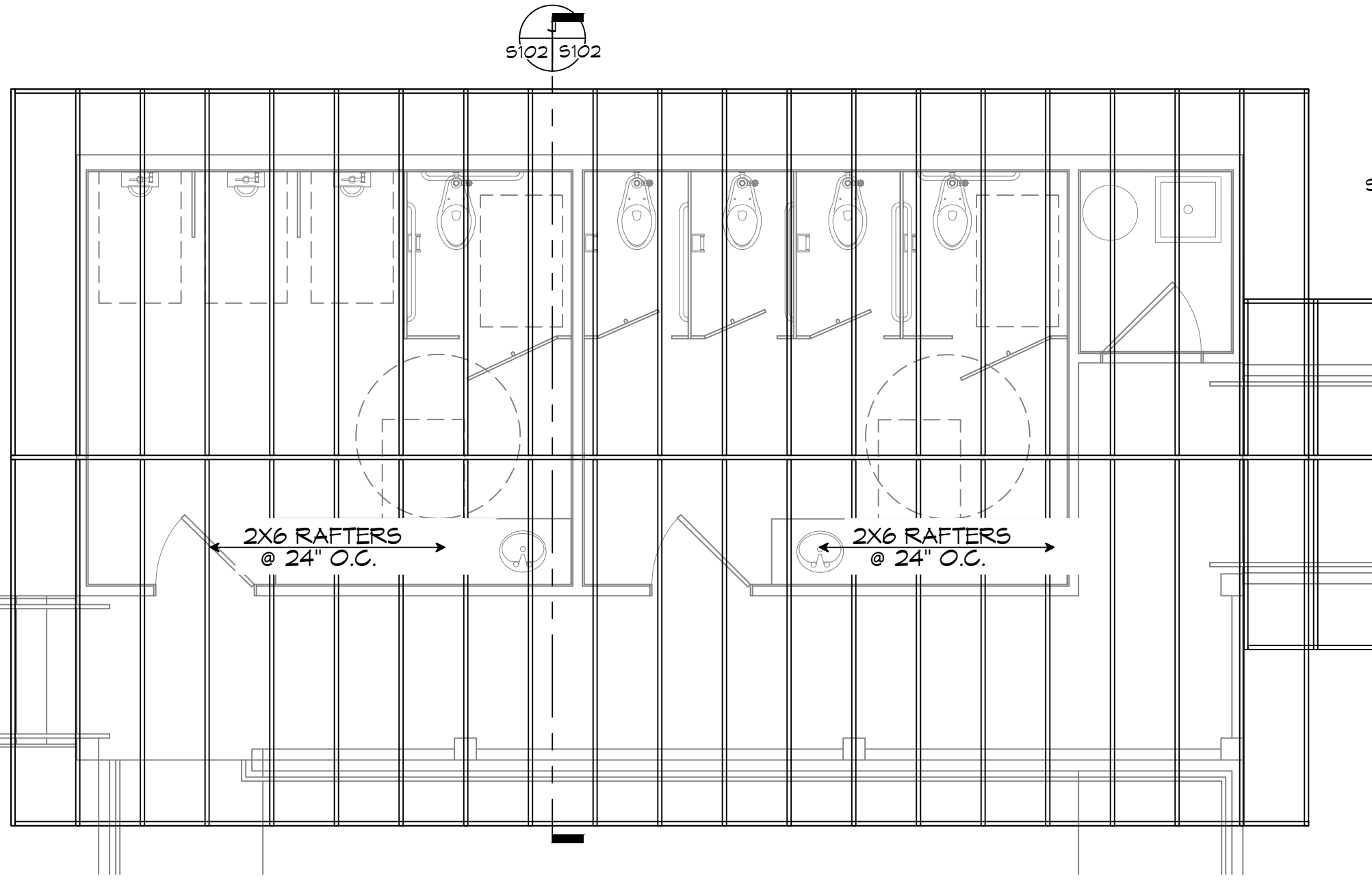
RAMP SECTION
SCALE: 3/8" = 1'-0"



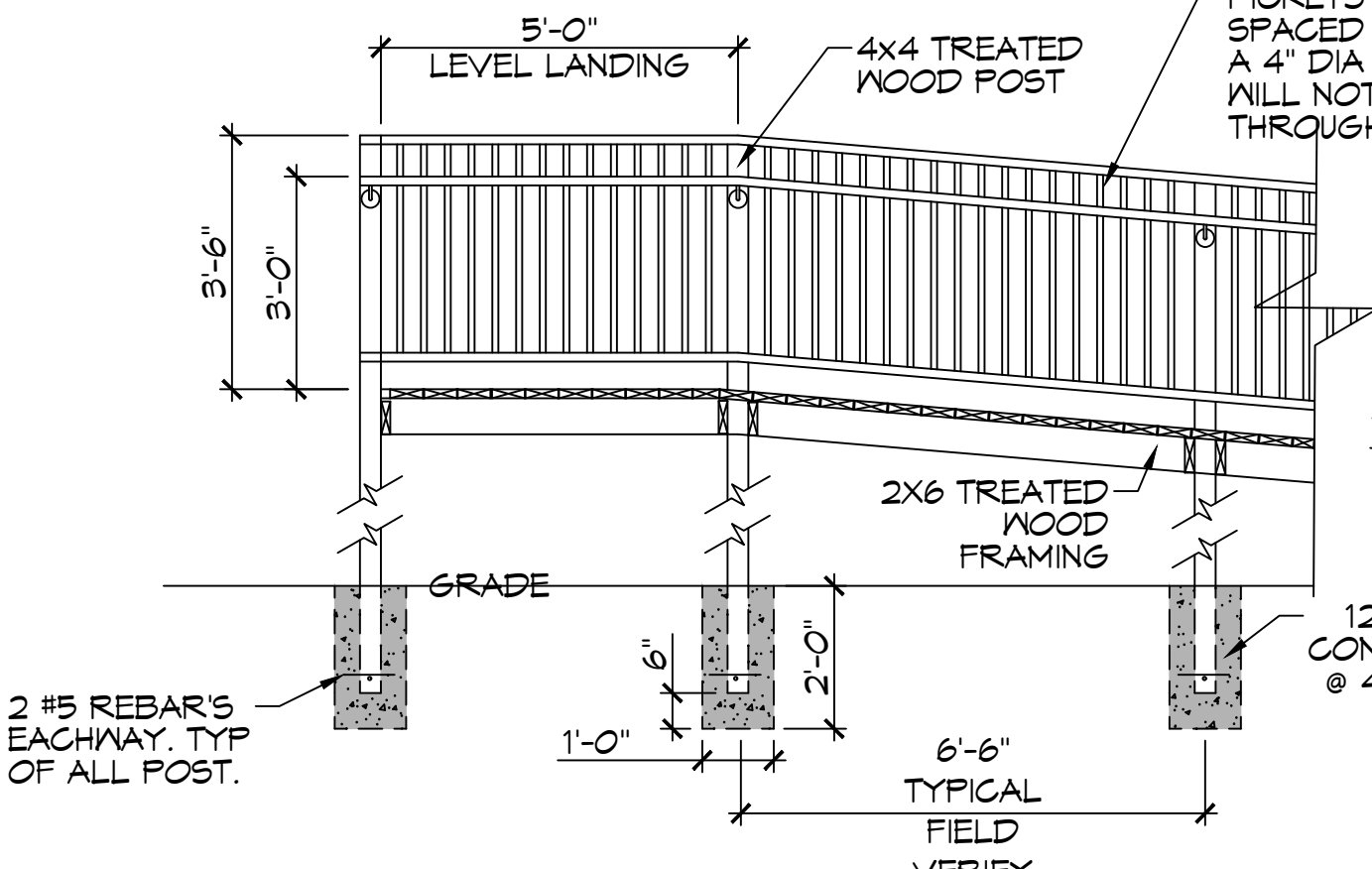
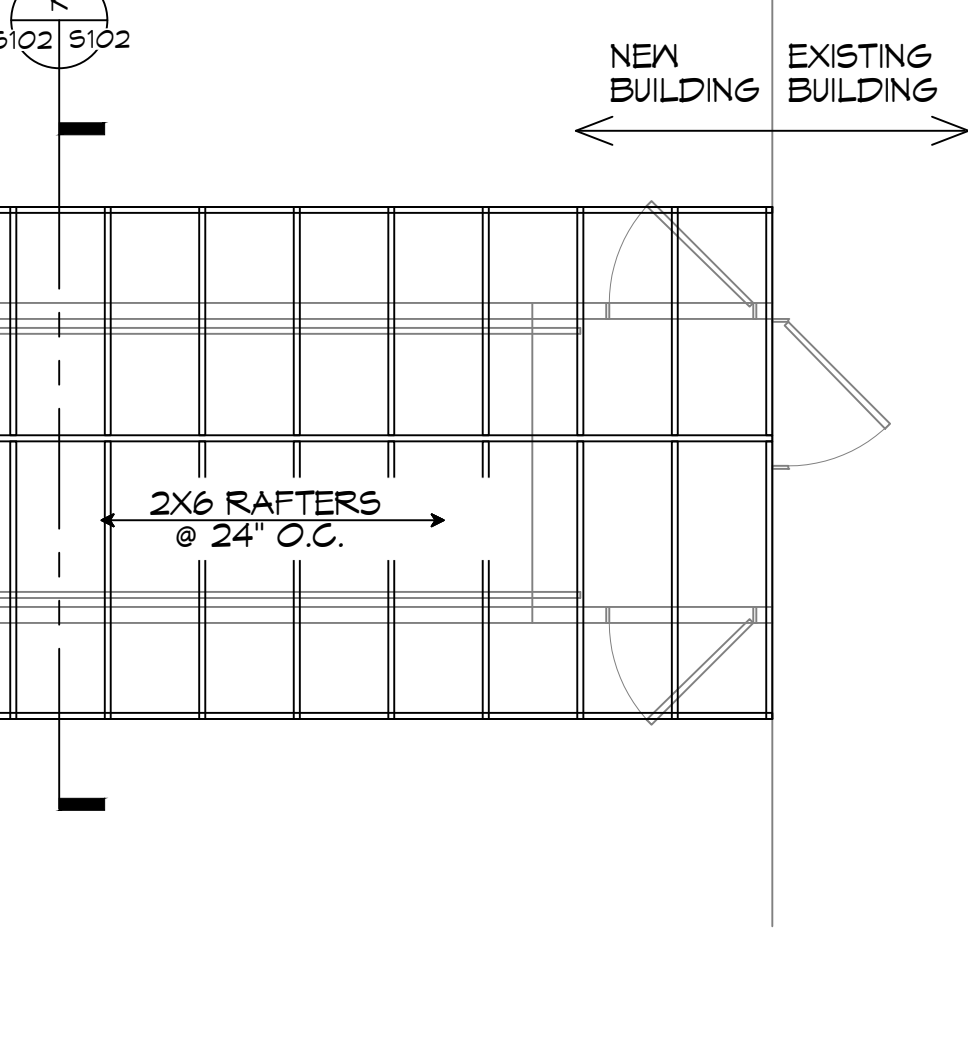
STAIR RISER
SCALE: 1/2" = 1'-0"



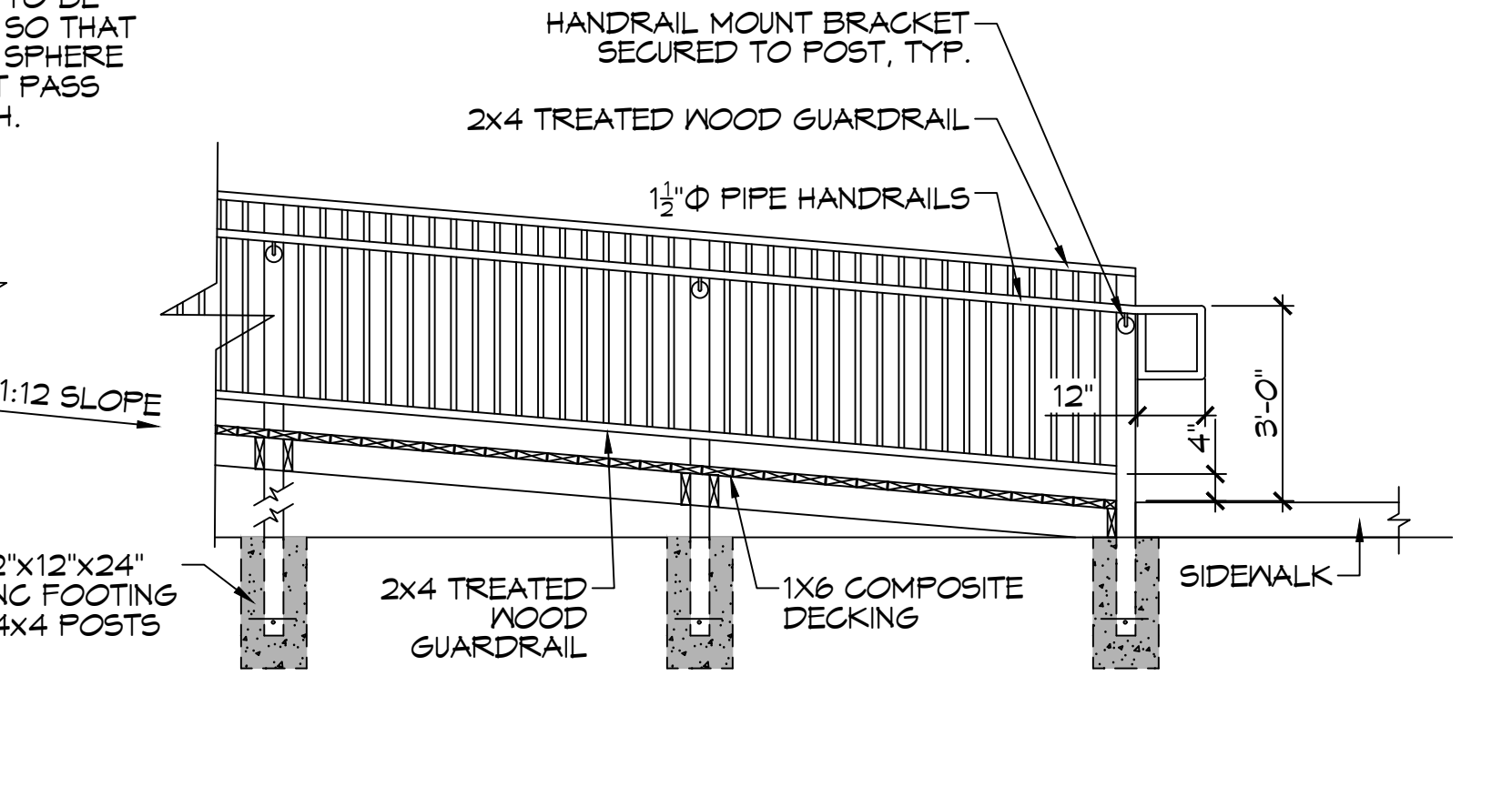
PORCH RAILING
SCALE: 1/2" = 1'-0"



12 ROOF RAFTER FRAMING LAYOUT
RESTROOM
SCALE: 1/4" = 1'-0"

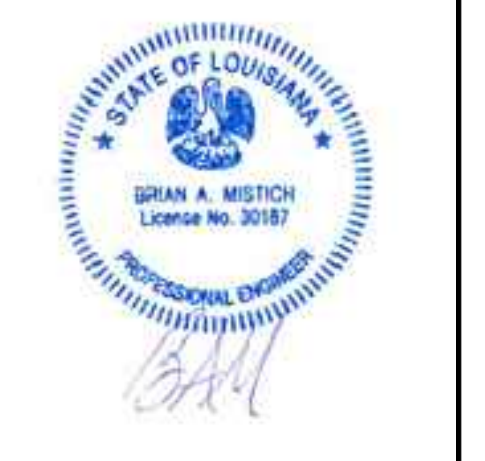


TYPICAL ADA RAMP
SCALE: 3/8" = 1'-0"



TYPICAL ADA RAMP
SCALE: 3/8" = 1'-0"

DATE	REVISIONS	DESCRIPTION



NEW RESTROOMS
PALMETTOS ON THE BAYOU
1501 BAYOU LN.
SHIDELL, LA 70488
JOB No: 2024-05-24-2025
DATE: 05-24-2025
DRAWN BY: JMS
CHECKED BY: CAC

SHEET TITLE:
FLOOR JOIST, CEILING JOIST, ROOF RAFTER LAYOUT & SECTIONS
DRAWING NUMBER:
S101
DESIGN CRITERIA
THE CONSTRUCTION FOR SAID RESIDENCE, WHERE BASIC WIND SPEED IS 140 MILES PER HOUR, WIND EXPOSURE ZONE C, IS DESIGNED IN ACCORDANCE WITH: AMERICAN FOREST AND PAPER ASSOCIATION (AF&PA) WOOD FRAME CONSTRUCTION MANUAL FOR ONE AND TWO FAMILY DWELLINGS (MFCM) 2001 EDITION AS WELL AS THE INTERNATIONAL RESIDENTIAL CODE (IRC) 2021 EDITION
SHEET No: 5 of 4