

JADEMAR

I G H T I N G

JPHBS SERIES

PREMIUM QUALITY ROUND HIGH BAY CCT & POWER SELECTABLE LUMINAIRE

PRODUCT DESCRIPTION

Introducing the Jademar JPHBS Round High Bay luminaire series, meticulously crafted to bring you top-notch efficiency, brilliant lumen output, and precise light control, making it the ideal choice for even the most demanding lighting scenarios.

Employing state-of-the-art LED technology, this luminaire provides an exceptional 80+ Color Rendering Index (CRI) solution. It greatly enhances the visual appeal of products across the spectrum of commercial and industrial settings, ensuring the highest quality color rendering.

The JPHBS-PS High Efficacy High-Bay luminaire boasts a variety of mounting options that adhere to industry standards. This versatility allows you to effortlessly adapt it for both retrofit projects and new installations across a wide array of industrial applications.

STANDARD FEATURES

Construction and Materials

- Die-cast aluminum housing and heat-sink for added protection
- Support O/G Hook for mounting

Optical System

- Optics: 100° Standard / 120° & 60° Optional

Electrical System

- Selectable Power: **150W** (150W / 120W / 100W)
240W (240W / 200W / 180W)
310W (310W / 270W / 240W)
- Static Power: 100W / 120W / 150W / 200W / 240W / 310W
- Input Voltage: 120-277VAC / 277-480VAC
- Efficacy: 150 lm/W ~ 170 lm/W
- Power Factor: >0.9
- CRI: 80CRI Standard / 90CRI Optional
- Operating Temp: -22°F to 136°F (-30°C to 58°C)
- Total Harmonic Distortion: <15%
- Integral Surge Protection: 6KV @ 120-277V and 4KV @ 277-480V

Dimming and Controls Options

- Dimming Capability and Range: Continuous Dimming to 10% or below
- Integral Control Capability: LLLC
- Sensor Types: Daylight Sensing, Occupancy Sensing
- SSL V5 Wired Communication Protocol: 0-10V Analog
- SSL V5 Wireless Communication Protocol: Bluetooth

Certifications and Compliance

- UL Listed for Wet Locations
 - DLC Premium Listed - Visit www.designlights.org
 - Meets FCC Part 15, Subpart B, Class A limits for conducted and radiated Emissions
- Lifetime Based on TM21:** L70 ≥ 150,000 / L80 ≥ 120,000 / L90 ≥ 61,000 Hrs

OPTIONAL FEATURES

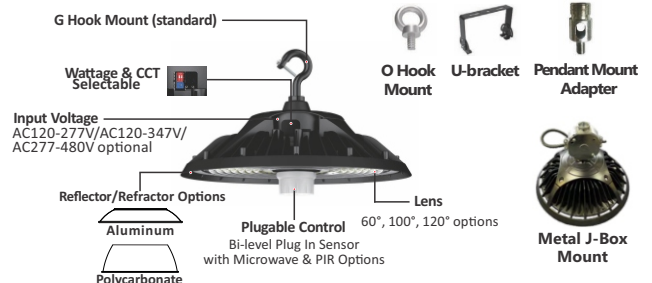
- 277-480V Available only on Straight Wattage Models
- Bi-level Microwave Occupancy/Motion Sensor, Bi-level Microwave Occupancy/Motion Sensor with Daylight Harvesting, and PIR Sensor
- Emergency Battery Backup
- O-Hook, U-Bracket, Pendant Mount Adapter, or Metal J-Box for Mounting
- Aluminum Reflector and PC Refractor
- Sil vair® Bluetooth Network Lighting Control System
- CASAMBI® Bluetooth Network Lighting Control System
- Custom Colors as Special Order - Identify RAL Color Code on order



PERFORMANCE SUMMARY

Primary Input Power	Selectable: 150W (150W / 120W / 100W) 240W (240W / 200W / 180W) 310W (310W / 270W / 240W)
	Static: 100W / 120W / 150W / 200W / 240W / 310W
Efficacy	150 ~ 170 lm/W
CCT	Selectable: 4000K / 5000K Static: 2700K / 3000K / 3500K / 4000K / 5000K
Construction	Die-cast aluminum housing and heat-sink for added protection and O/G Hook for mounting
Input Voltage	120-277VAC / 277-480VAC
Standard Ratings	IP66: Entire fixture is rated if made with external hardware like sensor/controller. IP69K: Entire fixture is rated if made without external hardware like sensor/controller. IK10: 10Kg impact resistant-rated without external hardware like sensor/controller.
Certifications/Compliance	ETL and DLC Premium Listed / IK10 Rated
Lifetime Based on Tm21	L70 @ 174,000Hrs. / L80 @ 129,000Hrs. / L90 @ 81,000Hrs.
Ambient Temperature	+58°C
Warranty	10 Years Limited Warranty

MOUNTING OPTIONS



Quotations: quotes@jademar.com
To place an order: orders@jademar.com
Tel: (305) 640.0465 | Fax: (305) 640.0468
WWW.JADEMAR.COM



Information contained herein is subject to change without notice.
Revised 11/2025

PROJECT NAME:	
MODEL NUMBER:	
DATE:	

JPHBS SERIES PREMIUM QUALITY ROUND HIGH BAY LUMINAIRE WITH CCT/POWER SELECTABLE OPTIONS
ORDERING INFORMATION / EXAMPLE: JPHBS-PS-150W-HE-40K-90-BMWO-120D-BK-MJBOX-1/2

Product Series	Wattage	Lumen Efficacy	Input Voltage	CCT	Dimming	CRI	
JPHBS-CPS	150W	Selectable (150W/120W/100W)	Blank	120-277VAC	Blank	Selectable CCT (4000K/5000K) Static CCT Options 2700K/3000K*	
	240W	Selectable (240W/200W/180W)	HE	150 lm/W			
	310W	Selectable (310W/270W/240W)	H	170 lm/W			
			* For Static 150W, 240W & 310W only				
JPHBS-PS	150W	Selectable (150W/120W/100W)	Blank	120-277VAC	Blank	Selectable CCT (4000K/5000K) Static CCT Options 2700K/3000K*	
	240W	Selectable (240W/200W/180W)	HE	150 lm/W			
	310W	Selectable (310W/270W/240W)	H	170 lm/W			
JPHBS	100W	Static 100W		27K	Blank	0-10V Dimming 1PD 1% Dimming driver option	
	120W	Static 120W		30K			
	150W	Static 150W		35K			
	200W	Static 200W		40K			
	240W	Static 240W		50K			
	310W	Static 310W		5000K (Standard)			
						Blank	80 CRI (Standard) 90 CRI (Optional)

*Special order features may cost more and may come extend lead times.

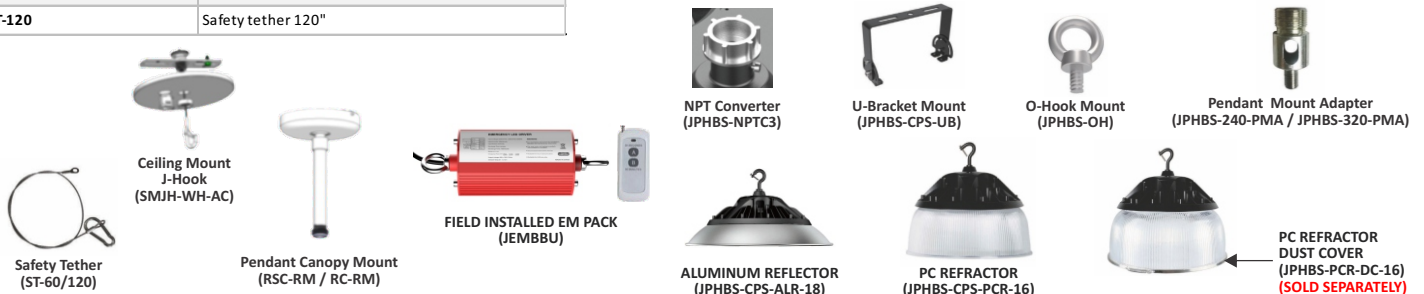
Controls		Optics		Finish		Other Options	
BPIR	Factory setting for this sensor options is: 50% dim, 20 minutes delay then off. For different factory settings, description must be noted on the order (Bi-Level PIR motion sensor with on/off option)	100D	100° Angle (Standard-ready to ship)	BK	Black Finish (Standard)	Blank	Not BAA/BABAA
BMWO	Factory setting for this sensor options is: 50% dim, 20 minutes delay then off. For different factory settings, description must be noted on the order	120D	120° Angle (Optional)	WH	White Finish	NP3	3-Pin 277VAC Nema power plug
BMWO-DH	Factory setting for this sensor options is: 50% dim, 20 minutes delay then off. For different factory settings, description must be noted on the order (Daylight harvesting)	60D	60° Angle (Optional)	CC	Custom Color *	QD3W	Quick disconnect 3 wire
SR-BOS-HBS-Z10	Silvair fixture mount PIR Z10 high bay sensor			*Special Order: Replace the CC with RAL Color Code		JBOX-IP68	IP68 Rated J-box 600W, 600V rated, 100-480V, line voltage
SR-NLC-FC-Z10	Silvair Z10 fixture controller			MJBOX-1/2	1/2" Junction box	MJBOX-3/4	3/4" Junction box
CB-BOS-HBS-Z10	Casambi fixture mount PIR Z10 high bay sensor			BAA	Buy American Act *	PWC-x-yy	Additional Power Cord Length, 120-480V * "x" for the desired length and "yy" for cord color
CB-NLC-FC-Z10	Casambi Z10 fixture controller			DC-x-yy	Dimming Cable *	NP-x-yy	Twist Lock Nema Plug *
BN-BOS-HBS-Z10	Bubblynet fixture mount PIR Z10 high bay sensor					* Selected SKU's Only	
BN-NLC-FC-Z10	Bubblynet Z10 fixture controller						

FIELD INSTALLED OPTIONS

JPHBS-Z10-RAD-WH	Z10 Zhaga receptacle adaptor white
JPHBS-CPS-ALR-18-100-150W	18" Aluminum reflector for 100W-150W model
JPHBS-CPS-ALR-18-200-310W	18" Aluminum reflector for 200W-310W model
JPHBS-CPS-PCR-16-100-150W	16" PC Refractor for 100-150W model
JPHBS-CPS-PCR-16-200-310W	16" PC Refractor for 200-310W model
JPHBS-PCR-DC-16-100-150W	16" PC dust cover 100-150W model
JPHBS-PCR-DC-16-200-310W	16" PC dust cover 200-310W model
JPHBS-CPS-UB-150W	100W-150W U Bracket (Standard is Black)
JPHBS-CPS-UB-250W	200W-240W U Bracket (Standard is Black)
JPHBS-CPS-UB-310W	310W U Bracket (Standard is Black)
ST-60	Safety tether 60"
ST-120	Safety tether 120"

SWIVEL MOUNTING OPTIONS	
RSC-RM-34-18P-WH	Round 42° Swivel Canopy Set 3/4" with 18"Stem 1/2"IPS White
RSC-RM-12-18P-WH	Round 42° Swivel Canopy Set 1/2" with 18"Stem 1/2"IPS White
RC-RM-34-18P-WH	Round 42° Canopy Set - NO Swivel 3/4" with 18"Stem 1/2"IPS White
RC-RM-12-18P-WH	Round 42° Canopy Set - NO Swivel 1/2" with 18"Stem 1/2"IPS White

JEMBBU-RC	Hand Held Remote Control For Testing EM Pack
JPHBS-NPTC3/4-1/2	NPT Converter/Reducer from 3/4" to 1/2"
JPHBS-NPTC3/8-3/4	NPT Converter/Reducer from 3/8" to 3/4"
JPHBS-OH	O-Hook Mount Option 100W-310W
JPHBS-240-PMA-3/4	Pendant mount adaptor - For 150 - 240W
JPHBS-320-PMA-1/2	Pendant mount adaptor - For 320W
JEMBBU-25W	External Field Installed Li-ion EM pack 25W with Remote Control Option (For 100W-150W)
JEMBBU-40W	External Field Installed Li-ion EM pack 40W with Remote Test Control Option (For 200W-310W)
SMJH-WH-AC-10	Ceiling mount J-hook with aircraft cable 1/16" or 3/32". 10' Cable Length.
SMJH-WH-AC-20	Ceiling mount J-hook with aircraft cable 1/16" or 3/32". 20' Cable Length.
BMWO-RC	Bi-Level Microwave Occupancy/Motion Sensor Remote Control



Quotations: quotes@jademar.com
 To place an order: orders@jademar.com
 Tel: (305) 640.0465 | Fax: (305) 640.0468

WWW.JADEMAR.COM

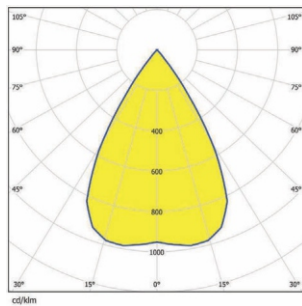


Information contained herein is subject to change without notice.
 Revised 11/2025

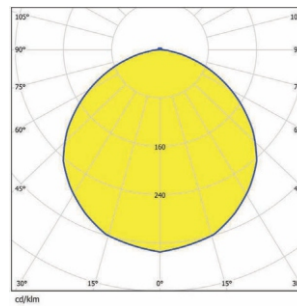
LUMEN PERFORMANCE AND ELECTRICAL DATA

Model Number	JPHBS-CPS-150W			JPHBS-CPS-240W			JPHBS-CPS-310W											
Wattage	150W	120W	100W	240W	200W	180W	310W	270W	240W									
Lumen Output	23,100	18,500	15,400	36,300	30,200	27,180	47,000	41,310	36,720									
Efficacy (AC)	154	154	154	151	151	151	153	153	153									
Input Voltage	120-277V			120-277V			120-277V											
Color Temperature (CCT)	Selectable 4000K/5000K			Selectable 4000K/5000K			Selectable 4000K/5000K											
Model Number	JPHBS-PS-150W			JPHBS-PS-150W-HE			JPHBS-PS-240W			JPHBS-PS-240W-HE			JPHBS-PS-310W			JPHBS-PS-310W-HE		
Wattage	150W	120W	100W	150W	120W	100W	240W	200W	180W	240W	200W	180W	310W	270W	240W	310W	270W	240W
Lumen Output	23,100	18,500	15,400	26,000	20,760	17,300	36,300	30,200	27,180	41,300	34,400	30,960	47,000	41,310	36,720	53,800	46,980	41,760
Efficacy (AC)	154	154	154	173	173	173	151	151	151	172	172	172	153	153	153	174	174	174
Input Voltage	120-277V			120-277V			120-277V			120-277V			120-277V			120-277V		
Color Temperature (CCT)	Static: 2700K/3000K/3500K/4000K/5000K																	
Model Number	JPHBS-100W			JPHBS-120W			JPHBS-150W											
Wattage	100W			120W			150W											
Lumen Output	15,300			18,500			22,500											
Efficacy (AC)	153			154			150											
Input Voltage	120-277V or 277-480V			120-277V or 277-480V			120-277V or 277-480V											
Color Temperature (CCT)	Static: 3000K/3500K/4000K/5000K																	
Model Number	JPHBS-200W			JPHBS-240W			JPHBS-310W											
Wattage	200W			240W			310W											
Lumen Output	31,000			36,200			47,000											
Efficacy (AC)	155			151			152											
Input Voltage	120-277V or 277-480V			120-277V or 277-480V			120-277V or 277-480V											
Color Temperature (CCT)	Static: 2700K/3000K/3500K/4000K/5000K																	
THD	<15%																	
Power Factor	>0.9																	
CRI	80CRI Standard / 90CRI Optional																	
Optics Options	100° Standard / 120° & 60° Optional																	
Ingress Protection Rating	IP66 & IP69K																	
Certifications & Compliance	IK10 and UL Listed																	
Dimming / Control Options	Continuous Dimming to 10% or below / Integral Controls: LLLC / Occupancy and Daylight Sensing / Silvoir, Casambi, Bubblynet Bluetooth Lighting Control Systems																	
L70 Lifespan (TM21 Calculated)	L70 @ 174,000Hrs. / L80 @ 129,000Hrs. / L90 @ 81,000Hrs.																	
Housing Material	Aluminium Alloy																	
Ambient Working Temp	-22°F to 136°F (-30°C to 58°C) Ambient																	
Limited Warranty	10 yrs																	

PHOTOMETRY



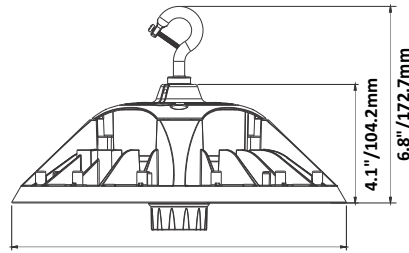
BEAM ANGLE: 60°



BEAM ANGLE: 120°

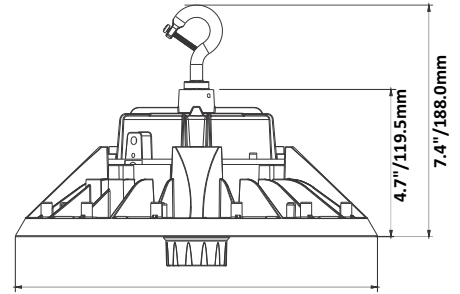


PRODUCT DIMENSIONS



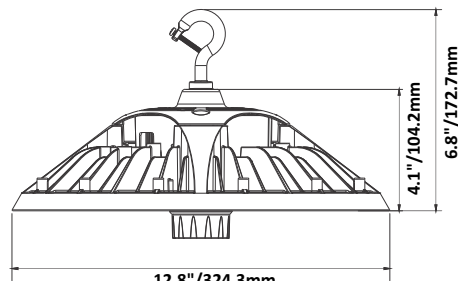
11.6" / 294.3mm

100W/120W/150W
120-277/347



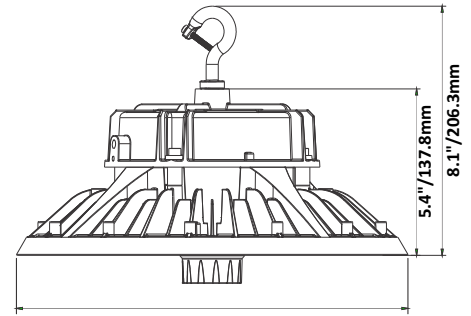
11.6" / 294.3mm

100W/120W/150W
277-480V



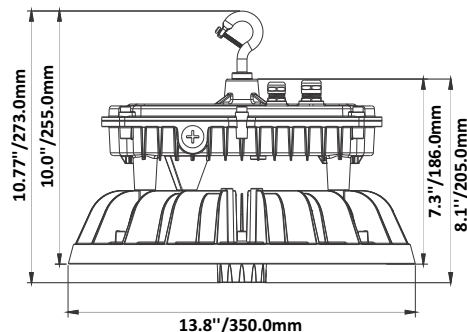
12.8" / 324.3mm

200W/240W
120-277/347



12.8" / 324.3mm

200W/240W
277-480V



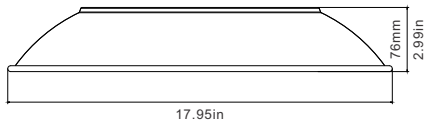
13.8" / 350.0mm

310W
120-277/347, 277-480V

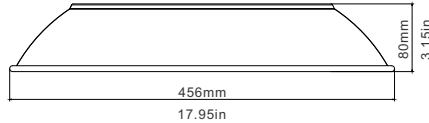


ALUMINUM REFLECTOR AND POLYCARBONATE REFRACTOR DIMENSIONS

ALUMINUM REFLECTOR



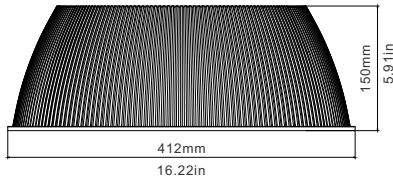
100W, 120W, 150W (150/120/100)W



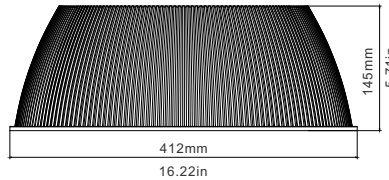
310W, (310/270/240)W



POLYCARBONATE REFRACTOR



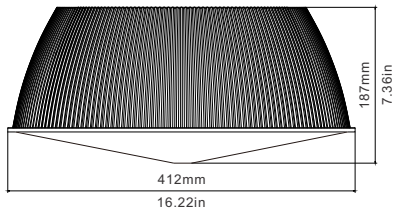
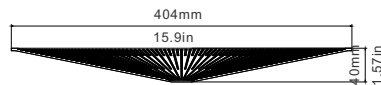
100W, 120W, 150W (150/120/100)W



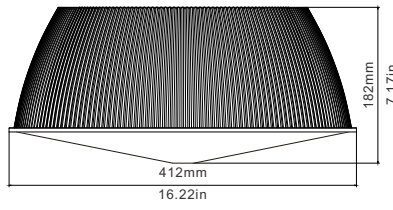
200W, 240W (240/200/180)W
310W, (310/270/240)W



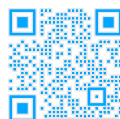
DUST COVER LENS FOR POLYCARBONATE REFRACTOR



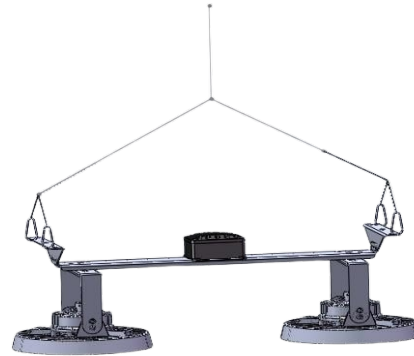
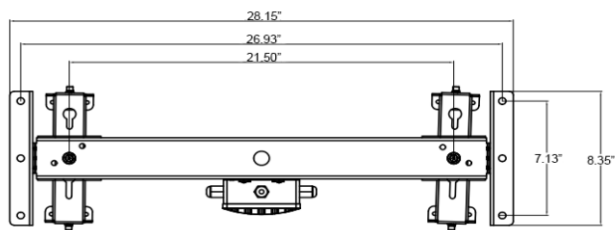
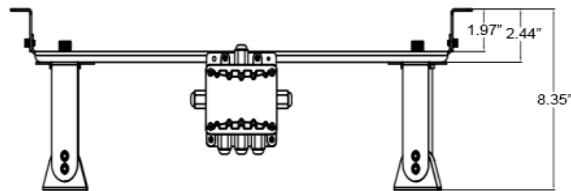
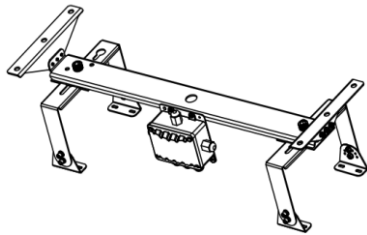
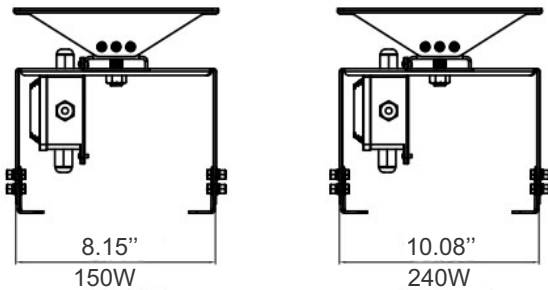
100W, 120W, 150W (150/120/100)W



200W, 240W (240/200/180)W



DIMENSIONS



JTM-13072

UFO High Bay Dual Hanger Bracket

STANDARD FEATURES

Construction and Materials

- Metal Plate
- White, Black or Customized Housing Colors

Electrical System

- Psuitable for select 100W to 240W UFO High Bays

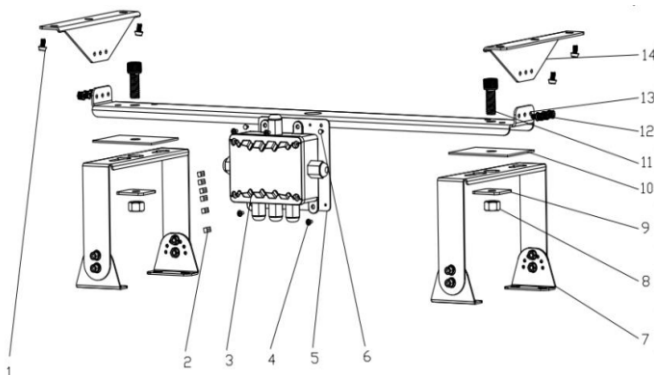
Dimensions

- 28.15" x 8.35" x 8.35" (715mm x 212mm x 12mm)

Included Accessories

- 6pcs M5*16mm screws to install the bracket to fixture
- 2pcs M12*30mm screws to install bracket to fixture
- 2pcs M12*10 nuts to install bracket to fixture
- 2pcs KM3*6mm screws to install the bracket to fixture
- 4pcs PWM3*8mm screws to install the bracket to fixture
- 4pcs M8*60mm screws to install bracket to the wall

SCREW INSTALLATIONS



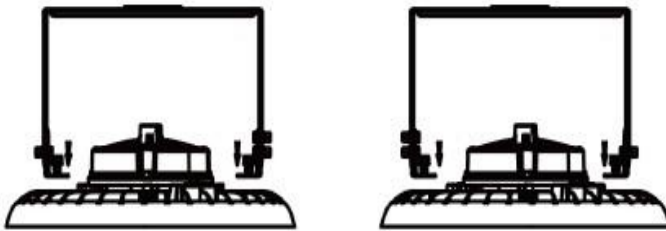
- 1: M8*60mm screws to install the bracket to fixture
- 4: PWM3*8mm screws to install bracket to fixture
- 6: KM3*6mm screws to install bracket to fixture
- 8: M12*10 nuts to install bracket to fixture
- 11: M12*30mm screws to install bracket to fixture
- 12: M5*16mm screws to install bracket to fixture



WARNING, CAUTION, SAFETY AND INSTALLATION INSTRUCTIONS

- Installation, service and maintenance of luminaires should be performed by a qualified licensed electrician.

Step 1: Use 4 M5*16 hex screws to lock the U-bracket on the UFO fixture. (Figure 1)

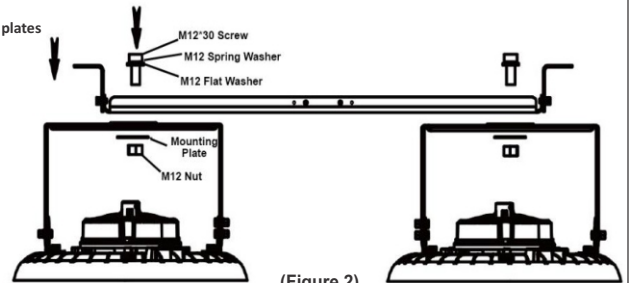


(Figure 1)

Step 2: Attach the UFO with the U-bracket to the connecting rod using 2 M12*30MM screw assemblies. (Figure 2)

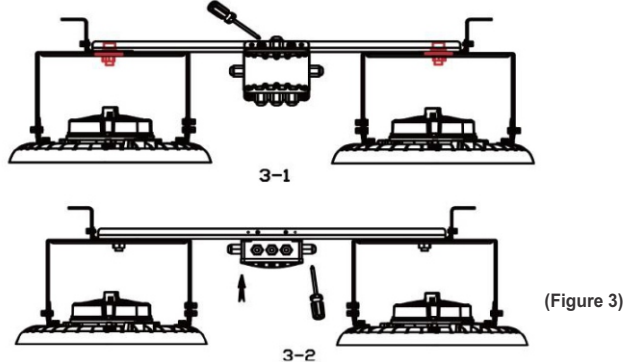
M12*33mm screw assembly consist of:

- 2 M12*30 screws
- 2 M12 spring washers
- 2 M12 flat washers
- 2 M12 nuts
- 2 mounting plates



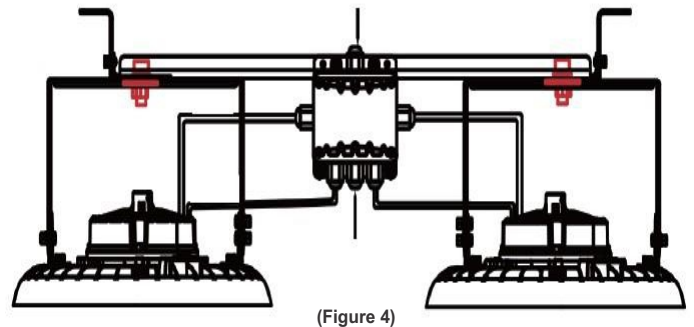
(Figure 2)

Step 3: Use 2 KM3*6MM screw to lock the junction box on the side (as shown in figure 3-1) or the bottom (as shown in Figure 3-2) of the mounting bar. (Figure 3)



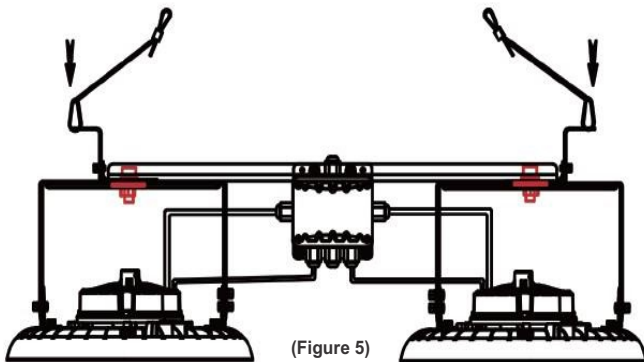
(Figure 3)

Step 4: Connect the AC line of the lamp power supply with the wiring terminal of the light module and put it into the junction box. (Figure 4)



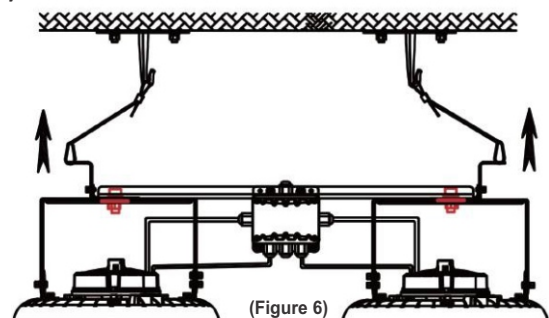
(Figure 4)

Step 5: Insert each cable clip into the holes on the mounting plates at both ends of the support. (Figure 5)



(Figure 5)

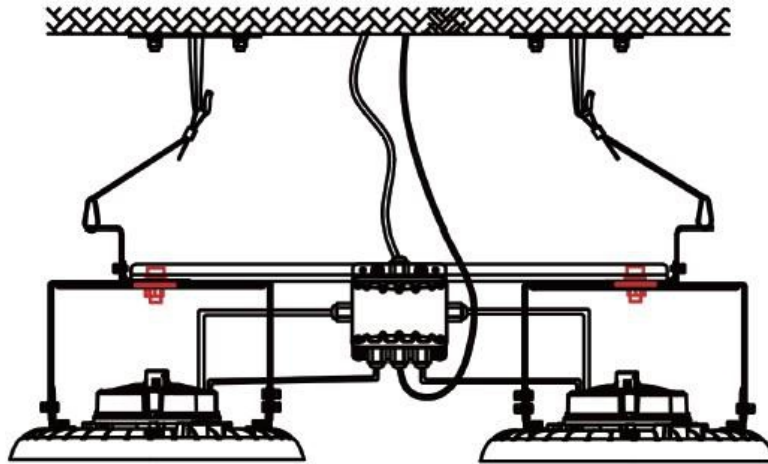
Step 6: Hang the cables on the ceiling hooks then adjust the dual hanger mount by pressing the cylinder on the cable gripper. Push or pull the cable until the hanger is properly balanced. (Figure 6)



(Figure 6)



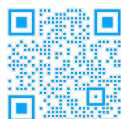
Step 7: Hang the cables on the ceiling hooks then adjust the dual hanger mount by pressing the cylinder on the cable gripper. Push or pull the cable until the hanger is properly balanced. (Figure 7)



(Figure 7)

⚠ WARNING

- Before installing, servicing, or performing routine maintenance upon this equipment, follow these general precautions.
- To reduce the risk of death, personal injury, or property damage from fire, electric shock, falling parts, cuts/abrasions, and other hazards, read all warnings and instructions included with and on the fixture box and all fixture labels.
- Proper grounding is required to ensure safety.
- Power must be turned off at the breaker before installation or maintenance.
- This product must be installed in accordance with the applicable installation code by a person familiar with the construction and operation of the product and the hazards involved.
- Wear gloves and eye protection at all times while installing, servicing, or performing maintenance on the luminaire, and avoid direct eye exposure to the light source while it is on.
- To prevent wiring damage or abrasion, do not expose wiring to edges of sheet metal or other sharp objects.
- Do not install damaged product. Inspect luminaire for damage that may have occurred during transit. If damaged, contact the manufacturer immediately.
- These instructions do not purport to cover all details or variations in equipment nor to provide every possible contingency to meet in connection with installation, operation, or maintenance. Should further information be desired or should particular problems arise which are not covered sufficiently for the purchaser's or owner's purposes, contact the manufacturer.





DLC QUALIFIED PRODUCTS

Product ID	Manufacturer	Brand	Model Number	Integral Control Capability
S-N62DD5	Jademar Corporation	JADEMAR LIGHTING	JPHBS-PS-150W-40K-[BPIR;BMW0;CB-NLC;SR-NLC]-[120D;60D]-[BLANK;90]-[BK;CC]	LLLC
S-LLHXK1	Jademar Corporation	JADEMAR LIGHTING	JPHBS-PS-150W-50K-[BPIR;BMW0;CB-NLC;SR-NLC]-[120D;60D]-[BK;CC]	LLLC
S-LHPJCQ	Jademar Corporation	JADEMAR LIGHTING	JPHBS-PS-150W-HE-40K-[BPIR;BMW0;CB-NLC;SR-NLC]-[120D;60D]-[BK;CC]	LLLC
S-RLS3Z8	Jademar Corporation	JADEMAR LIGHTING	JPHBS-PS-150W-HE-50K-[BPIR;BMW0;CB-NLC;SR-NLC]-[120D;60D]-[BK;CC]	LLLC
S-HDMXV7	Jademar Corporation	JADEMAR LIGHTING	JPHBS-PS-240W-40K-[BPIR;BMW0;CB-NLC;SR-NLC]-[120D;60D]-[BK;CC]	LLLC
S-HPSDKV	Jademar Corporation	JADEMAR LIGHTING	JPHBS-PS-240W-50K-[BPIR;BMW0;CB-NLC;SR-NLC]-[120D;60D]-[BK;CC]	LLLC
S-MC5288	Jademar Corporation	JADEMAR LIGHTING	JPHBS-PS-240W-HE-40K-[BPIR;BMW0;CB-NLC;SR-NLC]-[120D;60D]-[BK;CC]	LLLC
S-45VX3G	Jademar Corporation	JADEMAR LIGHTING	JPHBS-PS-240W-HE-50K-[BPIR;BMW0;CB-NLC;SR-NLC]-[120D;60D]-[BK;CC]	LLLC
S-N5FV5V	Jademar Corporation	JADEMAR LIGHTING	JPHBS-PS-310W-40K-[BPIR;BMW0;CB-NLC;SR-NLC]-[120D;60D]-[BK;CC]	LLLC
S-CB56H6	Jademar Corporation	JADEMAR LIGHTING	JPHBS-PS-310W-50K-[BPIR;BMW0;CB-NLC;SR-NLC]-[120D;60D]-[BK;CC]	LLLC
S-LL29TW	Jademar Corporation	JADEMAR LIGHTING	JPHBS-PS-310W-HE-40K-[BPIR;BMW0;CB-NLC;SR-NLC]-[120D;60D]-[BK;CC]	LLLC
S-BDKNFS	Jademar Corporation	JADEMAR LIGHTING	JPHBS-PS-310W-HE-50K-[BPIR;BMW0;CB-NLC;SR-NLC]-[120D;60D]-[BK;CC]	LLLC
S-PMPJ6G	Jademar Corporation	JADEMAR LIGHTING	JPHBS-100W-40K-[BLANK;H]-[BPIR;BMW0;CB-NLC;SR-NLC]-[120D;60D]-[BK;CC]	LLLC
S-0RJ66Q	Jademar Corporation	JADEMAR LIGHTING	JPHBS-100W-50K-[BLANK;H]-[BPIR;BMW0;CB-NLC;SR-NLC]-[120D;60D]-[BK;CC]	LLLC
S-MKN39Z	Jademar Corporation	JADEMAR LIGHTING	JPHBS-100W-HE-40K-[BLANK;H]-[BPIR;BMW0;CB-NLC;SR-NLC]-[120D;60D]-[BK;CC]	LLLC
S-GDSMG5	Jademar Corporation	JADEMAR LIGHTING	JPHBS-100W-HE-50K-[BLANK;H]-[BPIR;BMW0;CB-NLC;SR-NLC]-[120D;60D]-[BK;CC]	LLLC
S-XH71DM	Jademar Corporation	JADEMAR LIGHTING	JPHBS-120W-40K-[BLANK;H]-[BPIR;BMW0;CB-NLC;SR-NLC]-[120D;60D]-[BK;CC]	LLLC
S-VFNHF1	Jademar Corporation	JADEMAR LIGHTING	JPHBS-120W-50K-[BLANK;H]-[BPIR;BMW0;CB-NLC;SR-NLC]-[120D;60D]-[BK;CC]	LLLC
S-05JV6J	Jademar Corporation	JADEMAR LIGHTING	JPHBS-120W-HE-40K-[BLANK;H]-[BPIR;BMW0;CB-NLC;SR-NLC]-[120D;60D]-[BK;CC]	LLLC
S-0GJSD8	Jademar Corporation	JADEMAR LIGHTING	JPHBS-120W-HE-50K-[BLANK;H]-[BPIR;BMW0;CB-NLC;SR-NLC]-[120D;60D]-[BK;CC]	LLLC
S-TNGKSQ	Jademar Corporation	JADEMAR LIGHTING	JPHBS-150W-40K-[BLANK;H]-[BPIR;BMW0;CB-NLC;SR-NLC]-[120D;60D]-[BK;CC]	LLLC
S-CRX51V	Jademar Corporation	JADEMAR LIGHTING	JPHBS-150W-50K-[BLANK;H]-[BPIR;BMW0;CB-NLC;SR-NLC]-[120D;60D]-[BK;CC]	LLLC
S-171D2H	Jademar Corporation	JADEMAR LIGHTING	JPHBS-150W-HE-40K-[BLANK;H]-[BPIR;BMW0;CB-NLC;SR-NLC]-[120D;60D]-[BK;CC]	LLLC
S-86GYCX	Jademar Corporation	JADEMAR LIGHTING	JPHBS-150W-HE-50K-[BLANK;H]-[BPIR;BMW0;CB-NLC;SR-NLC]-[120D;60D]-[BK;CC]	LLLC
S-DQMCD8	Jademar Corporation	JADEMAR LIGHTING	JPHBS-200W-40K-[BLANK;H]-[BPIR;BMW0;CB-NLC;SR-NLC]-[120D;60D]-[BK;CC]	LLLC
S-J05YRD	Jademar Corporation	JADEMAR LIGHTING	JPHBS-200W-50K-[BLANK;H]-[BPIR;BMW0;CB-NLC;SR-NLC]-[120D;60D]-[BK;CC]	LLLC
S-QG0Q18	Jademar Corporation	JADEMAR LIGHTING	JPHBS-200W-HE-40K-[BLANK;H]-[BPIR;BMW0;CB-NLC;SR-NLC]-[120D;60D]-[BK;CC]	LLLC
S-WG23S2	Jademar Corporation	JADEMAR LIGHTING	JPHBS-200W-HE-50K-[BLANK;H]-[BPIR;BMW0;CB-NLC;SR-NLC]-[120D;60D]-[BK;CC]	LLLC
S-RCFNRR	Jademar Corporation	JADEMAR LIGHTING	JPHBS-240W-40K-[BLANK;H]-[BPIR;BMW0;CB-NLC;SR-NLC]-[120D;60D]-[BK;CC]	LLLC
S-98W12R	Jademar Corporation	JADEMAR LIGHTING	JPHBS-240W-50K-[BLANK;H]-[BPIR;BMW0;CB-NLC;SR-NLC]-[120D;60D]-[BK;CC]	LLLC
S-V6VTMG	Jademar Corporation	JADEMAR LIGHTING	JPHBS-240W-HE-40K-[BLANK;H]-[BPIR;BMW0;CB-NLC;SR-NLC]-[120D;60D]-[BK;CC]	LLLC
S-SLLH7M	Jademar Corporation	JADEMAR LIGHTING	JPHBS-240W-HE-50K-[BLANK;H]-[BPIR;BMW0;CB-NLC;SR-NLC]-[120D;60D]-[BK;CC]	LLLC
S-CXGV77	Jademar Corporation	JADEMAR LIGHTING	JPHBS-310W-40K-[BLANK;H]-[BPIR;BMW0;CB-NLC;SR-NLC]-[120D;60D]-[BK;CC]	LLLC
S-GW9R6K	Jademar Corporation	JADEMAR LIGHTING	JPHBS-310W-50K-[BLANK;H]-[BPIR;BMW0;CB-NLC;SR-NLC]-[120D;60D]-[BK;CC]	LLLC
S-0BZY5J	Jademar Corporation	JADEMAR LIGHTING	JPHBS-310W-HE-40K-[BLANK;H]-[BPIR;BMW0;CB-NLC;SR-NLC]-[120D;60D]-[BK;CC]	LLLC
S-4RB74V	Jademar Corporation	JADEMAR LIGHTING	JPHBS-310W-HE-50K-[BLANK;H]-[BPIR;BMW0;CB-NLC;SR-NLC]-[120D;60D]-[BK;CC]	LLLC

