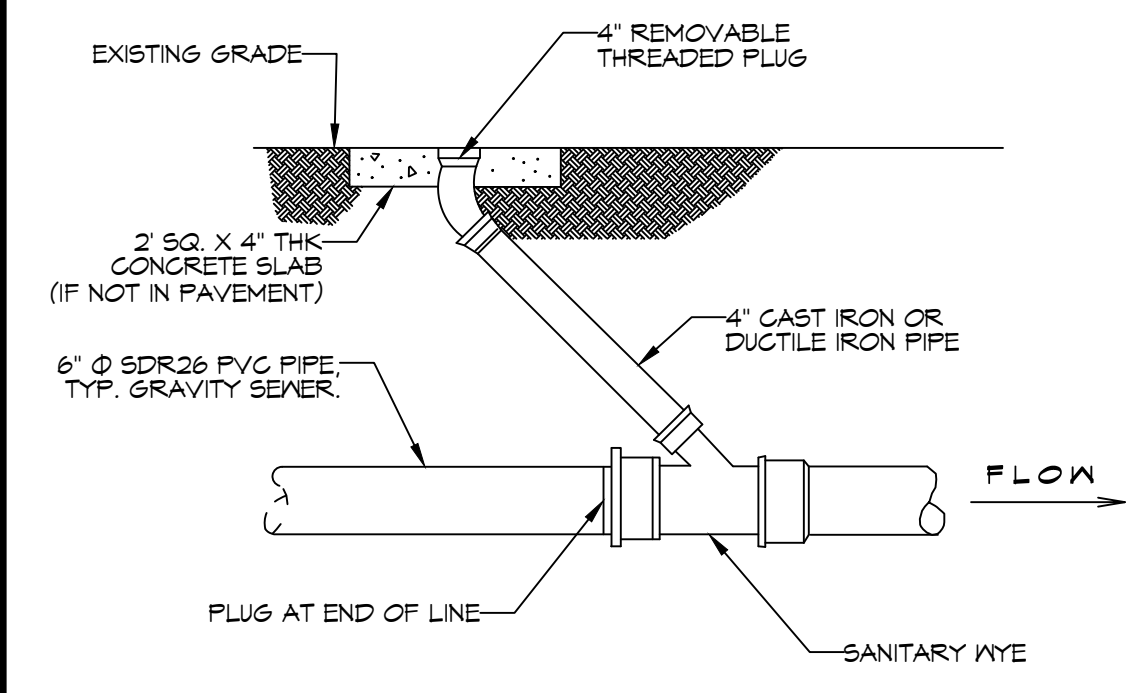
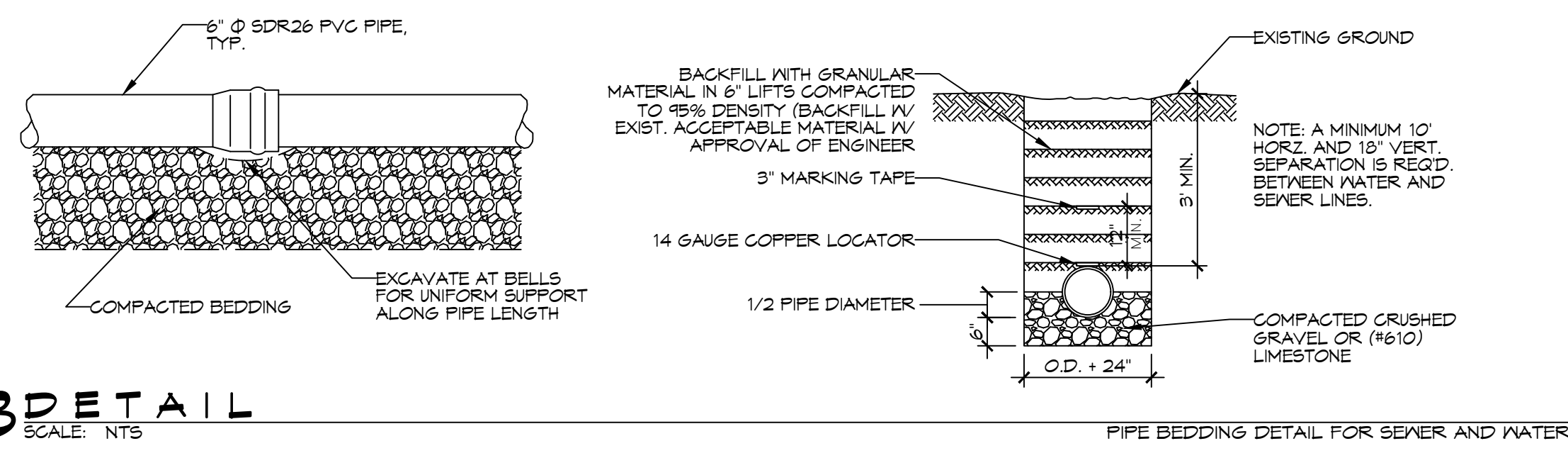


THE ABOVE DRAWING IS THE PROPERTY OF DAMMON ENGINEERING & MISSISSIPPI. IT IS TO BE USED ONLY FOR THE PROJECT AND SITE SPECIFICALLY IDENTIFIED HEREON. IT IS NOT TO BE REPRODUCED, COPIED, OR TRANSMITTED IN ANY FORM OR BY ANY MEANS, ELECTRONIC OR MECHANICAL, INCLUDING PHOTOCOPYING, RECORDING, OR BY ANY INFORMATION STORAGE AND RETRIEVAL SYSTEM, WITHOUT THE WRITTEN PERMISSION OF DAMMON ENGINEERING & MISSISSIPPI.

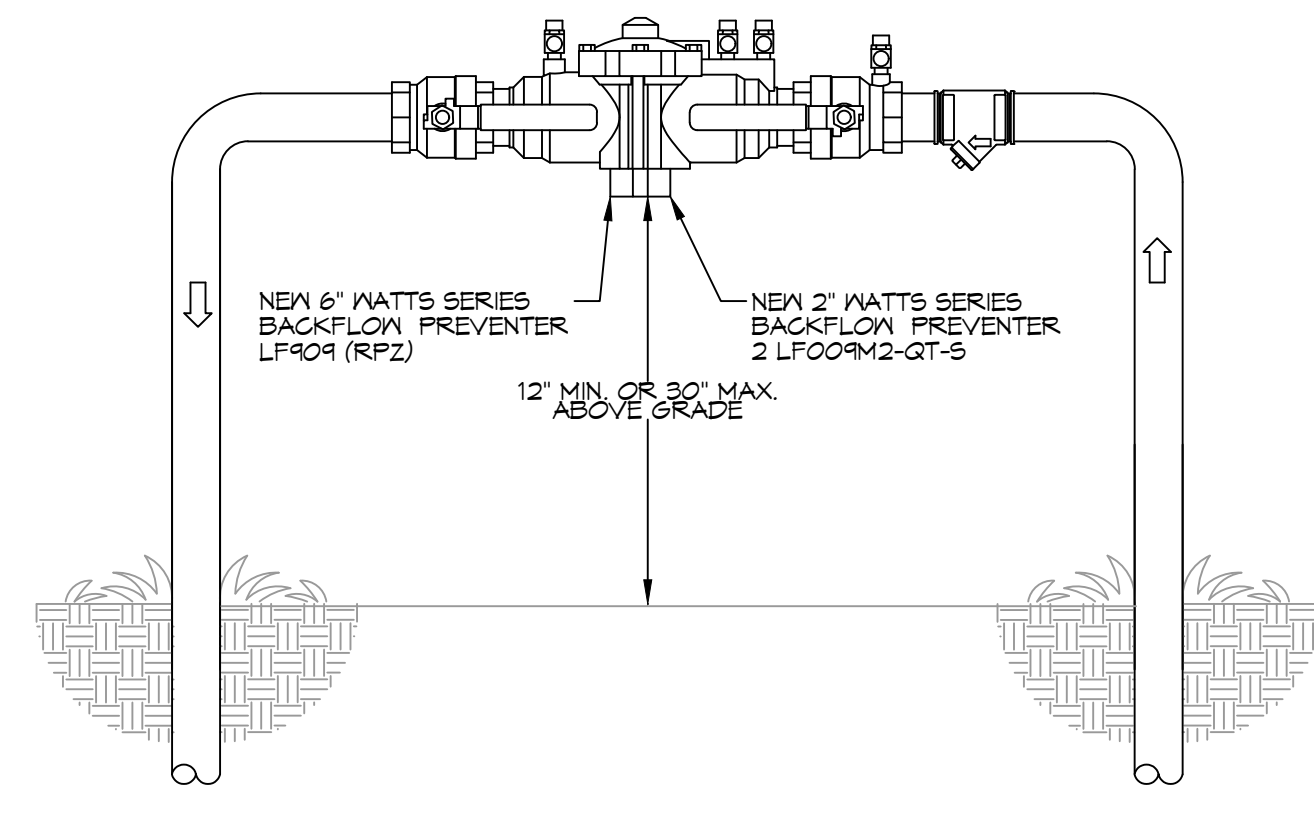
A DETAIL
SCALE: N.T.S.



B DETAIL
SCALE: N.T.S.



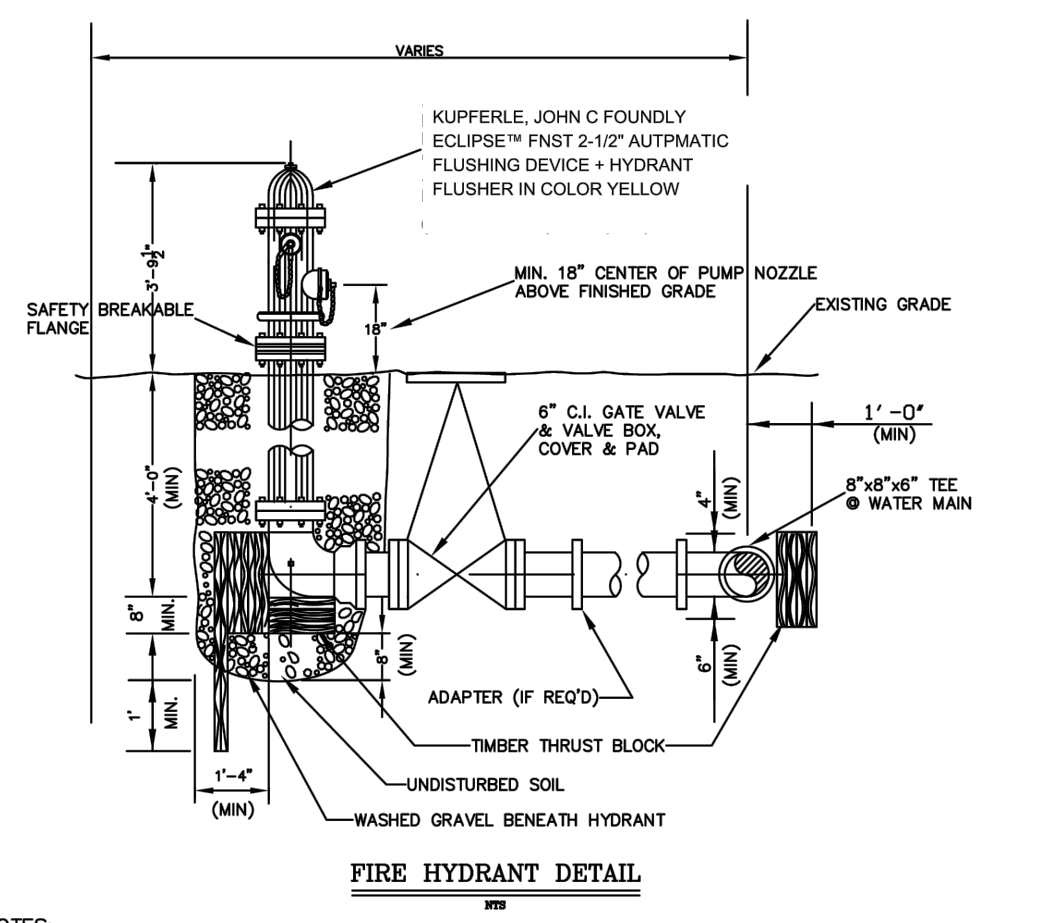
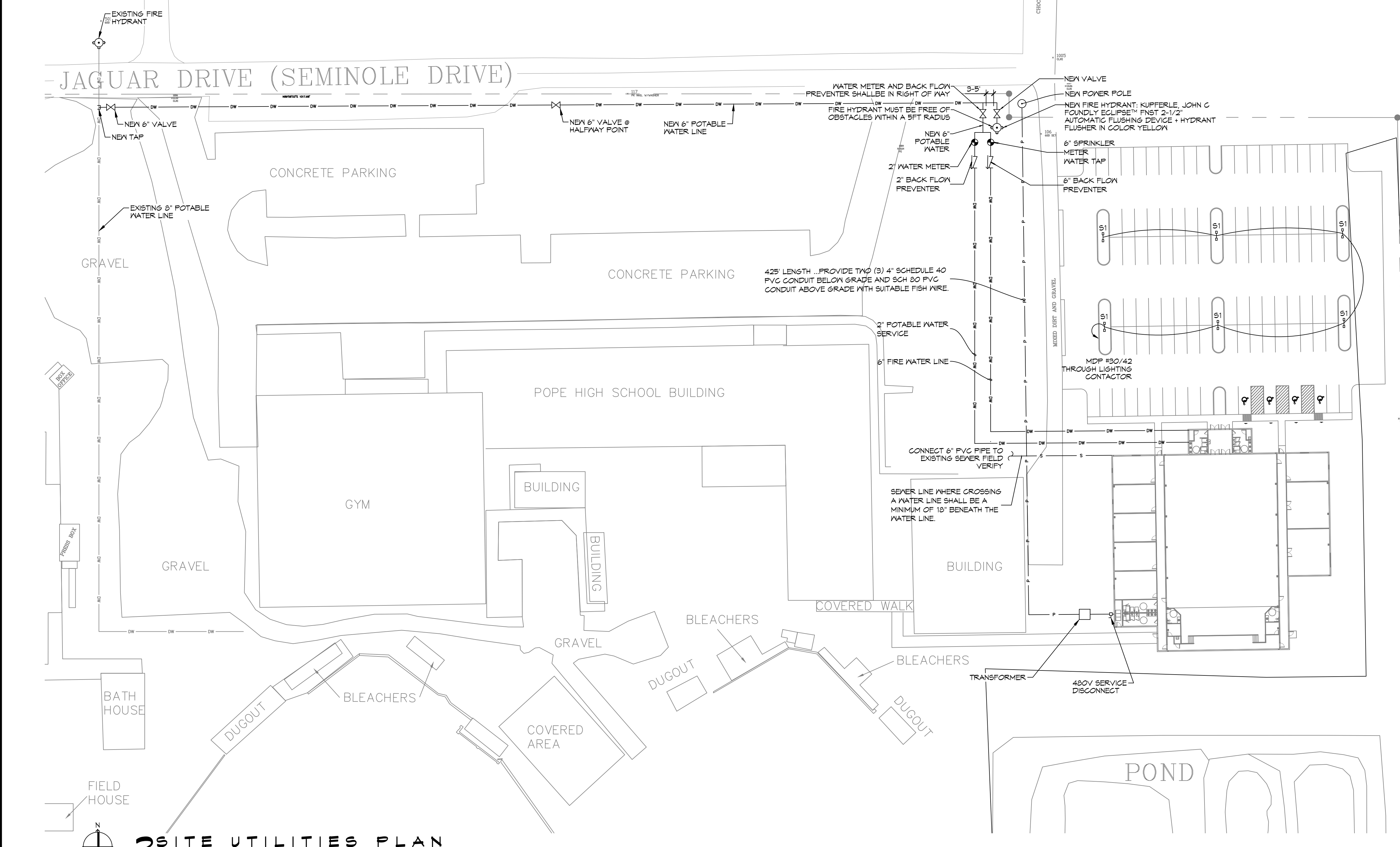
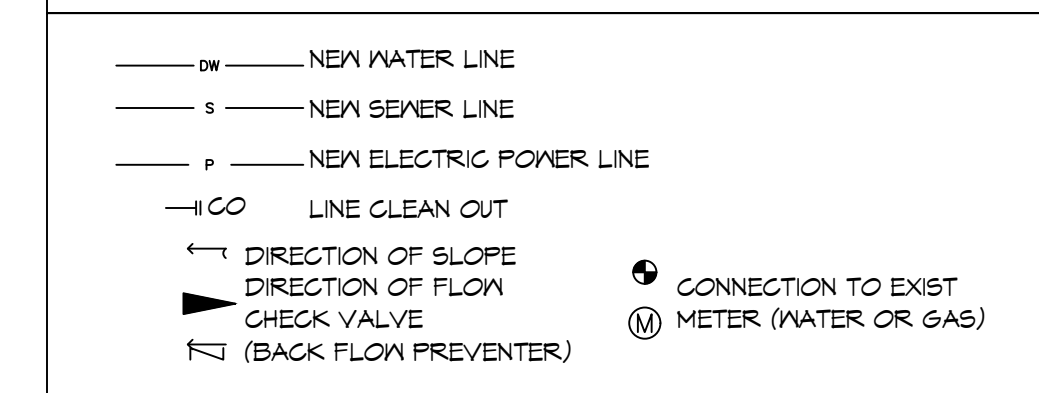
3 TYPICAL RISER DETAIL
SCALE: N.T.S.



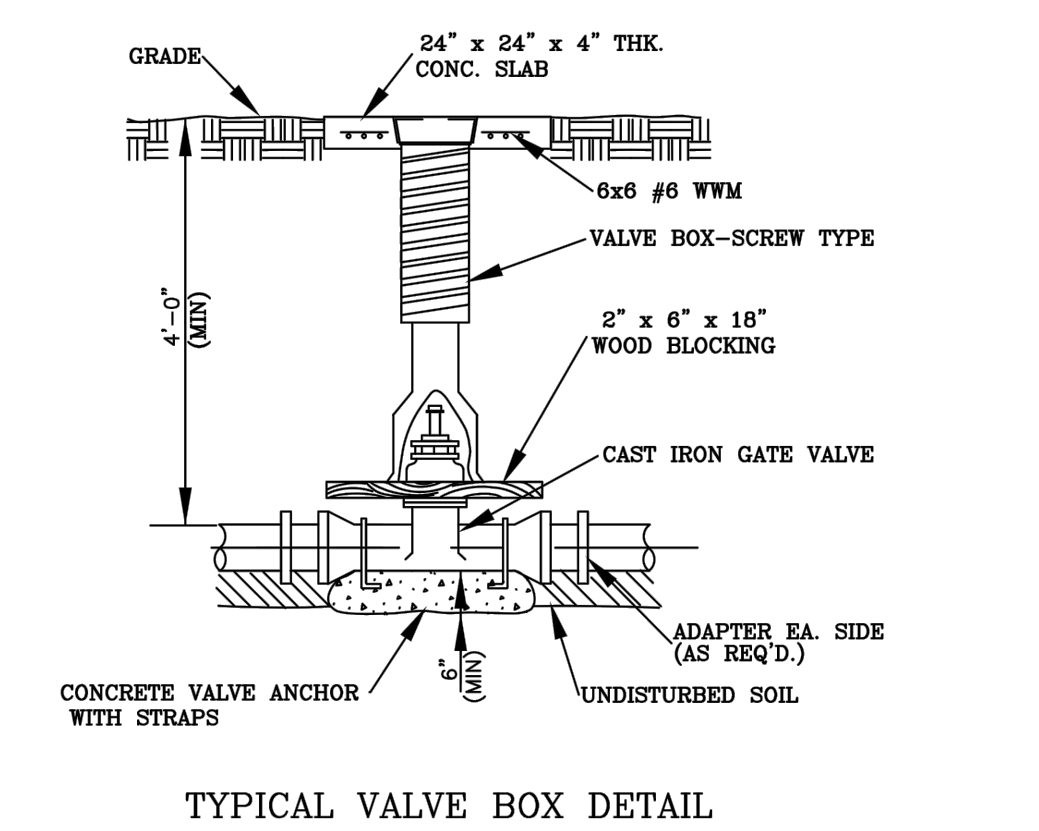
GENERAL SITE UTILITIES NOTES

- ALL CONSTRUCTION SHALL COMPLY WITH CONTRACT SPECIFICATIONS AND APPLICABLE LOCAL, STATE, AND FEDERAL STANDARDS AND REGULATIONS.
- CONSTRUCTION SHALL NOT INTERRUPT EXISTING UTILITIES.
- ALL DISTURBED GROUND SHALL BE RESTORED IN KIND TO A CONDITION EQUAL TO OR BETTER THAN ORIGINALLY FOUND.
- SOIL EROSION CONTROL SHALL BE IN ACCORDANCE WITH THESE DOCUMENTS.
- PROTECT EXISTING UTILITY LINES FROM DAMAGE. FOLLOW INDIVIDUAL UTILITY'S RECOMMENDATIONS FOR UTILITY LINE PROTECTION.
- CONTRACTOR SHALL IMMEDIATELY REPORT ALL DAMAGE TO UTILITY LINES TO BOTH UTILITY COMPANY AND ENGINEER.
- ALL DAMAGE CAUSED TO EXISTING UTILITY LINES BY CONTRACTOR'S OPERATIONS SHALL BE REPAIRED BY THE CONTRACTOR TO COMPLETE SATISFACTION OF THE UTILITY COMPANY AND ENGINEER.
- LOCATION OF EXISTING UTILITIES IS APPROXIMATE. CONTRACTOR SHALL FIELD VERIFY EXACT LOCATIONS.
- CONTRACTOR IS RESPONSIBLE FOR CUT AND GAP OF EXISTING UTILITIES PRIOR TO ANY DEMOLITION.
- CONTRACTOR SHALL CONTACT LOUISIANA ONE CALL PRIOR TO COMMENCEMENT OF SITE EXCAVATION.
- THE CONTRACTOR SHALL CONTACT CITY OF SLIDELL PUBLIC UTILITY DEPARTMENT AT (985) 846-4291 FOR TAPS.
- THE CONTRACTOR SHALL CONTACT HERB GORNOR @ WASHINGTON ST TAMMANY (985) 892-8804 FOR POWER CONNECTION.

SITE UTILITIES LEGEND



- NOTES:
- HYDRANT PAINT SHALL BE FACTORY APPLIED. (FIELD APPLIED PAINT SHALL NOT BE APPROVED)
 - PAINT COLOR SHALL BE:
 - KENNEDY HYDRANTS: KENNEDY SAFETY YELLOW NUMBER 05
 - MUELLER HYDRANTS: SAFETY YELLOW, F330Y955, MA0150, PAINT CODE (M7)
 - GLOW MEDALLION: SAFETY YELLOW
 - AMERICAN DARLING HYDRANTS: DUPONT SAFETY YELLOW 1883E



4 FIRE HYDRANT DETAIL
SCALE: N.T.S.

Luminaire Schedule						LLF	Lum. Lumens
Symbol	Label	Qty	Arrangement	Manufacturer & Part Number			
	S1	6	Back-Back	NLS - NV-1-T5W 32L-7-40K7- HV		0.950	10365

PARKING LOT LIGHTING SCHEDULE
SCALE: N.T.S.

DAMMON ENGINEERING & MISSISSIPPI
 LOUISIANA & MISSISSIPPI
 Chief Engineer: Brian Mistich, PE
 554 Old Spanish Trail
 Slidell, LA 70458
 www.dammonengineering.com
 info@dammonengineering.com
 PH: 985.649.5832 F: 985.641.5950

#	DESCRIPTION	DATE

NEW AUDITORIUM
 POPE JOHN PAUL II
 HIGH SCHOOL

1901 LAGUAR DR
 SLIDELL, LA 70461
 JOB No: 2522 DATE: 01-25-2025
 DRAWN BY: GCS CHECKED BY: BAK

SHEET TITLE:
 SITE UTILITIES PLAN
 DRAWING NUMBER:
C102
 SHEET No: 4 of 17