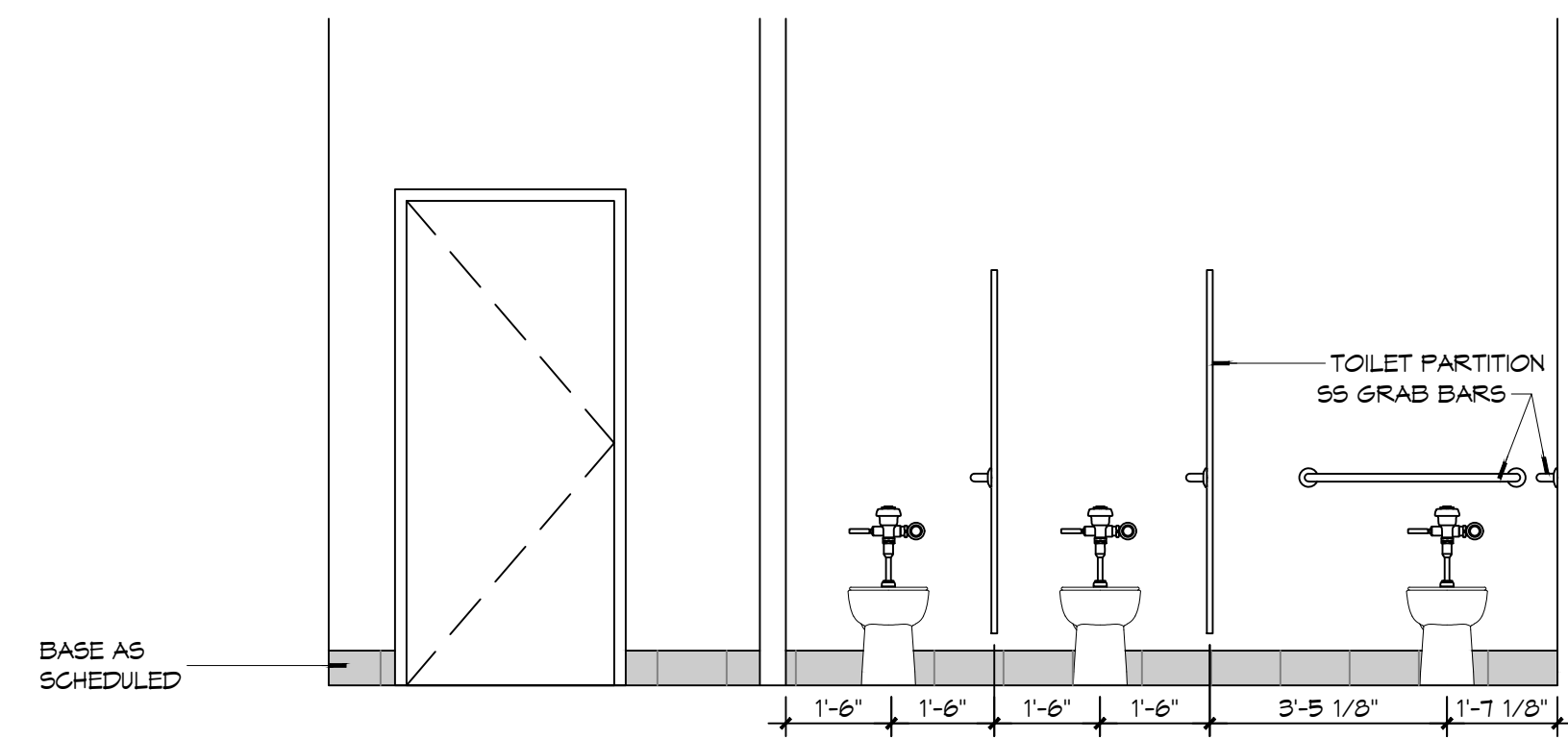
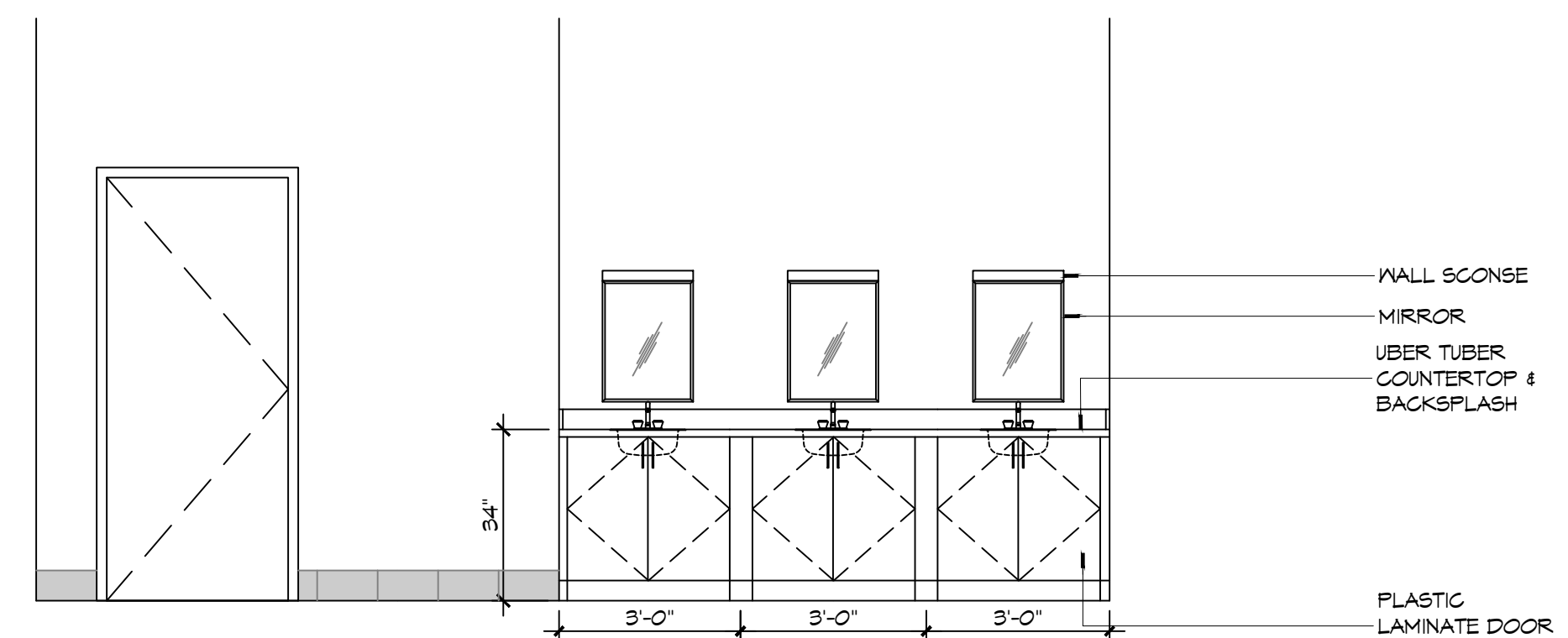


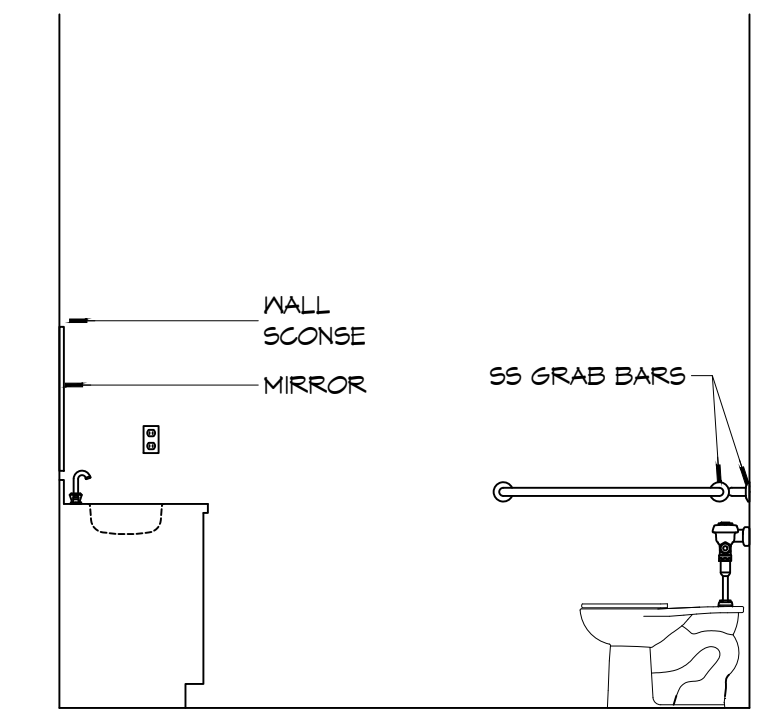
FILE NAME: A:\Projects\14 Interiors\14 Interiors.dwg
 PLOT DATE: 8/11/2022 10:58:39 AM
 PLOT BY: Brian A. Mistich
 PLOT SCALE: 3/8" = 1'-0"



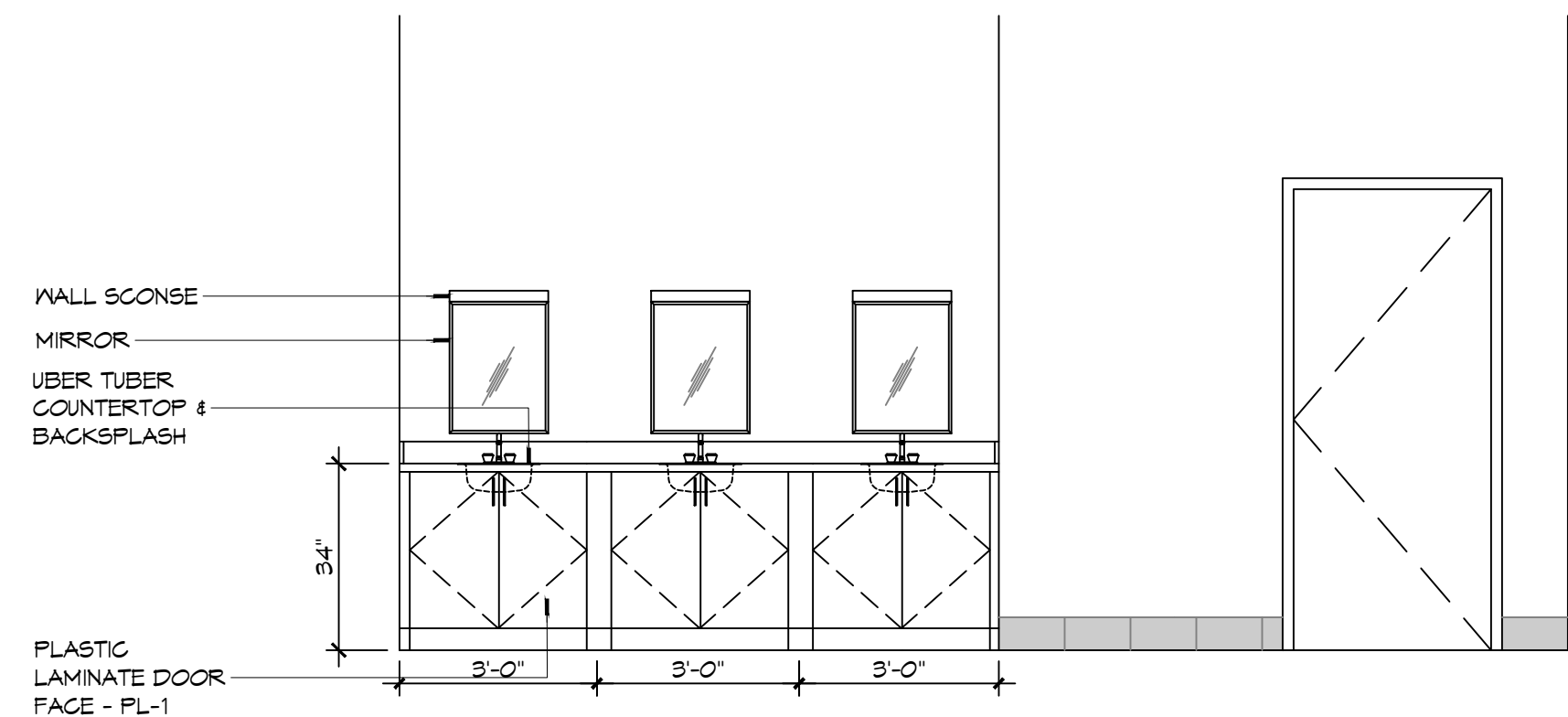
A WOMENS RESTROOM WEST
 A104 | A104 SCALE: 3/8" = 1'-0" WOMENS RESTROOM #1



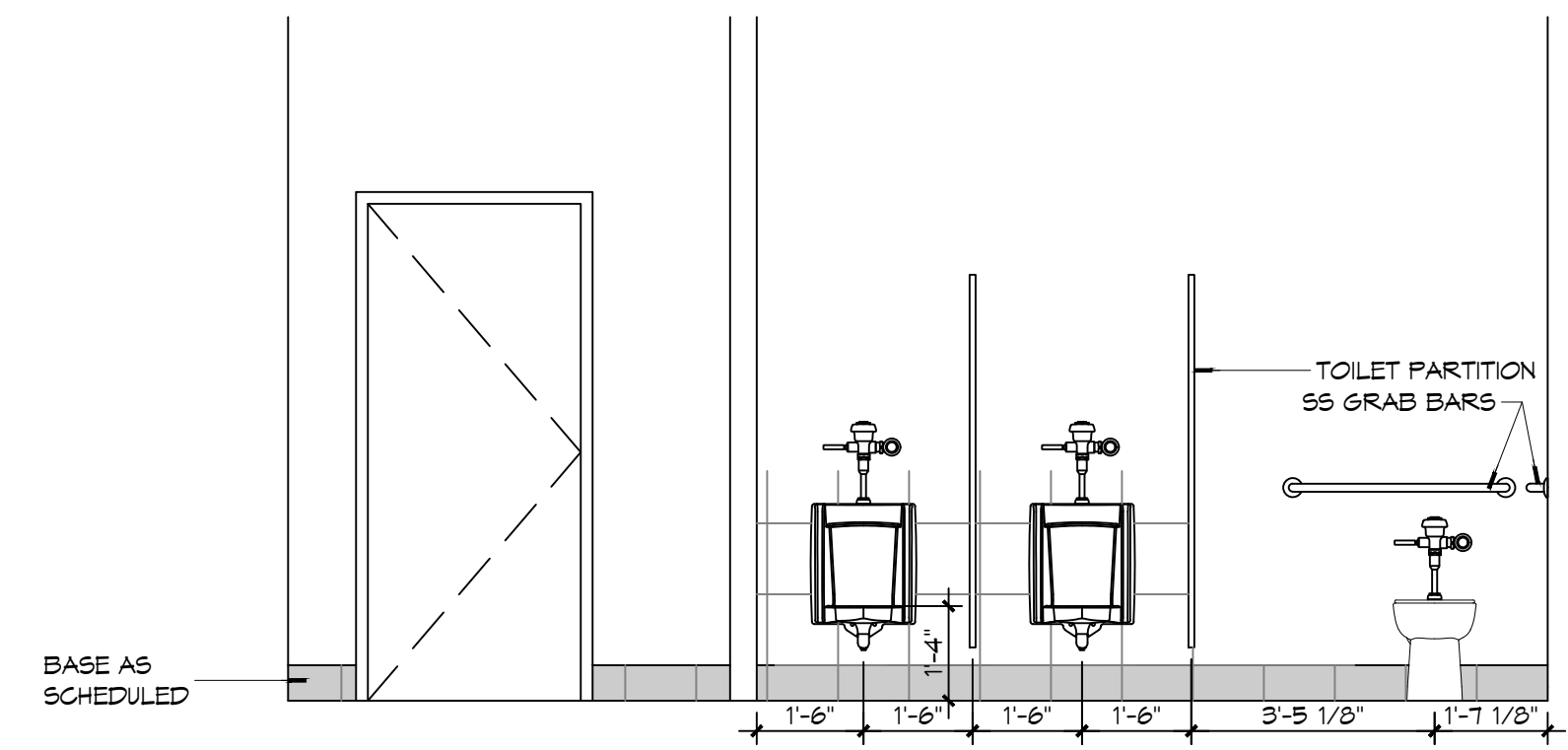
B WOMENS RESTROOM EAST
 A104 | A104 SCALE: 3/8" = 1'-0" WOMENS RESTROOM #1



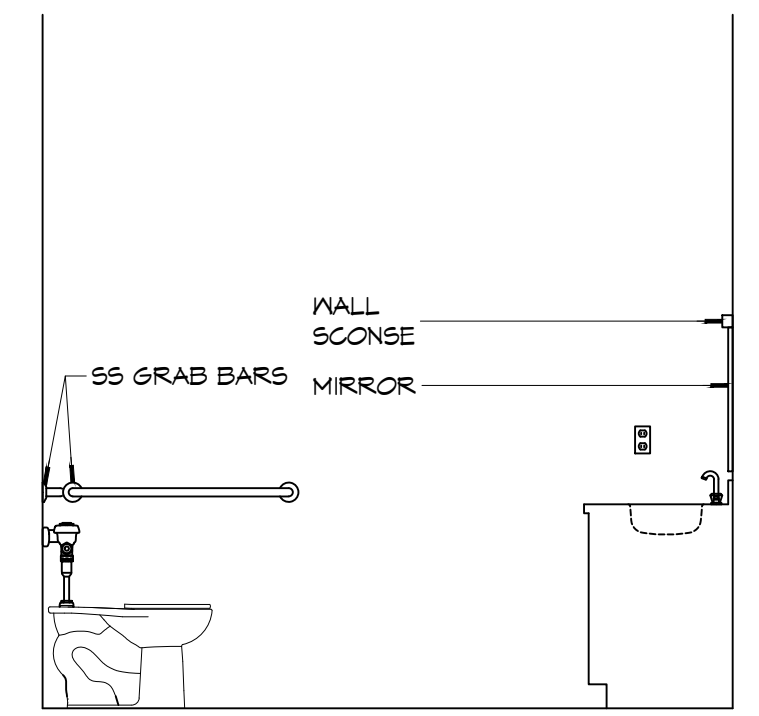
E RESTROOM SOUTH
 A104 | A104 SCALE: 3/8" = 1'-0" RESTROOM #2



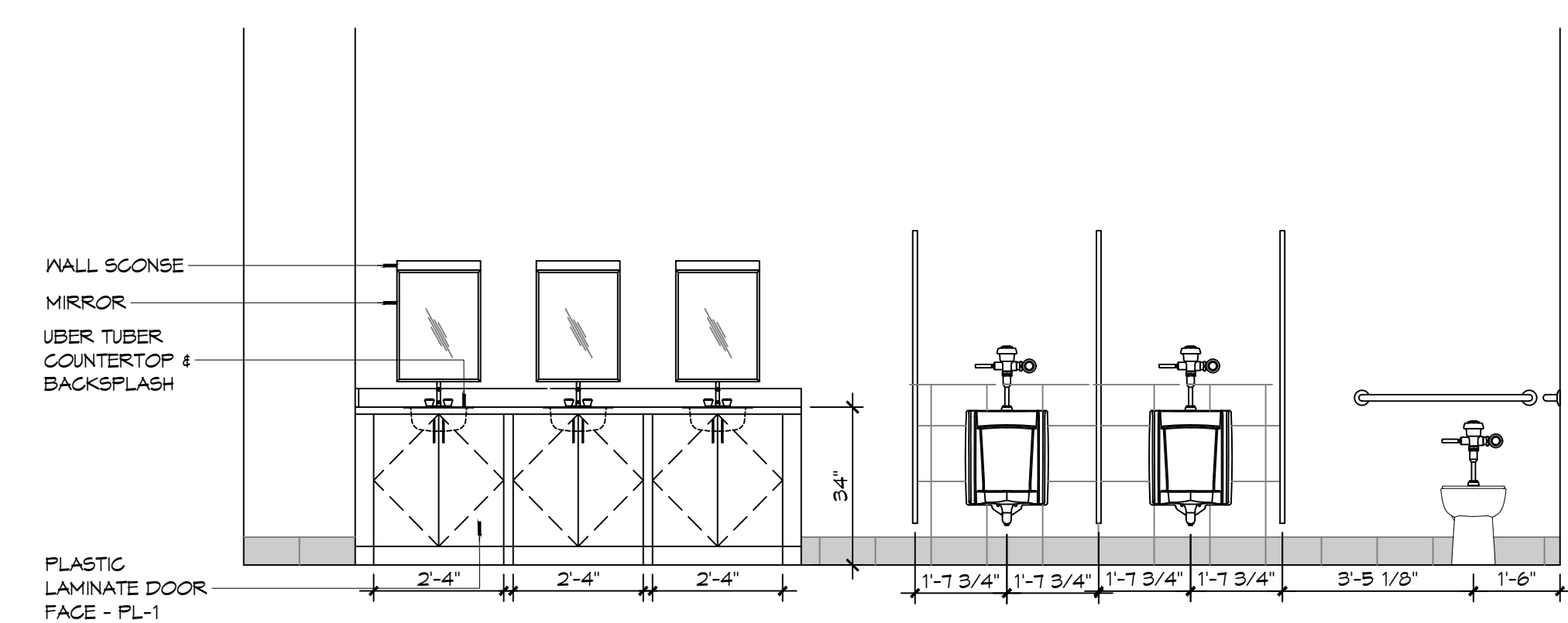
C MENS RESTROOM WEST
 A104 | A104 SCALE: 3/8" = 1'-0" MENS RESTROOM #1



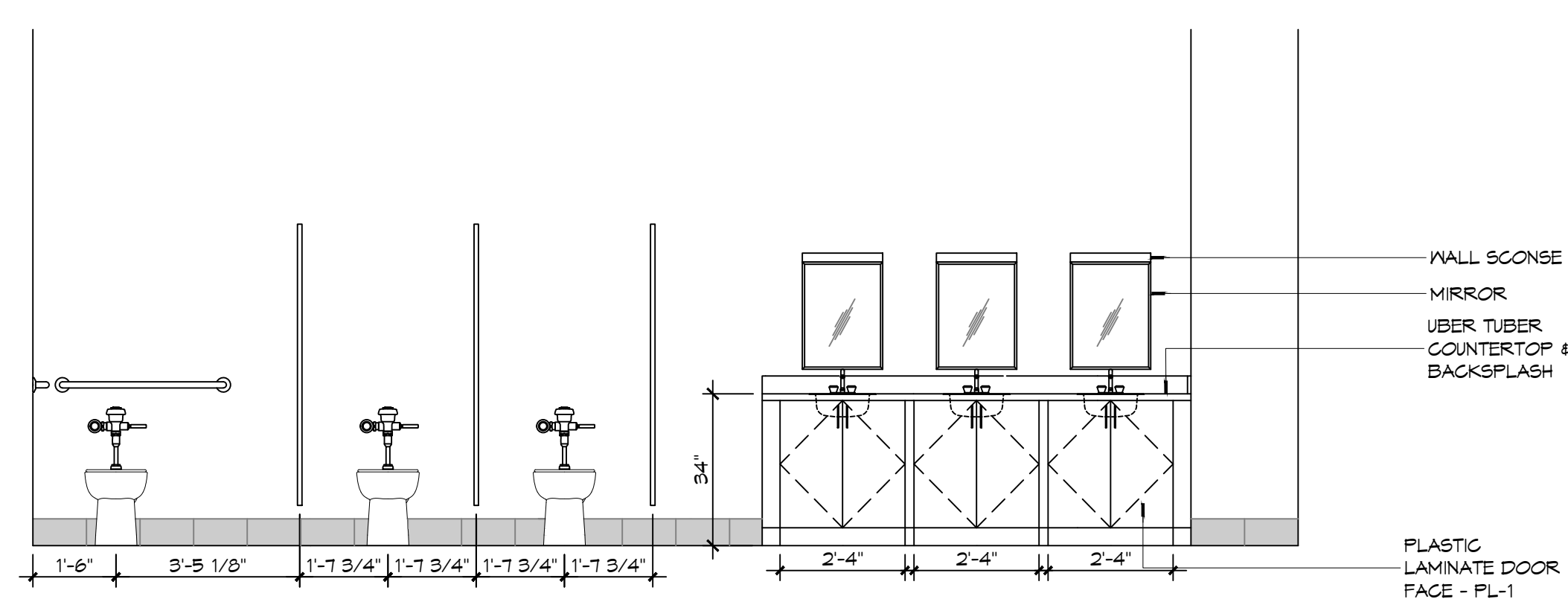
D MENS RESTROOM EAST
 A104 | A104 SCALE: 3/8" = 1'-0" MENS RESTROOM #1



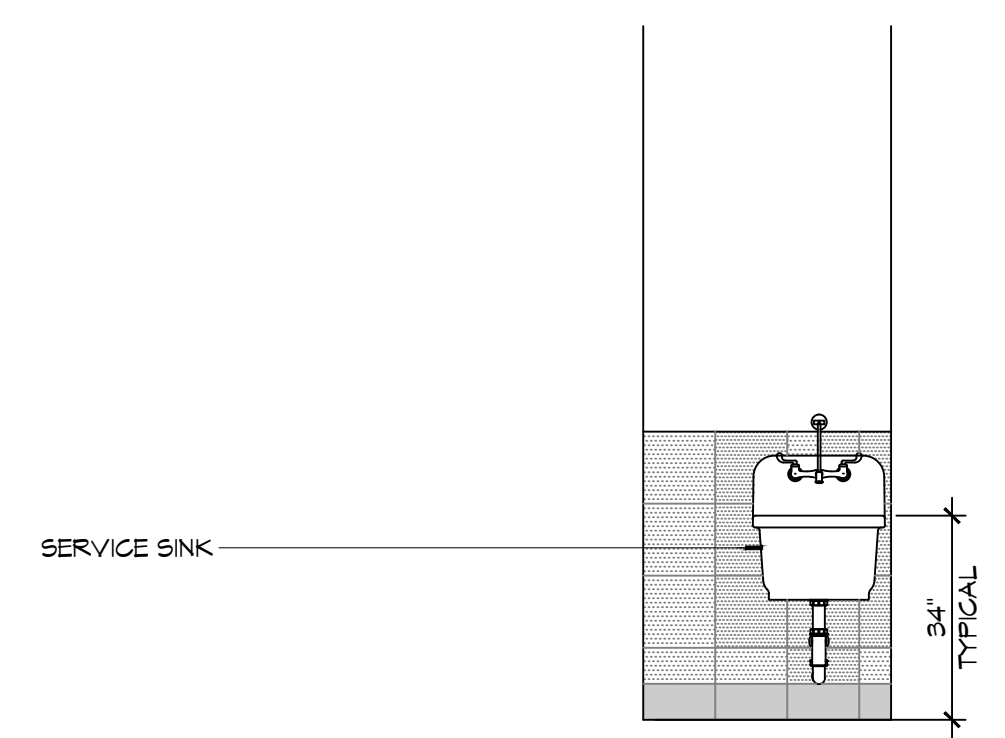
F RESTROOM SOUTH
 A104 | A104 SCALE: 3/8" = 1'-0" RESTROOM #2



G MENS RESTROOM SOUTH
 A104 | A104 SCALE: 3/8" = 1'-0" MENS RESTROOM #2



H WOMENS RESTROOM NORTH
 A104 | A104 SCALE: 3/8" = 1'-0" WOMENS RESTROOM #2



J UTIL. DESIGN EXCEPTION
 A104 | A104 SCALE: 3/8" = 1'-0" INTERIOR ELEVATION

ELEVATION NOTES

- REFER TO SHEET 0003 FOR TYPICAL MOUNTING HEIGHTS AND FLOOR CLEARANCE REQUIREMENTS WHERE NOT SHOWN ON THIS SHEET.
- NOT USED
- PROVIDE 1/8" R EASED EDGES AT ALL EXPOSED GRANITE COUNTERTOP AND BACKSLASH EDGES UNLESS OTHERWISE NOTED.
- BLOCKING FOR CABINETS IS NOT SHOWN ON THESE DRAWINGS. THE GENERAL CONTRACTOR SHALL BE RESPONSIBLE FOR PROVIDING AND COORDINATING WALL BLOCKING FOR CABINETRY. WHERE WOOD BLOCKING IS PROHIBITED BY CODE PROVIDE GALVANIZED SHEET BLOCKING.
- PROVIDE 5/8" CEMENTITIOUS BACKERBOARD BEHIND ALL CERAMIC WALL TILE INSTALLATIONS. WHERE CERAMIC WALL TILE IS APPLIED TO A RATED WALL ASSEMBLY USE TYPE 'X' MOISTURE RESISTANT GYB.
- PROVIDE FULL FINISHED END PANELS ON ALL EXPOSED CASEWORK.
- PROVIDE FILLER PANEL WHERE CASEWORK MEETS WALL. SCRIBE AS NECESSARY TO ACHIEVE TIGHT FIT TO FINISH SURFACE.
- FIELD VERIFY (V/F) ALL DIMENSIONS PRIOR TO SHOP DRAWING SUBMITTAL.
- ELEC OUTLETS INSTALLED AT GRANITE BACK SPLASHES SHALL BE MOUNTED IN A HORIZONTAL ORIENTATION WITH SATIN STAINLESS STEEL PLATE.
- CLEARANCE REDUCTION SYSTEM SHALL COMPLY WITH NFPA 96 4.2.3.
- NOT USED
- SINKS SHOWN ON THESE DRAWINGS INDICATE LOCATIONS ONLY AND NOT ACTUAL SIZES. THE CONTRACTOR SHALL BE RESPONSIBLE FOR COORDINATING ACTUAL SIZES AND TYPES WITH PREFABRICATED CABINET DESIGNER.

DAMMON ENGINEERING, INC.
 LOUISIANA & MISSISSIPPI
 Chief Engineer: Brian Mistich, PE
 www.dammonengineering.com
 info@dammonengineering.com
 554 Old Spanish Trail
 Slidell, LA 70468
 PH: 985.649.5832 F: 985.641.9590

#	DESCRIPTION	DATE
1	Revised Millwork and Counter Tops	8/11/2022



NEW AUDITORIUM
 POPE JOHN HIGH SCHOOL

1901 JAGUAR DR
 SLIDELL, LA 70461
 JOB No: 2522 DATE: 02-18-2026
 DRAWN BY: C&D CHECKED BY: C&D

SHEET TITLE:
 INTERIOR ELEVATIONS
 PLAN

DRAWING NUMBER:
A104