

### SHOWER RECEPTOR

# K-9569

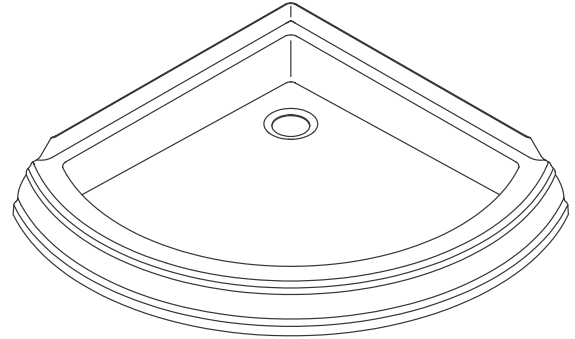
#### FEATURES

- 35" x 35"
- Acrylic
- Reinforced with fiberglass
- Molded-in textured bottom

#### CODES/STANDARDS APPLICABLE

Specified model meets or exceeds the following:

- ANSI Z124.2



#### COLORS/FINISHES

- 0 White
- Other Refer to Fixtures Price Book for additional colors

#### Accessories:

- CP Polished Chrome
- PB Polished Brass
- SH Bright Silver
- BH Bright Brass
- Other Refer to Faucets Price Book for additional colors

#### SPECIFIED MODEL:

Model	Description	Module Colors/Finishes	
K-9569	Shower receptor	<input type="checkbox"/> 0 White	<input type="checkbox"/> Other_____

Recommended Accessory				
K-9132	Drain	<input type="checkbox"/> CP	<input type="checkbox"/> PB	<input type="checkbox"/> Other_____

Optional Accessories				
K-705250-L	Arica™ shower enclosure with crystal clear glass	<input type="checkbox"/> SH	<input type="checkbox"/> BH	<input type="checkbox"/> 0-White

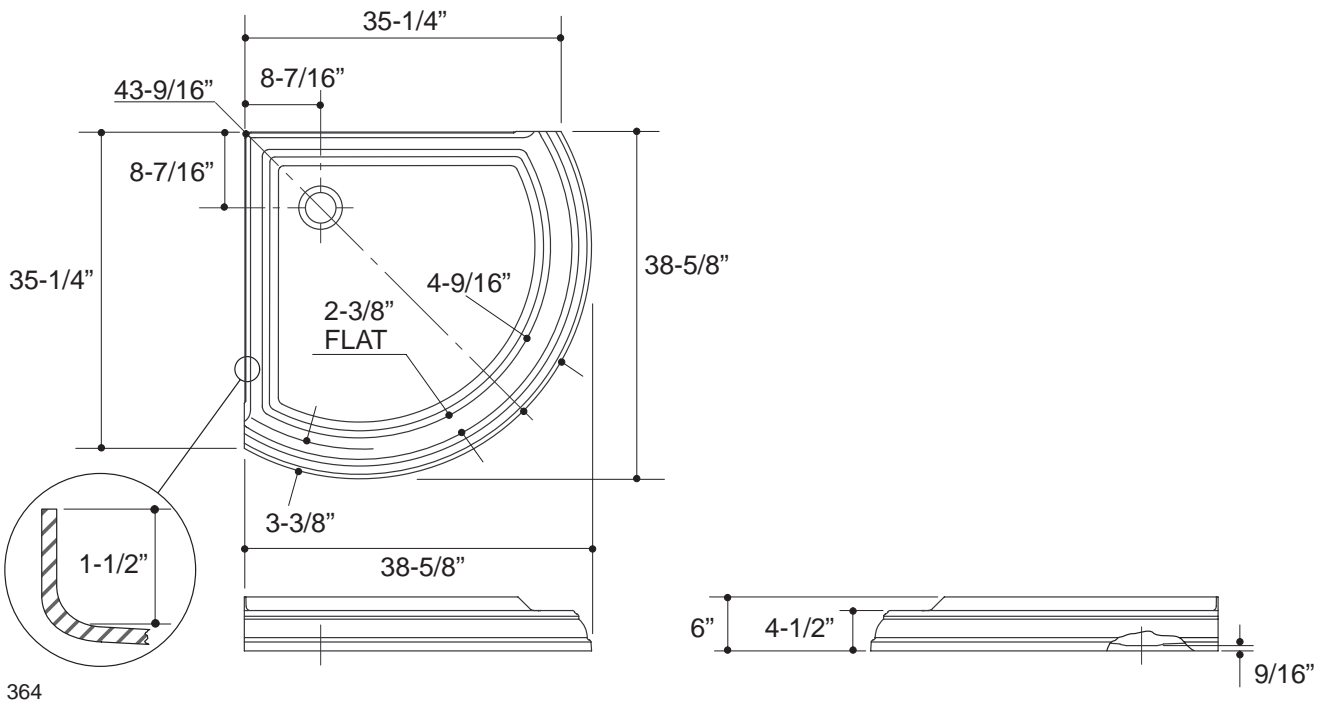
#### PRODUCT SPECIFICATION:

The shower receptor shall be 35" in length and 35" in width. Shower receptor shall be made of acrylic reinforced with fiberglass. Shower receptor shall have molded-in textured bottom. Shower receptor shall be Kohler Model K-9569-\_\_\_\_\_.

# MEMOIRS™

## PRODUCT INFORMATION

Fixture:	
Weight	35 lbs.
Configuration	1-piece
Drain Outlet	3-3/8" D.



364

## PRODUCT DIAGRAM