

**Ordering Information**

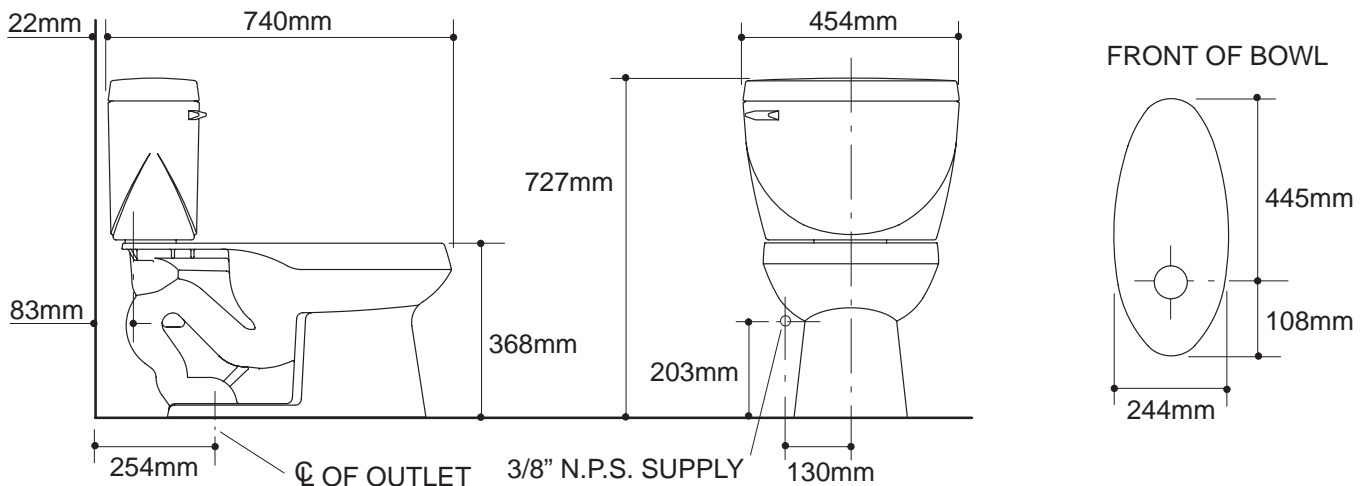
Applicable toilet:		
With standard tank	K-3478	shown
With insuliner tank	K-3478-U	not shown
Accessories/hardware:		
3/8" supply	K-7637	recommended
Floor bolts (pr.)	21401	recommended
Seat, French Curve	K-4653	recommended

**Product Information**

Fixture:	
Configuration	2-piece, elongated
Litres per flush	6 litres
Passageway	51mm
Water area	283 x 241mm
Water depth from rim	152mm
Seat post hole centers	140mm
Included Components:	
Bowl	K-4273
Tank	K-4605
Tank cover	85314
Trip lever	K-9408

**Roughing-In Notes**

Fixture dimensions are nominal and conform to tolerances in ASME Standard A112.19.2M.



116