

Ordering Information

Applicable product:		
Drainboard on right	K-3326R-3	shown
Drainboard on left	K-3326L-3	not shown
Accessories/hardware:		
ProMaster™ faucet	K-6330	recommended

Product Information

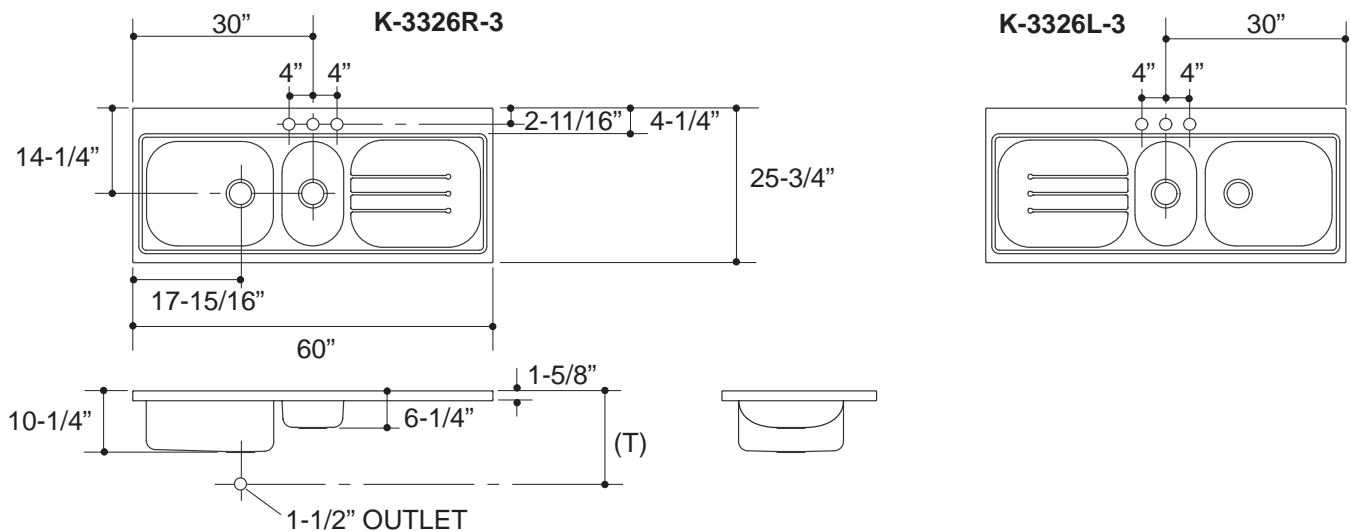
Fixture*:		basin area	water depth
Sink		21" x 18"	9-1/4"
Disposal		11" x 18"	5-1/4"
Drainboard		21" x 18"	
Outlets	3-5/8" D.		
Faucet holes	1-3/8" D.		

* Approximate measurements for comparison only.

Included components:	
Installation hardware	87357
Cutting board	87365
Wire rack	87366
Wire basket	87360
Rinse tray	87367

Installation Notes

Refer to installation instructions included with fixture before beginning installation.



Roughing-In Notes
Fixture dimensions are nominal and conform to tolerances in ASME/ANSI Standard A112.19.3M.
For disposal unit, consult supplier for roughing-in measurements.
(T) Drain 15-5/8".