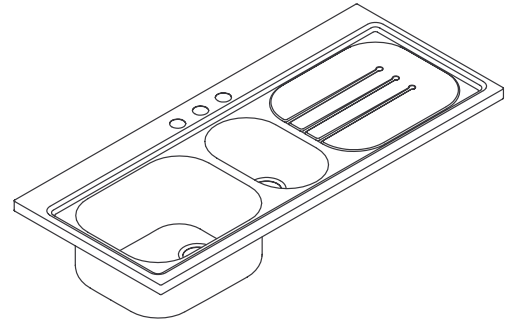


### FEATURES

- 60" x 25-3/4"
- 18 gauge Stainless Steel
- 3-hole drilling
- Double compartment with smaller disposal basin
- Flush-mount



### CODES/STANDARDS APPLICABLE

Specified model meets or exceeds the following:

- ASME/ANSI A112.19.3M
- IAPMO/UPC
- Canadian Standards Association (CSA)

### COLORS/FINISHES

- NA None Applicable

#### Accessories:

- CP Polished Chrome

### SPECIFIED MODEL:

Model	Description	Colors/Finishes
K-3326R-3	3-hole sink with drainboard on right	<input type="checkbox"/> NA
K-3326L-3	3-hole sink with drainboard on left	<input type="checkbox"/> NA
Recommended Accessories		
K-6330	ProMaster™ faucet	<input type="checkbox"/> CP

### PRODUCT SPECIFICATION:

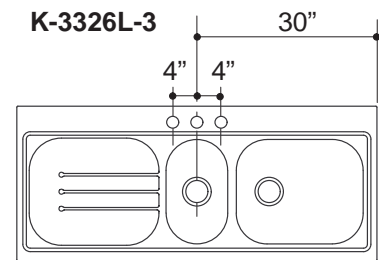
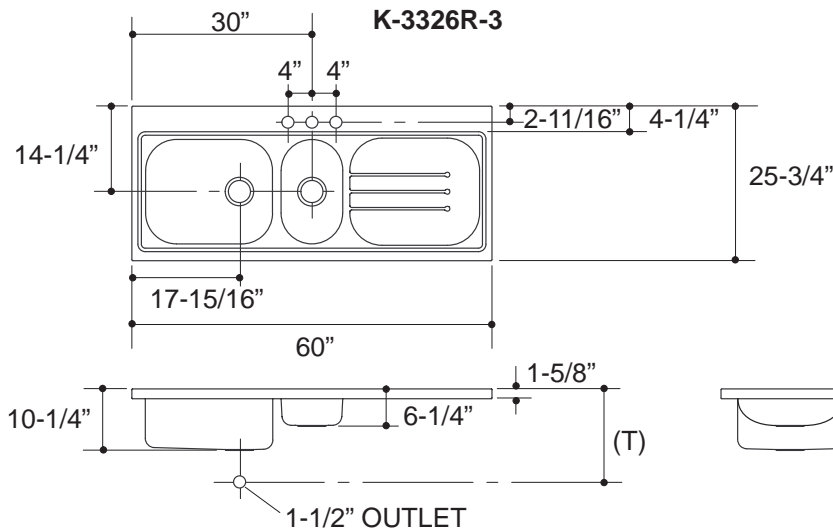
The flush-mount sink shall be 60" in length, and 25-3/4" in width. Sink shall be 3-hole drilling. Sink shall be made of 18 gauge stainless steel. Sink shall be double compartment with smaller disposal basin. Sink shall be Kohler Model K-3326\_\_\_\_-\_\_\_\_.

# PRO TASKCENTER™

## PRODUCT INFORMATION

Fixture*:		basin area	water depth
Sink		21" x 18"	9-1/4"
Disposal		11" x 18"	5-1/4"
Drainboard		21" x 18"	
Outlets	3-5/8" D.		
Faucet holes	1-3/8" D.		

Included components:	
Installation hardware	87357
Cutting board	87365
Wire rack	87366
Wire basket	87360
Rinse tray	87367



### Roughing-In Notes

For disposal unit, consult supplier for roughing-in measurements.

(T) Drain 15-5/8".

## PRODUCT DIAGRAM