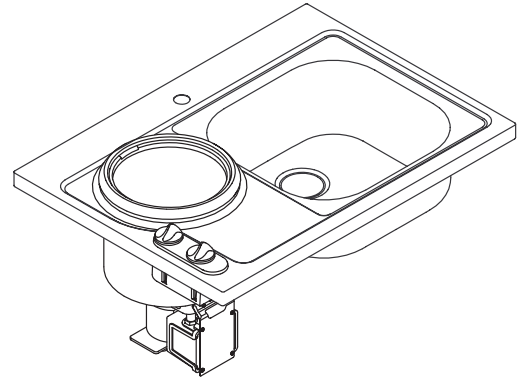


FEATURES

- 36" x 25-3/4"
- 18 gauge Stainless Steel
- Single-hole drilling
- Double compartment with smaller basin for cooking vessel
- Full countertop installation on 36" base cabinet



CODES/STANDARDS APPLICABLE

Specified model meets or exceeds the following:

- ASME/ANSI A112.19.3M
- IAPMO/UPC
- Underwriters Laboratories (UL) Listed
- Canadian Standards Association (CSA)

COLORS/FINISHES

- NA None Applicable

Accessories:

- CP Polished Chrome

SPECIFIED MODEL:

Model	Description	Colors/Finishes
K-3309-1	Single-hole sink	<input type="checkbox"/> NA
Recommended Accessories		
K-6340-BP	ProAvatar™ faucet	<input type="checkbox"/> CP

PRODUCT SPECIFICATION:

The sink shall be 36" in length, and 25-3/4" in width. Sink shall be made of 18 gauge stainless steel. Sink shall be single-hole drilling. Sink shall be double compartment with smaller basin for cooking vessel. Sink shall be full countertop installation on 36" base cabinet. Sink shall be Kohler Model K-3309-1.

PRO COOKCENTER™

REQUIRED ELECTRICAL SERVICE

Ground-Fault Circuit-Interrupter (GFCI) protection is recommended. Follow all local electrical codes.

Junction box	240 V., 15 A., 60 Hz
--------------	----------------------

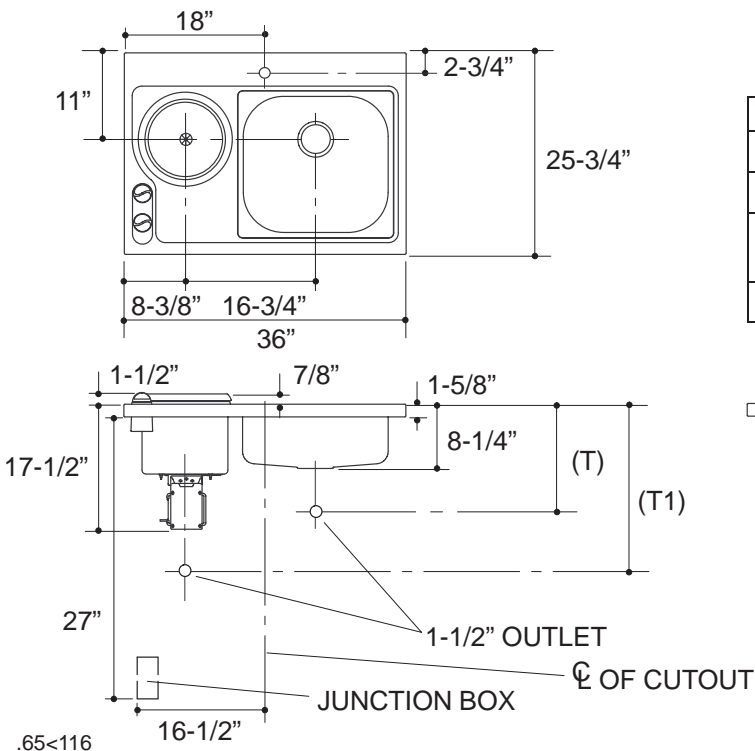
PRODUCT INFORMATION

Fixture*:	Outlet	basin area	water depth
Sink, small	1" D.	9-1/2" D.	6-1/2 quart
Sink, large	3-7/8" D.	19" x 18"	7-3/4"
Faucet and spout holes	1-3/8" D.		

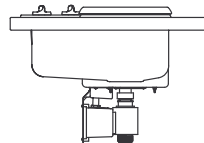
* Approximate measurements for comparison only.

Cooking vessel rating:	240V., 7 A., 60 Hz
------------------------	--------------------

Included components:	
Installation hardware	87357
Home owners guide	86565-5
Cook book	85641
Trim kit	86574
Wire basket	87360
Cutting board	87359
Cookware set	97590



Roughing-In Notes
(T) Drain 13-5/8".
(T1) Drain 21".
Spout must be 9" long (min.) and 13-7/8" high (min.) for adequate clearance into basins.
36" minimum base cabinet required.



PRODUCT DIAGRAM