

Ordering Information

Accessories/hardware:		
ProAvatar™ faucet	K-6340-BP	recommended

Required Electrical Service

Ground-Fault Circuit-Interrupter (GFCI) protection is recommended. Follow all local electrical codes.	
Junction box	120/240 V., 15 A., 60 Hz, 3-wire with ground.

Product Information

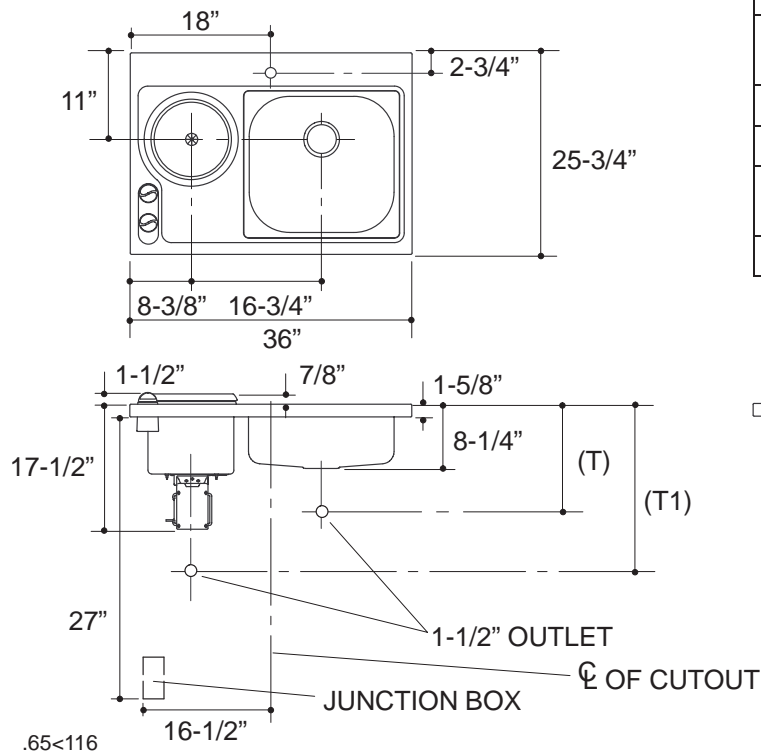
Fixture*:	Outlet	basin area	water depth
Cooking vessel	1" D.	9-1/2" D.	6-1/2 quart
Sink, large	3-7/8" D.	19" x 18"	7-3/4"
Faucet and spout holes	1-3/8" D.		
* Approximate measurements for comparison only.			
Cooking vessel rating:	120/240V., 2300 W., 60 Hz, 3-wire with ground.		

Product Information continued

Included components:	
Installation hardware	87357
Home owners guide	86565-5
Cook book	85641
Trim kit	86574
Wire basket	87360
Cutting board	87359
Cookware set	97590

Installation Notes

Refer to installation instructions included with fixture before beginning installation.



Roughing-In Notes
Fixture dimensions are nominal and conform to tolerances in ASME/ANSI Standard A112.19.3M.
(T) Drain 13-5/8".
(T1) Drain 21".
Spout must be 9" long (min.) and 13-7/8" high (min.) for adequate clearance into basins.
36" minimum base cabinet required.

